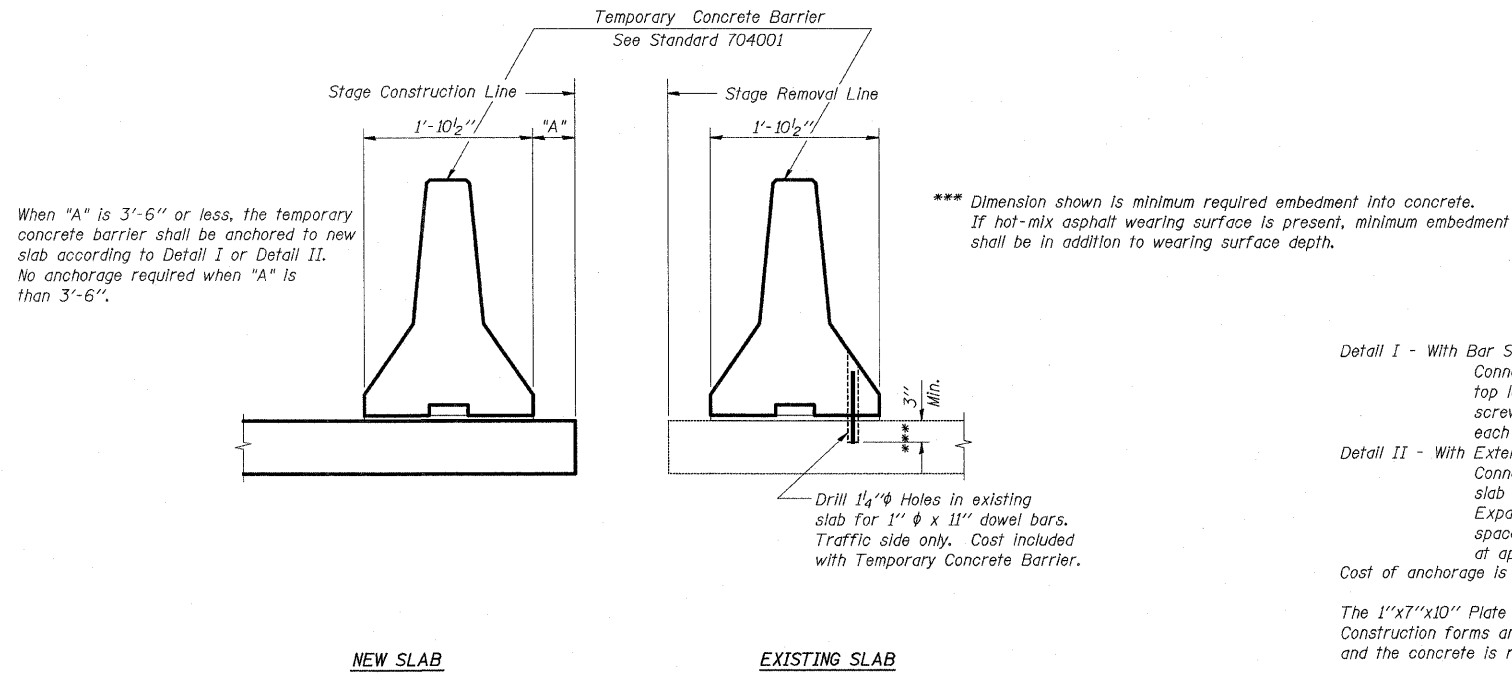
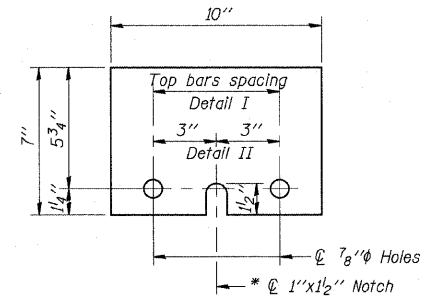
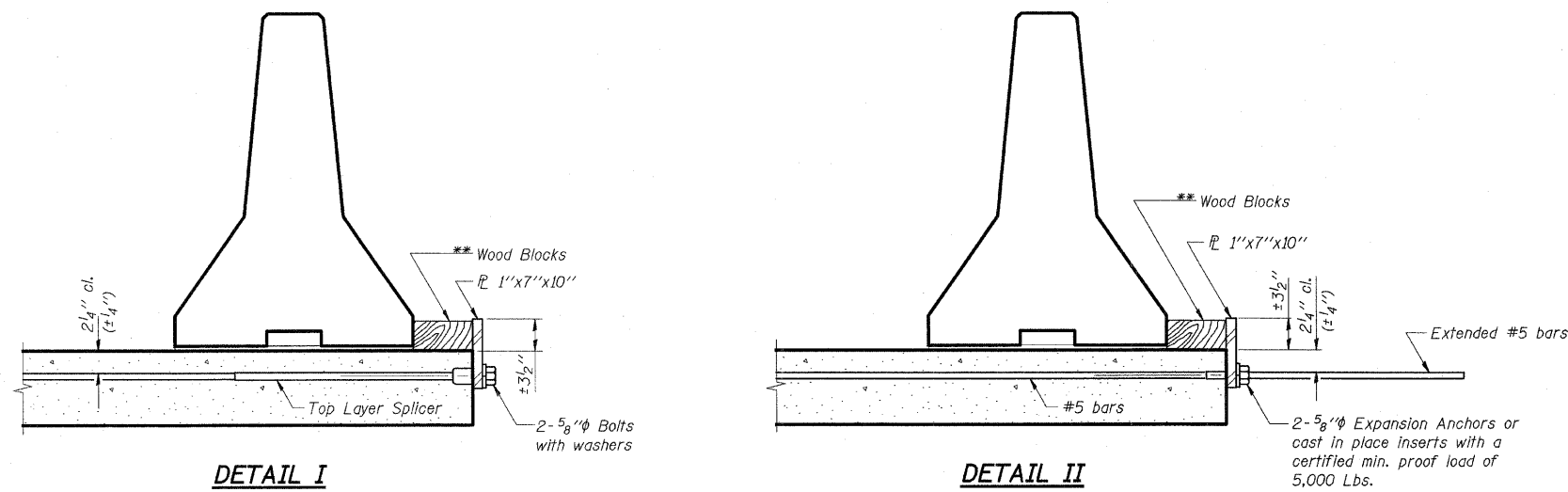


F.A.I. RTE.	SECTION	COUNTY	TOTAL SHEETS	SHEET NO.
90	1414B	COOK	74	32
FED. ROAD DIST. NO. 7		ILLINOIS FED. AID PROJECT		

CONTRACT NO. 60384



SECTIONS THRU SLAB



NOTES

Detail I - With Bar Splicer or Couplers:
Connect one (1) 1" x 7" x 10" steel plate to the top layer of couplers with 2-5/8" ϕ bolts screwed to coupler at approximate ϕ of each barrier panel.

Detail II - With Extended Reinforcement Bars:
Connect one (1) 1" x 7" x 10" steel plate to the concrete slab or concrete wearing surface with 2-5/8" ϕ Expansion Anchors or cast in place inserts spaced between the top layer of reinforcement at approximate ϕ of each barrier panel.

Cost of anchorage is included with Temporary Concrete Barrier.

The 1" x 7" x 10" Plate shall not be removed until Stage II Construction Forms and all reinforcement bars are in place and the concrete is ready to be placed.

** Wood blocks may be omitted when required to provide minimum stage traffic lane width. When the wood blocks are omitted, the concrete barrier shall be in direct contact with the steel retainer plate.

REVISIONS	
NAME	DATE

ILLINOIS DEPARTMENT OF TRANSPORTATION
TEMPORARY BARRIER FOR STAGE CONSTRUCTION
 FA ROUTE 173 (SAYRE AVENUE) OVER INTERSTATE 90 (KENNEDY EXPRESSWAY)
 COOK COUNTY STATION 8+02.48
 STRUCTURE NO. 016-1104
 SCALE: NONE DRAWN BY: R. Clinton
 DATE: DEC. 2007 CHECKED BY: G. Hatlestad