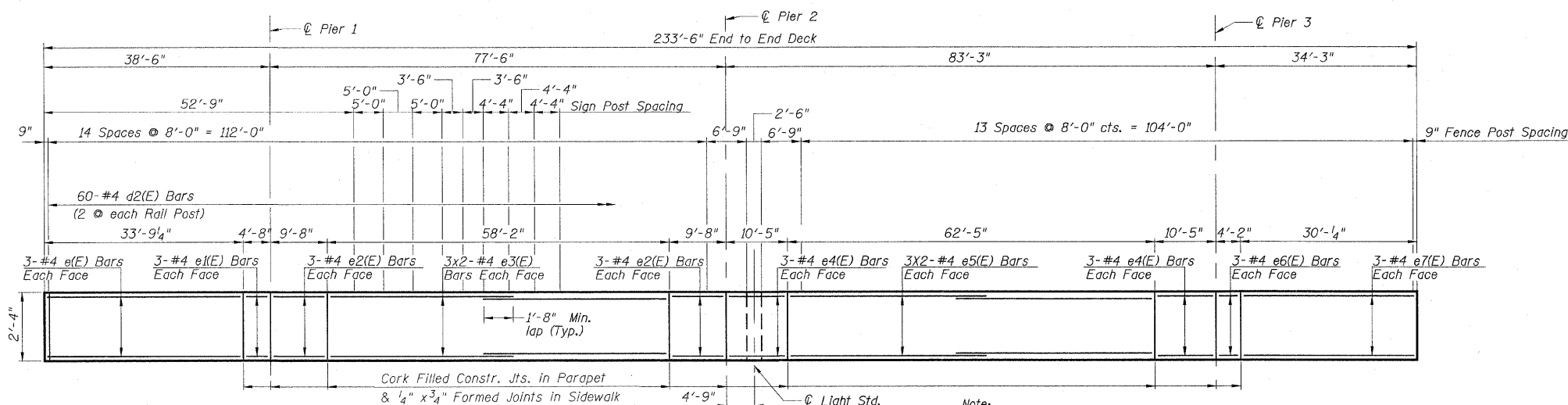


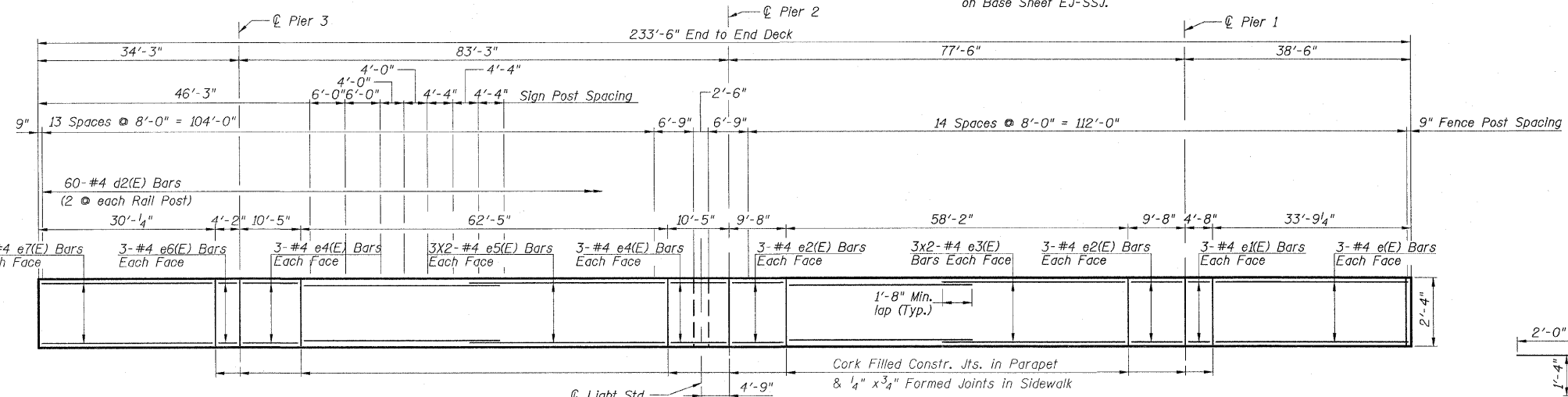
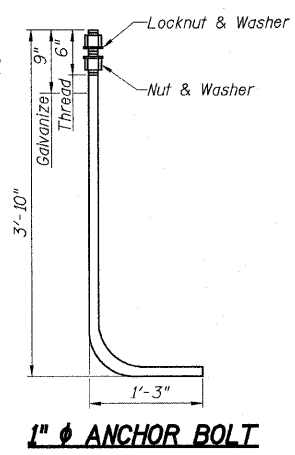
**SUPERSTRUCTURE  
 BILL OF MATERIALS**

Bar	No.	Size	Length	Shape
a(E)	702	5	32'-0"	
a1(E)	548	5	32'-0"	
a3(E)	24	7	32'-0"	
a4(E)	90	6	5'-7"	
a5(E)	128	5	2'-0"	
b(E)	672	5	30'-7"	
b1(E)	64	6	32'-2"	
b2(E)	128	6	33'-4"	
b3(E)	128	6	35'-5"	
b4(E)	364	5	30'-7"	
b5(E)	104	5	16'-2"	
c(E)	468	5	2'-5"	
c1(E)	468	5	7'-1"	
d(E)	468	4	5'-2"	
d1(E)	468	6	4'-4"	
d2(E)	120	4	2'-0"	
d3(E)	6	6	4'-7"	
d4(E)	10	6	8'-11"	
e(E)	12	4	33'-5"	
e1(E)	12	4	4'-4"	
e2(E)	24	4	9'-4"	
e3(E)	24	4	29'-9"	
e4(E)	24	4	10'-1"	
e5(E)	24	4	31'-10"	
e6(E)	12	4	3'-10"	
e7(E)	12	4	29'-8"	
m(E)	108	4	5'-7"	
m1(E)	54	6	4'-6"	
m2(E)	30	8	5'-10"	
s(E)	36	4	11'-6"	
s1(E)	72	4	11'-2"	
x(E)	200	6	7'-6"	
Concrete Superstructure		Cu. Yd.	589.0	
Reinforcing Bars, Epoxy Coated		Pound	111,230	
Bar Splicers		Each	665	
Protective Coat		Sq. Yd.	1,837	
Bridge Deck Grooving		Sq. Yd.	1,243	



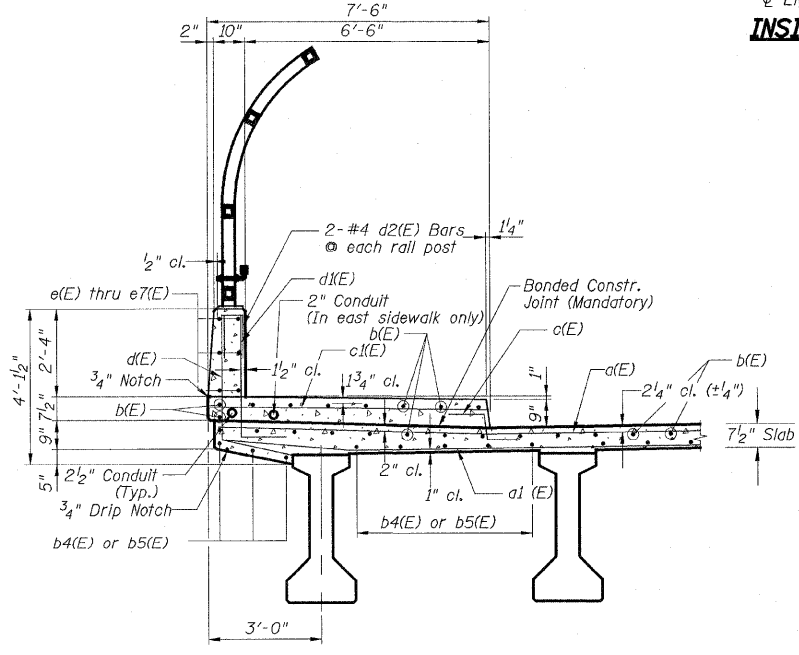
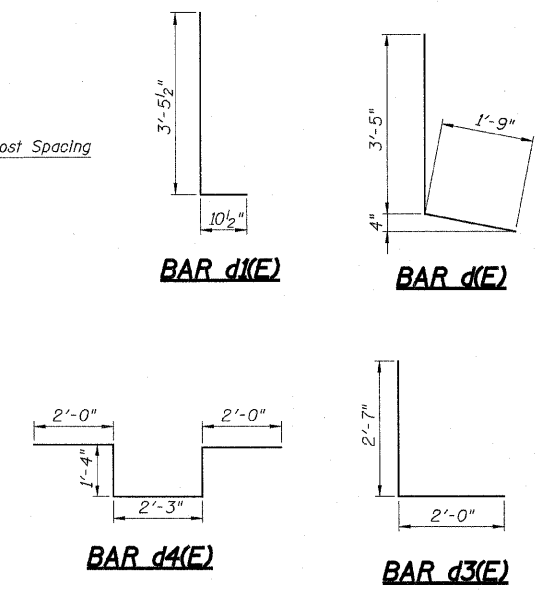
**INSIDE ELEVATION OF EAST PARAPET**

Note: Dimensions are based on a Rolled Rail Strip Seal Joint. If the contractor elects to use the Welded Rail Strip Seal Joint, the dimensions may require adjustments to satisfy the details on Base Sheet EJ-SSJ.

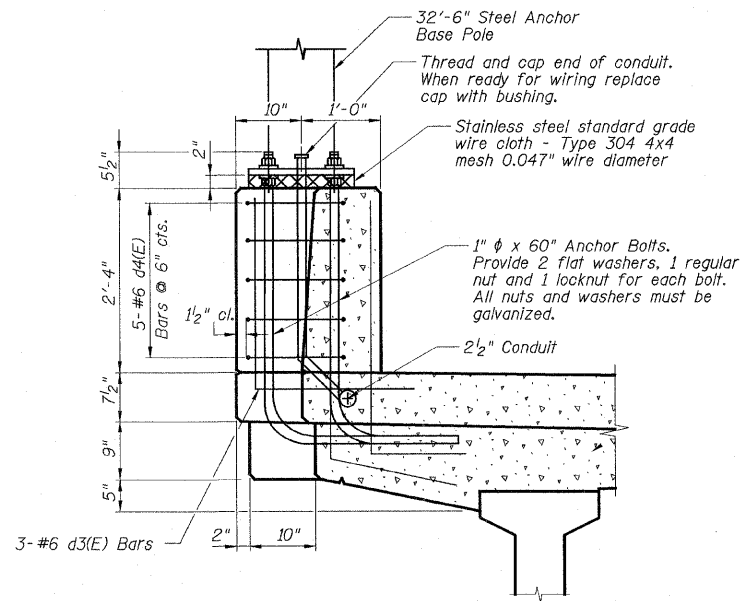


**INSIDE ELEVATION OF WEST PARAPET**

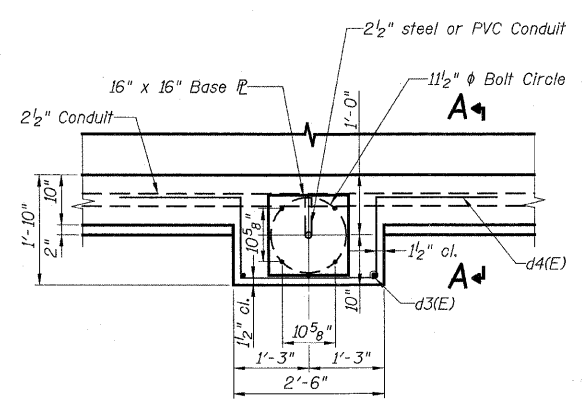
Note: Dimensions are based on a Rolled Rail Joint. If the contractor elects to use the Welded Rail Joint, the dimensions may require adjustments to satisfy the details on Sheet S10.



**SECTION THROUGH WALKWAY & PARAPET**

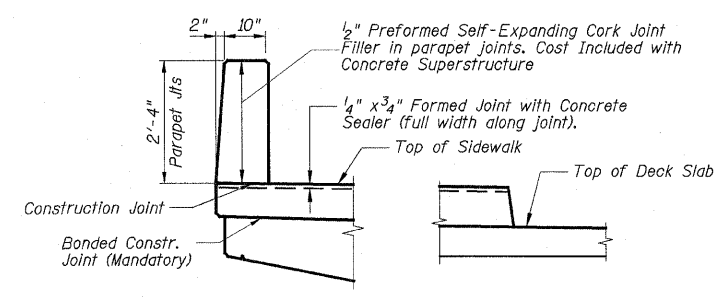


**SECTION A-A**



**LIGHT POLE MOUNTINGS PLAN**

Note: Cost of anchor bolts & conduit is included with Concrete Superstructure.



**PARAPET JOINT DETAILS**

REVISIONS	
NAME	DATE