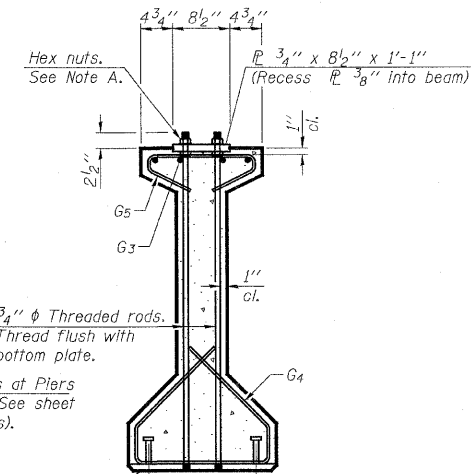


**ELEVATION OF BEAM**  
(Showing reinforcement & dimensions)

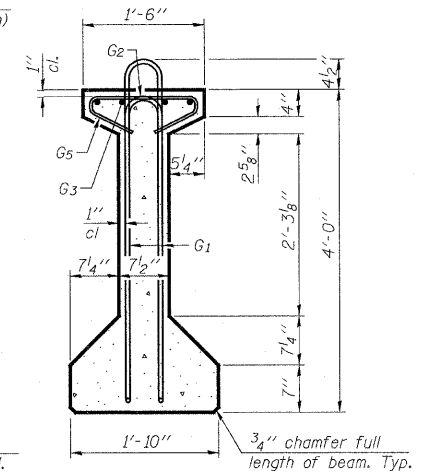
\* 3 spaces at 3" = 9".  
\*\* 4- 3/4" φ threaded rods at 3" cts., each face.

Note A:  
Hex nuts (top and bottom) with lock washers (top). Only tighten sufficiently to compress lock washers.

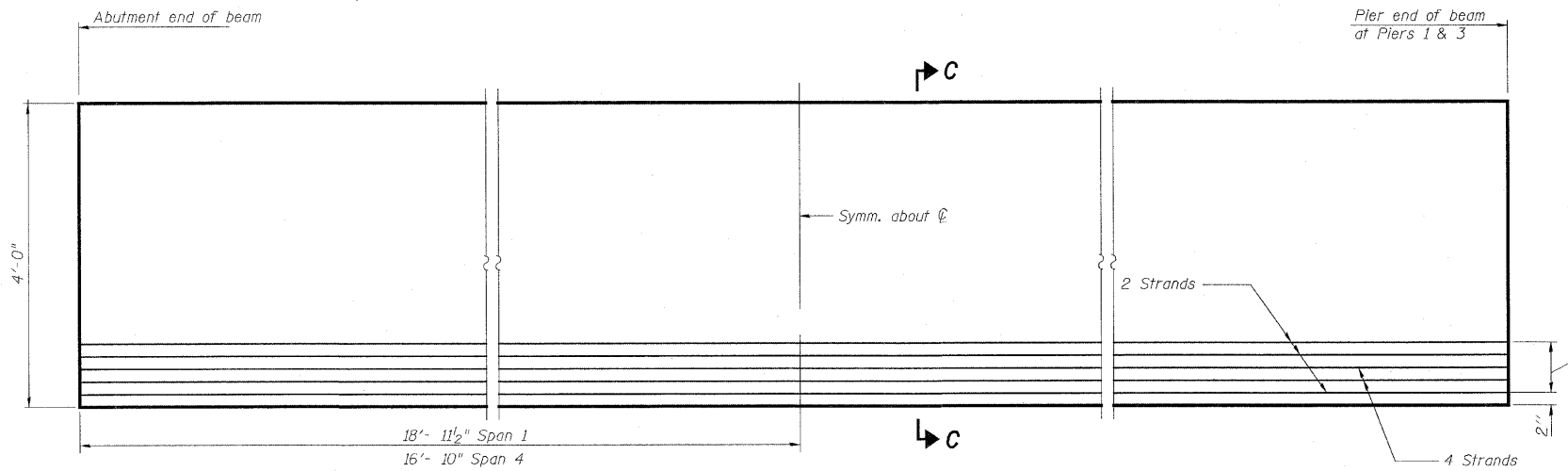
2- #8 G<sub>6</sub> bars at Piers 1 & 3 only. (See sheet S14 for details).  
1" x 1'-0 3/4" x 1'-10" at abutment.  
1" x 1'-1 1/2" x 1'-10" at pier. (Bevel to match chamfer).  
3/4" φ x 4" Studs automatically end welded. (Space to miss strands).



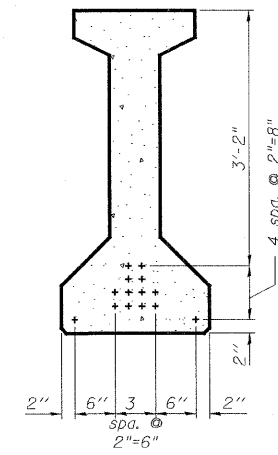
**SECTION A-A**



**SECTION B-B**



**ELEVATION OF BEAM**  
(Showing prestressing steel)



**SECTION C-C**

Notes:  
See sheet S14 for additional details.  
Required release strength, f'ci, shall be 5000 psi.

**\*\*\* SPAN 1 BAR LIST  
ONE BEAM ONLY**

Bar	No.	Size	Length	Shape
G <sub>1</sub>	39	#4	9'-6"	∩L
G <sub>2</sub>	12	#4	7'-11"	∩
G <sub>3</sub>	4	#7	37'-7"	—
G <sub>4</sub>	38	#3	5'-3"	∩
G <sub>5</sub>	38	#3	2'-9"	∩
G <sub>6</sub>	2	#8	3'-9"	∩

\*\*\* For information only

**\*\*\* SPAN 4 BAR LIST  
ONE BEAM ONLY**

Bar	No.	Size	Length	Shape
G <sub>1</sub>	35	#4	9'-6"	∩L
G <sub>2</sub>	12	#4	7'-11"	∩
G <sub>3</sub>	4	#7	33'-3"	—
G <sub>4</sub>	38	#3	5'-3"	∩
G <sub>5</sub>	34	#3	2'-9"	∩
G <sub>6</sub>	2	#8	3'-9"	∩

\*\*\* For information only

**BILL OF MATERIAL**

Item	Unit	Total
Furnishing and Erecting Precast Prestressed Concrete I-Beams, 48"	Ft.	716

REVISIONS	
NAME	DATE

ILLINOIS DEPARTMENT OF TRANSPORTATION  
PRESTRESSED BEAM DETAILS  
SPANS 1 & 4  
FA ROUTE 173 (SAYRE AVENUE) OVER  
INTERSTATE 90 (KENNEDY EXPRESSWAY)  
COOK COUNTY STATION 8+02.48  
SECTION 267-1414-15D  
STRUCTURE NO. 016-1104  
SCALE: NONE DRAWN BY: R. Clinton  
DATE: DEC. 2007 CHECKED BY: G. Hatlestad