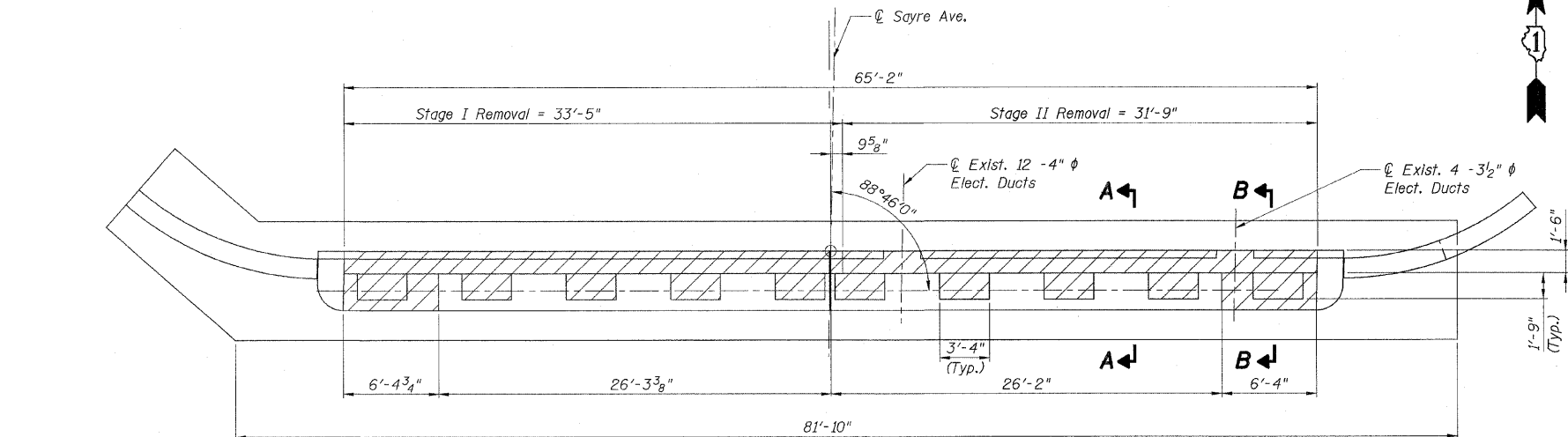
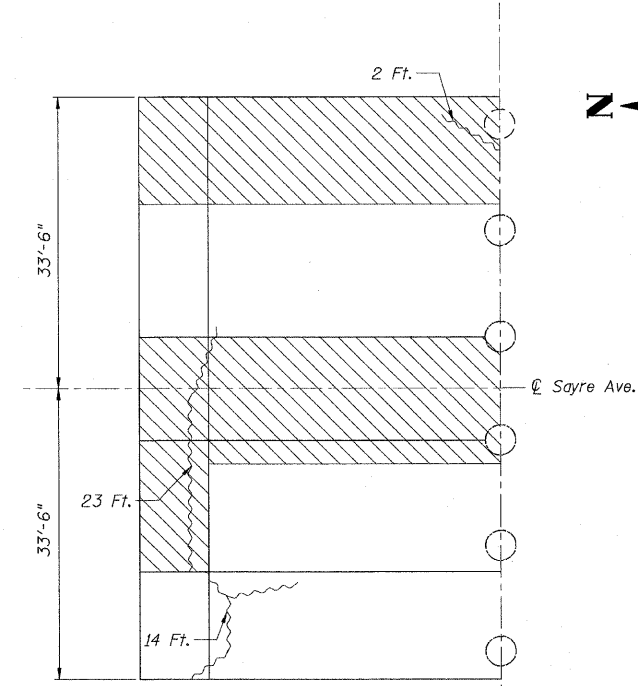


ELEVATION
(Looking North)

* Measured Along Back of Abutment



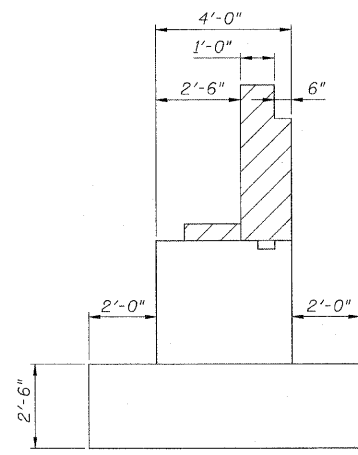
PLAN



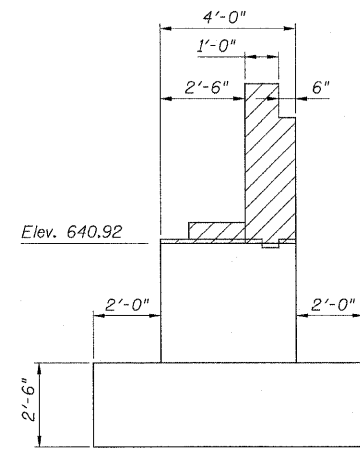
SLOPEWALL PLAN

Notes:
Sawout existing abutment backwall at stage removal line before removing existing backwall.
Existing reinforcement extending into new construction shall be cleaned, straightened, and incorporated into new construction. Cost shall be included with Concrete Removal.
Existing reinforcement not extending into new construction shall be cut off and covered with a 2" layer of cement grout. Cost shall be included with Concrete Removal.

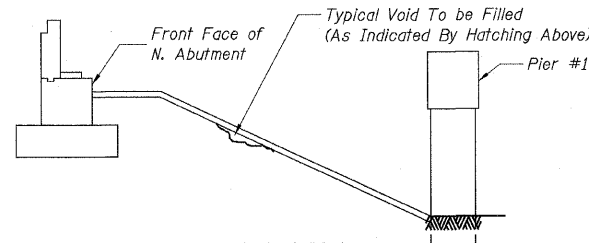
LEGEND:
 - Indicates limits of Concrete Removal
 - Indicates limits of Epoxy Crack Injection
 - Indicates limits of Slope Wall Slurry Pumping



SECTION A-A



SECTION B-B



ELEVATION
North Slope Wall

BILL OF MATERIALS

ITEM	UNIT	QUANTITY
Epoxy Crack Injection	Foot	52.3
Concrete Removal	Cu. Yd.	15.3
Slope Wall Slurry Pumping	Cu. Yd.	7.4
Structure Excavation	Cu. Yd.	77

* See Special Provisions

REVISIONS	
NAME	DATE

ILLINOIS DEPARTMENT OF TRANSPORTATION
 NORTH ABUTMENT REMOVAL
 FA ROUTE 173 (SAYRE AVENUE) OVER
 INTERSTATE 90 (KENNEDY EXPRESSWAY)
 COOK COUNTY STATION 8+02.48
 SECTION 267-1414-15D
 STRUCTURE NO. 016-1104

SCALE: NONE
 DATE: DEC. 2007
 DRAWN BY: R. Clinton
 CHECKED BY: G. Hatlestad