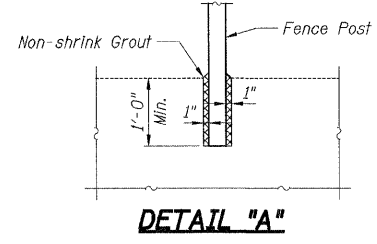
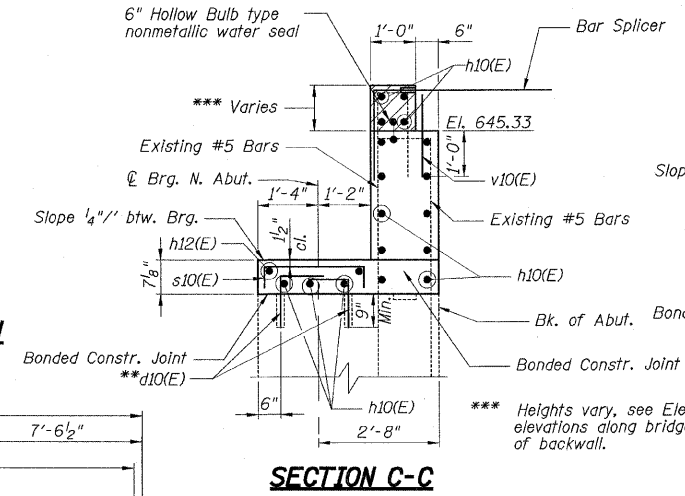
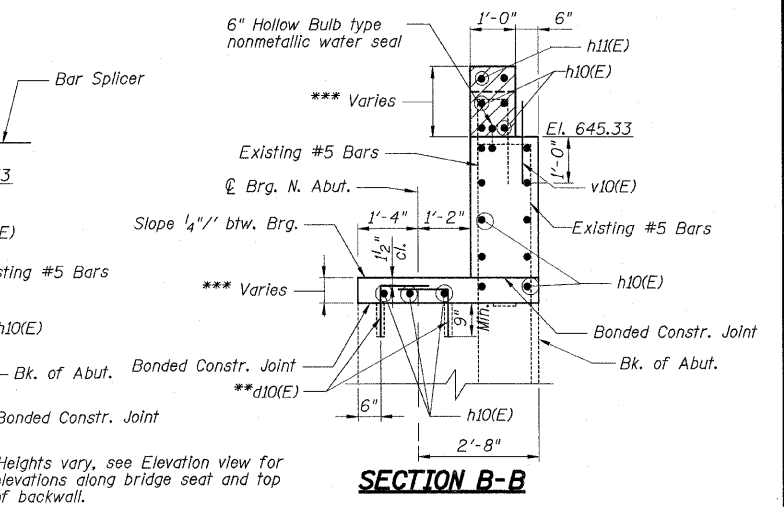
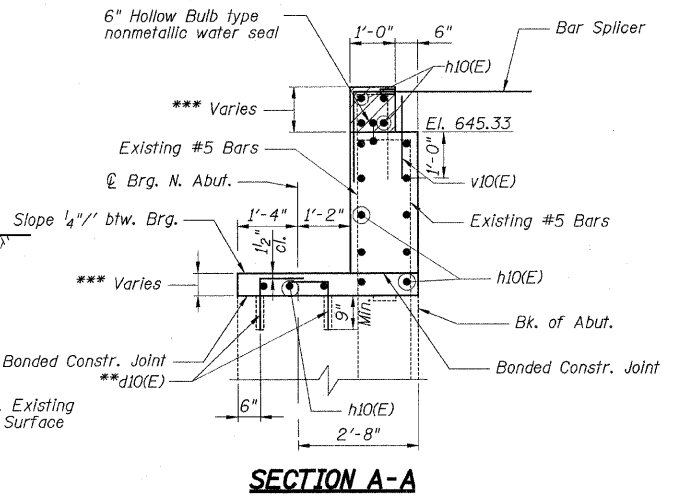
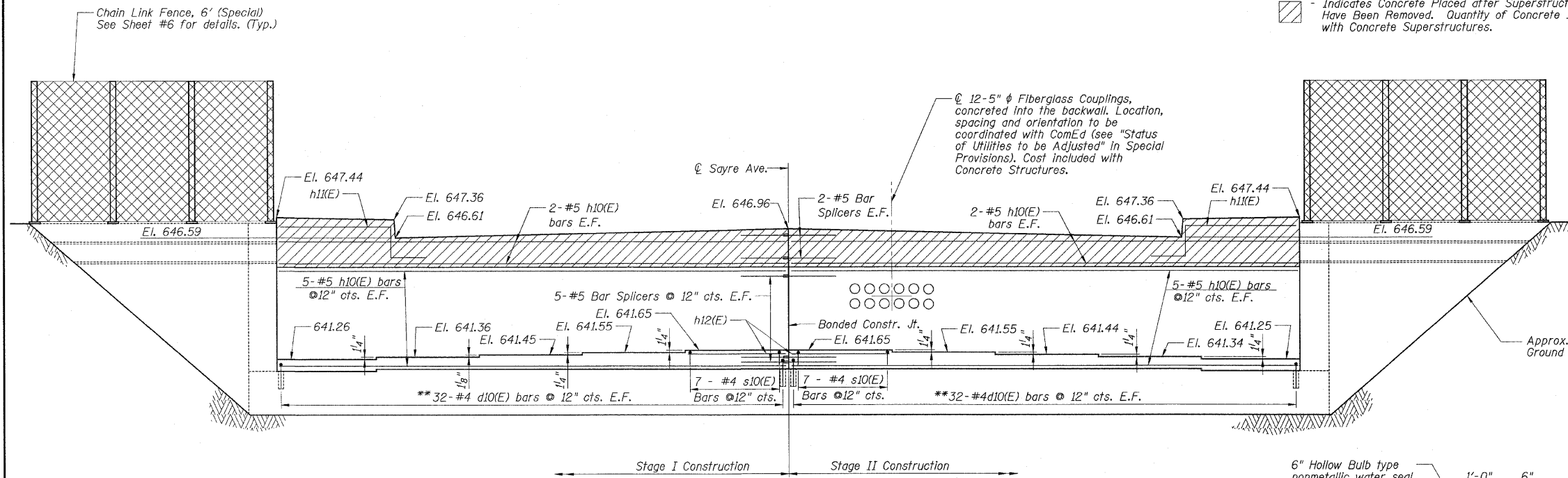
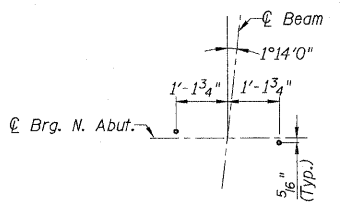


Indicates Concrete Placed after Superstructure Forms Have Been Removed. Quantity of Concrete Included with Concrete Superstructures.



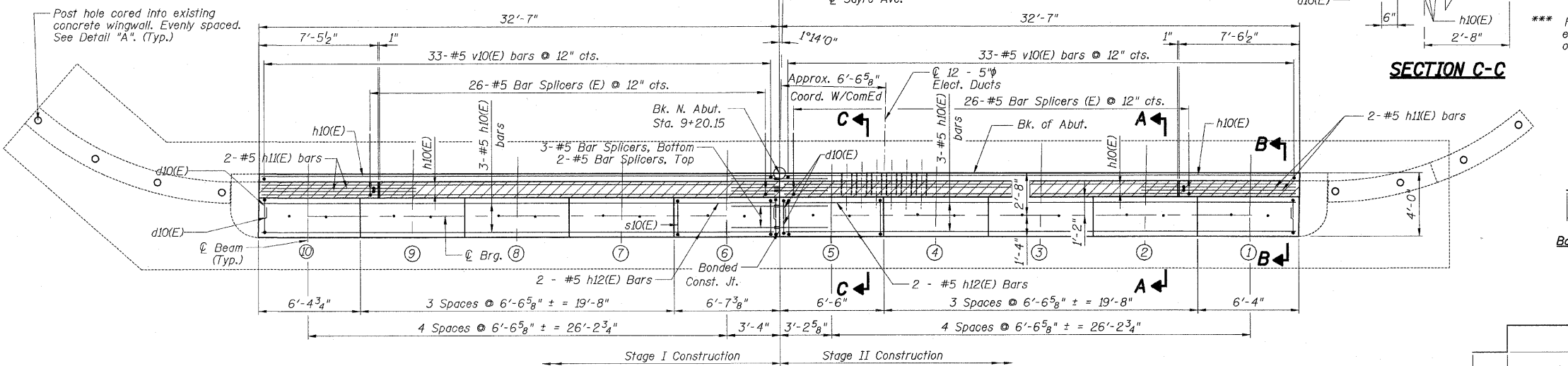
ELEVATION
(Looking North)

** - Epoxy grout d10(E) bars in 9\"/>



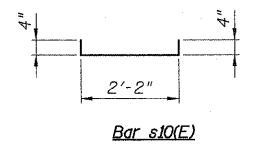
BILL OF MATERIAL

Bar	No.	Size	Length	Shape
d10(E)	128	4	2'-4"	┌
h10(E)	34	5	32'-2"	—
h11(E)	4	5	11'-0"	┌
h12(E)	4	5	6'-2"	—
s10(E)	14	4	2'-10"	┌
v10(E)	66	5	2'-0"	—
* Porous Granular Embankment (Special)		Cu. Yd.	77	
Concrete Structures		Cu. Yd.	18.4	
Reinforcement Bars, Epoxy Coated		Pound	1,580	
Concrete Sealer		Sq. Ft.	163	
Bar Splicer		Each	71	



PLAN

Notes:
 Space reinforcement in cap to miss anchor bolts.
 For Anchor Bolt Installation see Sheet S17.
 For N. Abutment Repair and Concrete Removal see Sheet S18.
 All edges shall have a standard 3/4\"/>



* See Special Provisions

REVISIONS	
NAME	DATE

ILLINOIS DEPARTMENT OF TRANSPORTATION
 NORTH ABUTMENT REHABILITATION
 FA ROUTE 173 (SAYRE AVENUE) OVER
 INTERSTATE 90 (KENNEDY EXPRESSWAY)
 COOK COUNTY STATION 8+02.48
 SECTION 267-1414-15D
 STRUCTURE NO. 016-1104
 SCALE: NONE DRAWN BY: R. Clinton
 DATE: DEC. 2007 CHECKED BY: G. Hatlestad