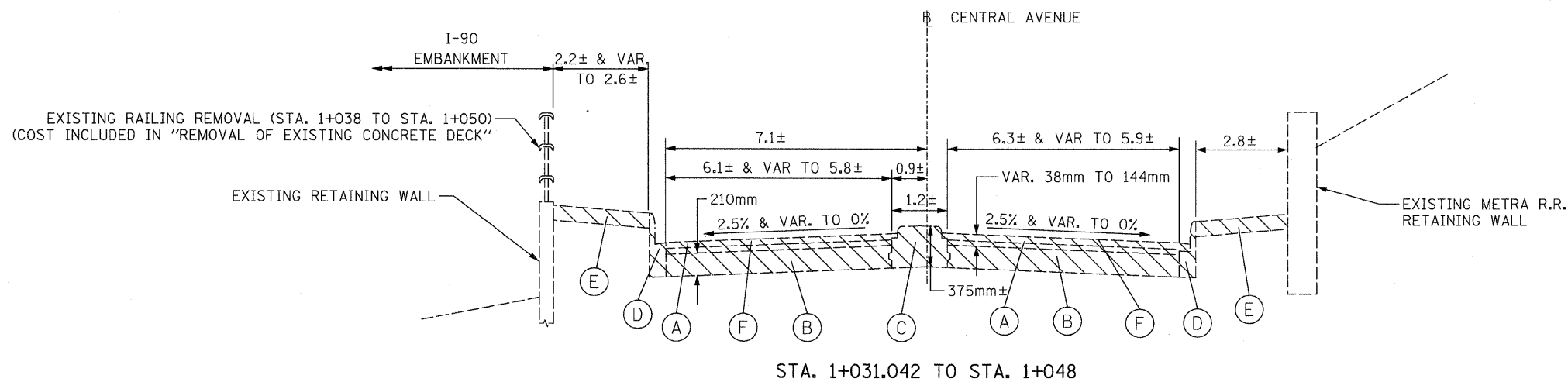


F.A.I. RTE.	SECTION	COUNTY	TOTAL SHEETS	SHEET NO.
90	1213B-1	COOK	94	10
STA.		TO STA.		
FED. ROAD DIST. NO. 1		ILLINOIS	FED. AID PROJECT	

CONTRACT NO. 60640



STA. 1+031.042 TO STA. 1+048

BRIDGE OMISSION  
STA. 0+952.745 TO STA. 1+031.042

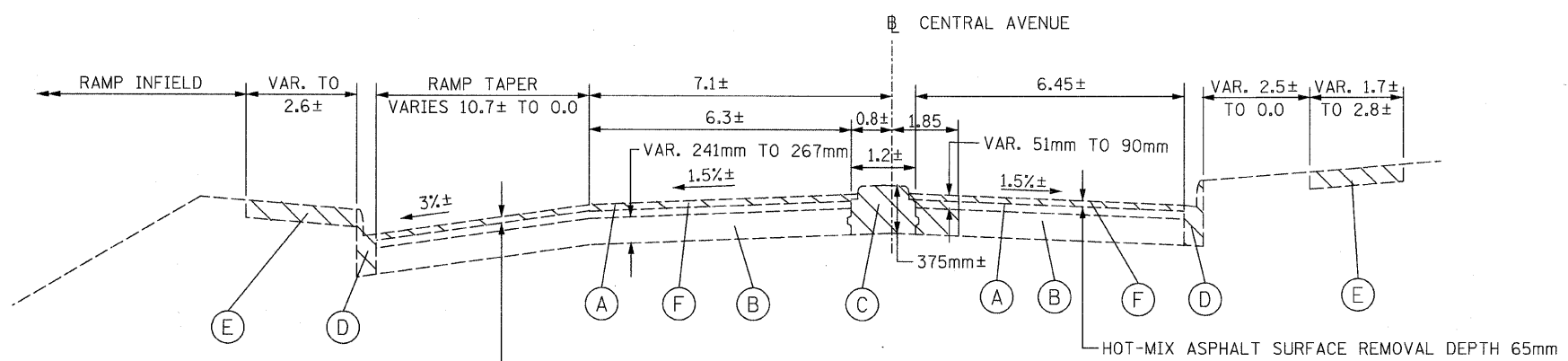
**EXISTING LEGEND**

- (A) HOT-MIX ASPHALT SURFACE - RANGE 38mm TO 90mm
- (B) CONCRETE BASE COURSE, 210mm±
- (C) CONCRETE BARRIER MEDIAN
- (D) CONCRETE CURB & GUTTER, TYPE B-15.30
- (E) CONCRETE SIDEWALK, 127mm±
- (F) HOT-MIX ASPHALT SURFACE REMOVAL, 65mm & VARIES ± 25mm, PAID AS 65mm REMOVAL

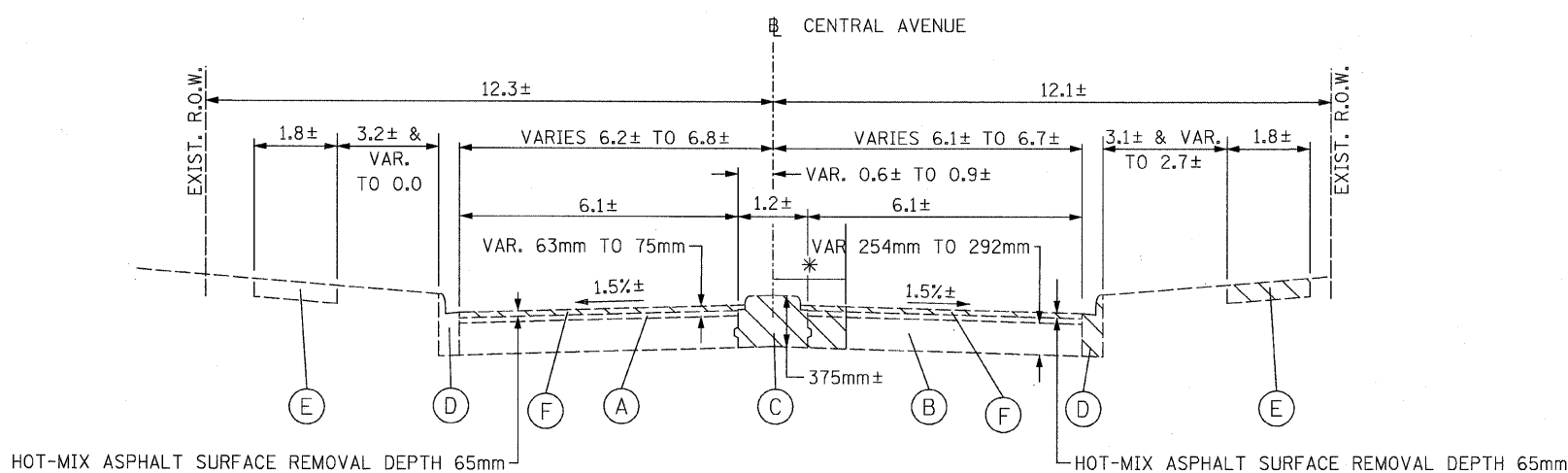
REMOVAL ITEMS. SEE PROPOSED PLAN SHEETS FOR LIMITS.

**PAVEMENT PATCHING NOTES:**

- HOT-MIX ASPHALT REMOVAL OVER PATCHES AND HOT-MIX ASPHALT REPLACEMENT OVER PATCHES:
- AN ESTIMATED AVERAGE DEPTH OF 50mm OF HOT-MIX ASPHALT SURFACE NEEDS TO BE REMOVED AND REPLACED FOR TYPE C PAVEMENT PATCHING.
- THE EXISTING PAVEMENT WAS RESURFACED IN 2006 WITH NO PAVEMENT PATCHING. THE CONTRACTOR SHALL PERFORM THE HOT-MIX ASPHALT SURFACE REMOVAL PRIOR TO ANY PAVEMENT PATCHING.



STA. 0+896 TO STA. 0+952.745



STA. 0+833.0 TO STA. 0+896

\* STA. 0+866, 0.65 RT TO 0+896, 1.85 RT. REMOVE EXISTING PAVEMENT

**CHRISTIAN-ROGE & ASSOCIATES, INC.**  
ENGINEERS-PLANNERS-SURVEYORS  
211 WEST WACKER DRIVE  
CHICAGO, ILLINOIS 60606  
1-312-372-2023 FAX: 1-312-372-5274

REVISIONS	
NAME	DATE

ILLINOIS DEPARTMENT OF TRANSPORTATION

**CENTRAL AVENUE  
EXISTING TYPICAL SECTIONS**

SCALE: NONE  
DATE: NOVEMBER 2007

DRAWN BY: B.K.  
CHECKED BY: S.J.P.