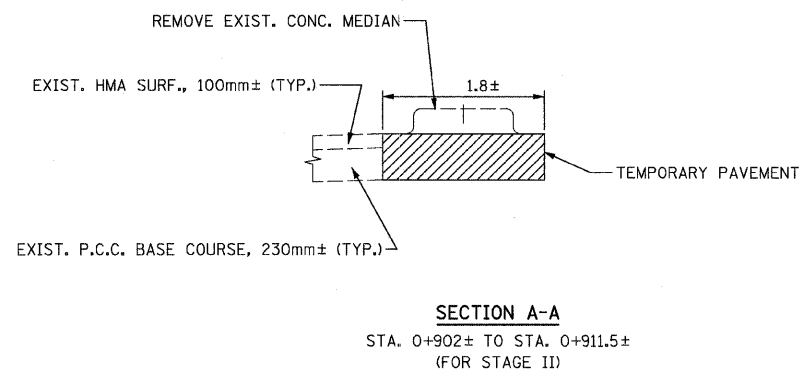


|                       |         |                           |              |           |
|-----------------------|---------|---------------------------|--------------|-----------|
| F.A.I. RTE.           | SECTION | COUNTY                    | TOTAL SHEETS | SHEET NO. |
| 90                    | 1213B-1 | COOK                      | 94           | 18        |
| STA.                  |         | TO STA.                   |              |           |
| FED. ROAD DIST. NO. 1 |         | ILLINOIS FED. AID PROJECT |              |           |
| CONTRACT NO. 60640    |         |                           |              |           |



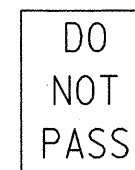
600mm x 600mm

R1-1



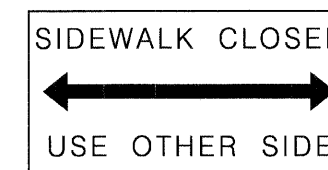
600mm x 750mm

R4-7b



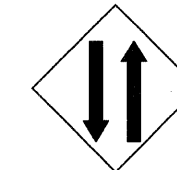
600mm x 750mm

R4-1



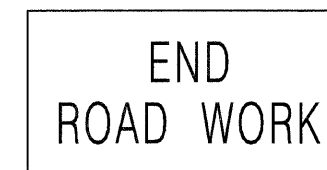
600mm x 300mm

R9-10



1200mm

W6-3



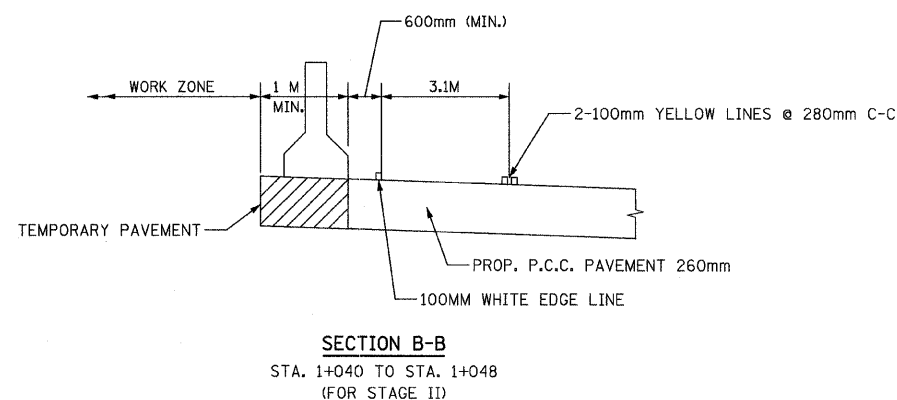
900mm x 450mm

G20-2a

TEMPORARY SIGN LEGEND

NOTES:

- FOR BRIDGE DECK STAGING TYPICAL SECTIONS, SEE STRUCTURAL PLANS, SHEET NO. 50.
- THE COST OF REMOVAL OF THE TEMPORARY PAVEMENT SHALL BE PAID FOR AS PAVEMENT REMOVAL.



**CR & A**  
CHRISTIAN-ROGE & ASSOCIATES, INC.  
ENGINEERS-PLANNERS-SURVEYORS  
211 WEST WACKER DRIVE  
CHICAGO, ILLINOIS 60606  
1-312-372-2023 FAX: 1-312-372-5274

| REVISIONS |      |
|-----------|------|
| NAME      | DATE |
|           |      |
|           |      |
|           |      |
|           |      |
|           |      |
|           |      |
|           |      |
|           |      |
|           |      |
|           |      |

ILLINOIS DEPARTMENT OF TRANSPORTATION  
SUGGESTED STAGES OF CONSTRUCTION  
AND TRAFFIC CONTROL  
TEMPORARY SIGNS AND DETAILS  
CENTRAL AVENUE AND  
I-90 EXPRESSWAY / RAMP

SCALE: NONE  
DATE: NOVEMBER 2007  
DRAWN BY: B.K.  
CHECKED BY: S.J.P.