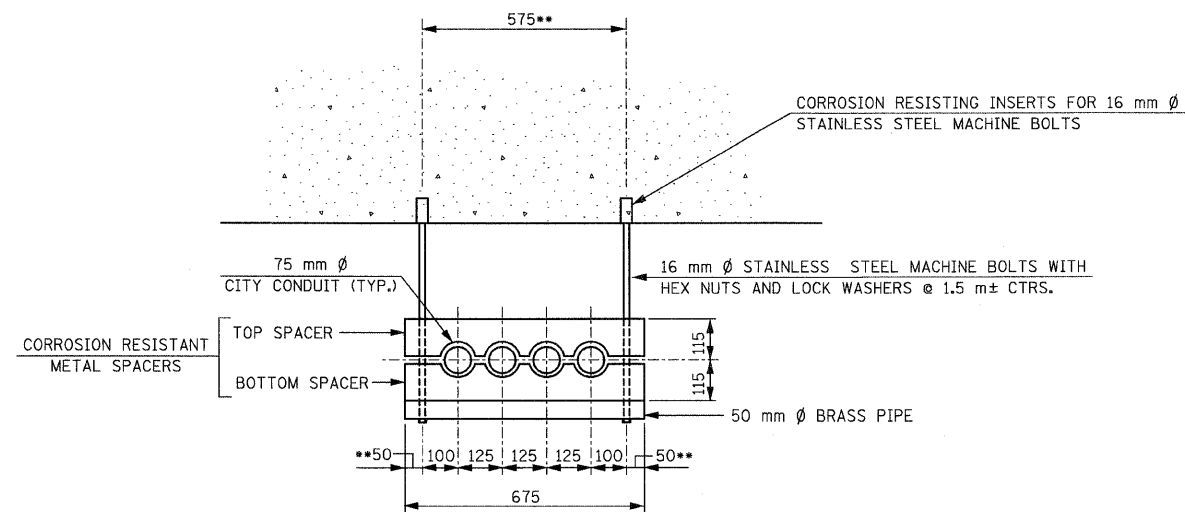
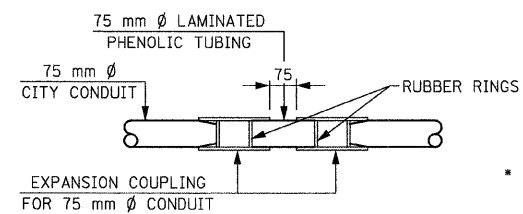


F.A.I. RTE.	SECTION	COUNTY	TOTAL SHEETS	SHEET NO.
90	1213B-1	COOK	94	29
STA.		TO STA.		
FED. ROAD DIST. NO. 1		ILLINOIS FED. AID PROJECT		
CONTRACT NO. 60640				



CONDUIT HANGER DETAIL*



EXPANSION COUPLING*

- * COST INCLUDED WITH CONDUIT ATTACHED TO STRUCTURE, 75 mm Ø GALVANIZED STEEL.
- ** TO BE ADJUSTED BY THE MANUFACTURER.

REVISIONS	
NAME	DATE

ILLINOIS DEPARTMENT OF TRANSPORTATION
I.D.O.T. LIGHTING PLAN DETAILS
I-90 BRIDGE UNDERPASS
AT CENTRAL AVENUE

CR & A
CHRISTIAN-ROGE & ASSOCIATES, INC.
ENGINEERS-PLANNERS-SURVEYORS
211 WEST WACKER DRIVE
CHICAGO, ILLINOIS 60606
1-312-372-2023 FAX: 1-312-372-5274

SCALE: NONE
DATE: NOVEMBER 2007
DRAWN BY: B.K.
CHECKED BY: S.J.P.