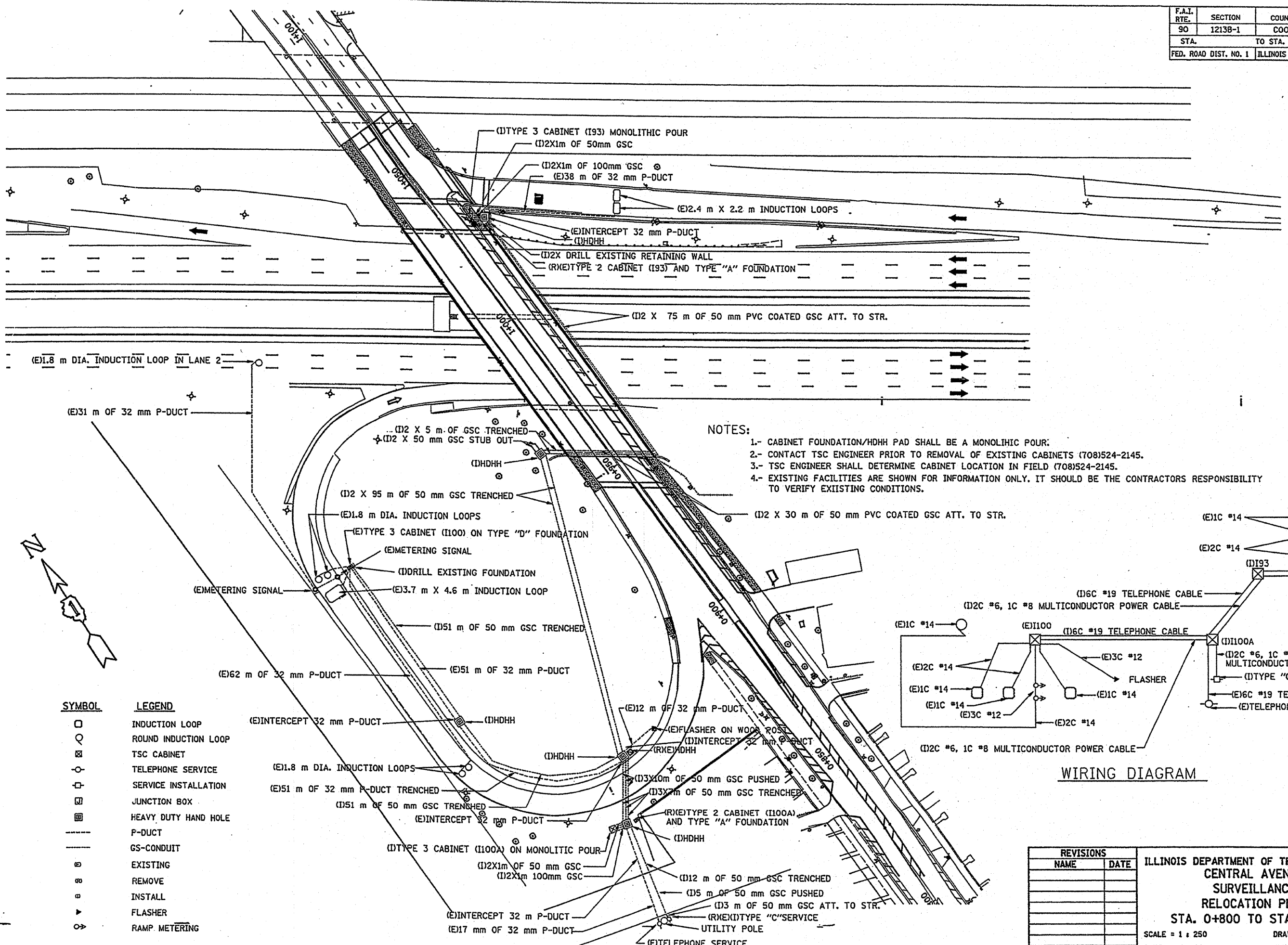
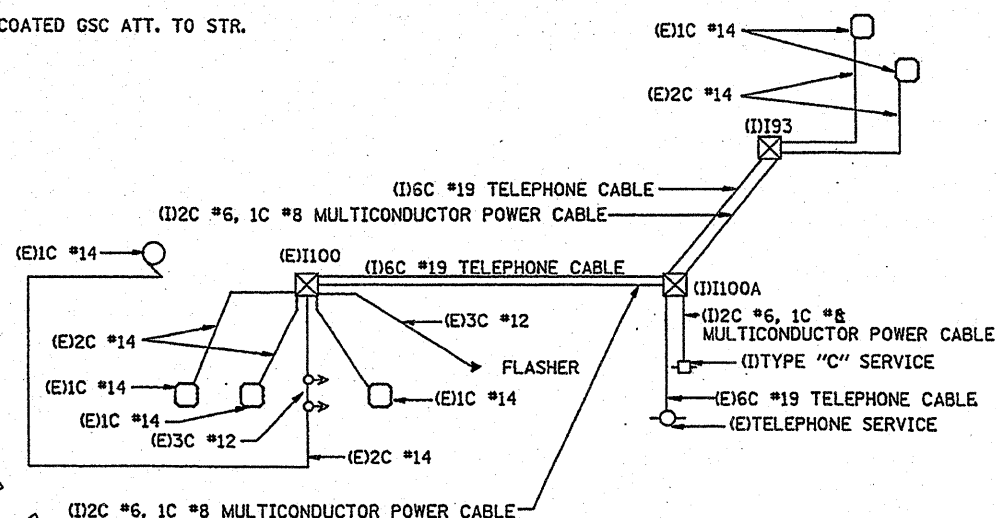


F.A.I. RTE.	SECTION	COUNTY	TOTAL SHEETS	SHEET NO.
90	1213B-1	COOK	94	39
STA.		TO STA.		
FED. ROAD DIST. NO. 1		ILLINOIS FED. AID PROJECT		



- NOTES:**
- 1.- CABINET FOUNDATION/HDHH PAD SHALL BE A MONOLITHIC POUR.
 - 2.- CONTACT TSC ENGINEER PRIOR TO REMOVAL OF EXISTING CABINETS (708)524-2145.
 - 3.- TSC ENGINEER SHALL DETERMINE CABINET LOCATION IN FIELD (708)524-2145.
 - 4.- EXISTING FACILITIES ARE SHOWN FOR INFORMATION ONLY. IT SHOULD BE THE CONTRACTORS RESPONSIBILITY TO VERIFY EXISTING CONDITIONS.



WIRING DIAGRAM

SYMBOL	LEGEND
○	INDUCTION LOOP
○	ROUND INDUCTION LOOP
□	TSC CABINET
○	TELEPHONE SERVICE
□	SERVICE INSTALLATION
□	JUNCTION BOX
□	HEAVY DUTY HAND HOLE
---	P-DUCT
---	GS-CONDUIT
○	EXISTING
○	REMOVE
○	INSTALL
○	FLASHER
○	RAMP METERING

REVISIONS	
NAME	DATE

ILLINOIS DEPARTMENT OF TRANSPORTATION
 CENTRAL AVENUE
 SURVEILLANCE
 RELOCATION PLAN
 STA. 0+800 TO STA. 0+925

SCALE = 1 : 250
 DATE 02/00
 DRAWN BY B.K.
 CHECKED BY S.J.P.

FILE NAME=C: CHRISTIA RYBORDER.DGN