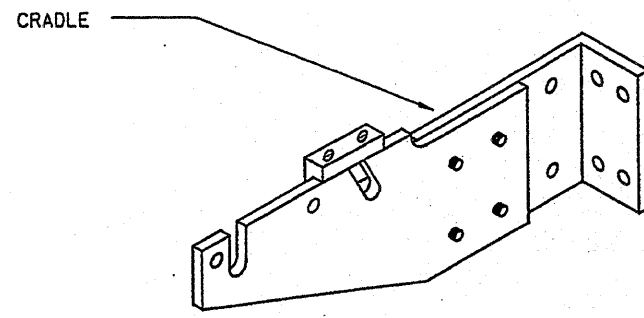
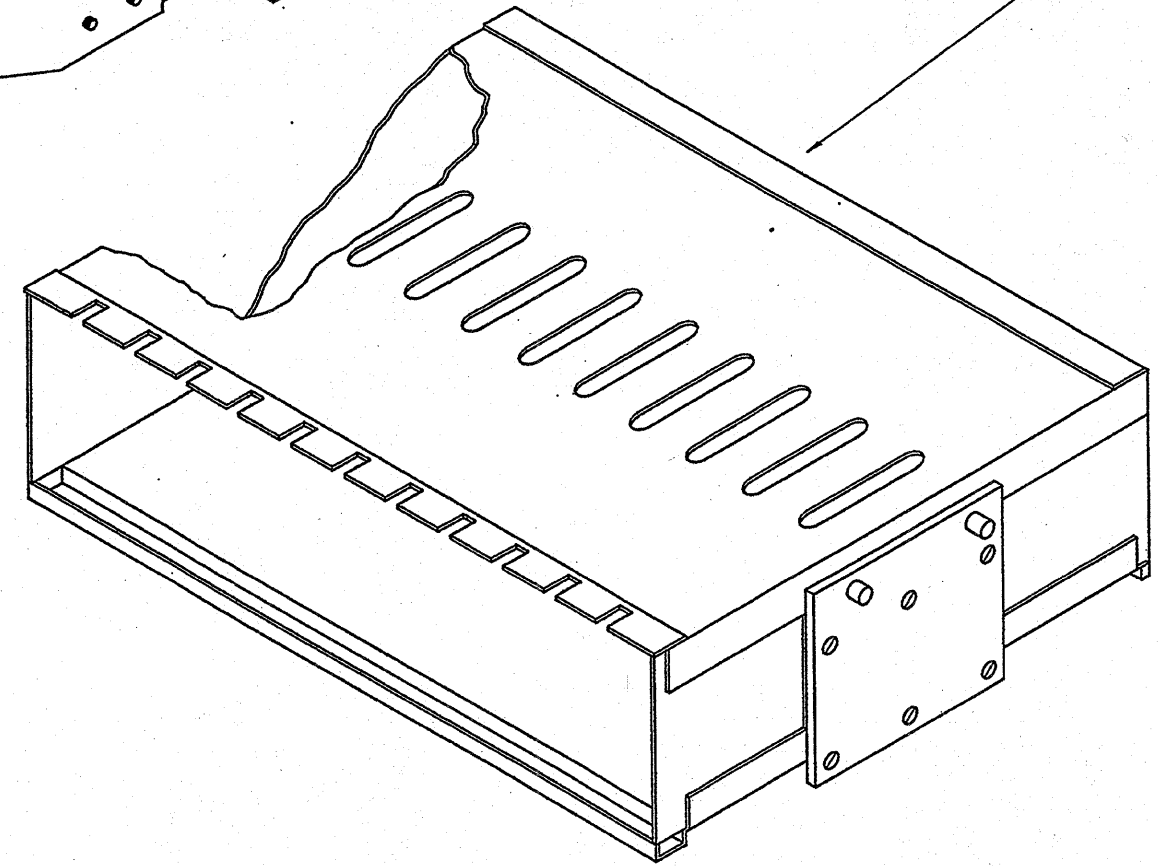


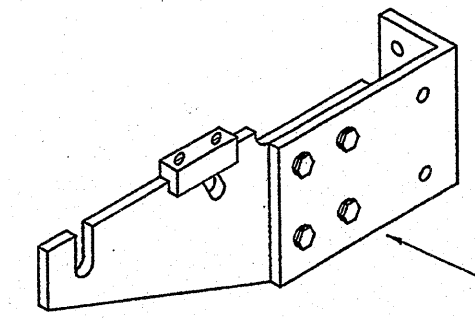
F.A.I. RTE.	SECTION	COUNTY	TOTAL SHEETS	SHEET NO.
90	1213B-1	COOK	94	40
STA.		TO STA.		
FED. ROAD DIST. NO. 1		ILLINOIS	FED. AID PROJECT	



CRADLE



II MODULE MOUNTING FRAME
(FOR II TYPE "A" PLUG-IN TYPE TONE MODULES)



CRADLE

NOTE:

TYPE "A" TONE MODULES ARE PLUG
IN UNIT MEASURING 5-7/32" (132.55 mm) X 1.5" (38.1 mm) X 13-3/4" (349.25 mm)

REVISIONS	
NAME	DATE
R.L.	6/94
T.C.	9/96

ILLINOIS DEPARTMENT OF TRANSPORTATION
TRAFFIC SYSTEMS CENTER
**FIELD MOUNTING FRAME
WITH CRADLE ASSEMBLY**
SCALE: VERT. NONE
HORIZ. DATE 6-21-94
DRAWN BY G.M.
CHECKED BY R.L.

RD-TYPNET.DGN
RF-

VI-4006