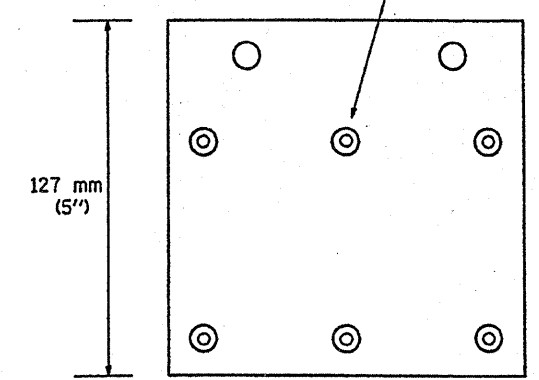
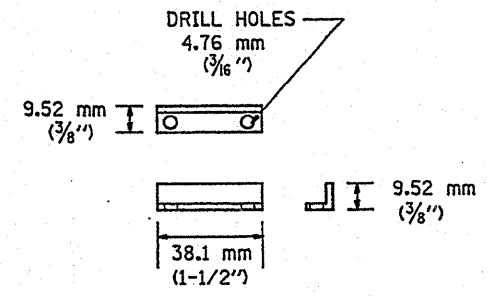
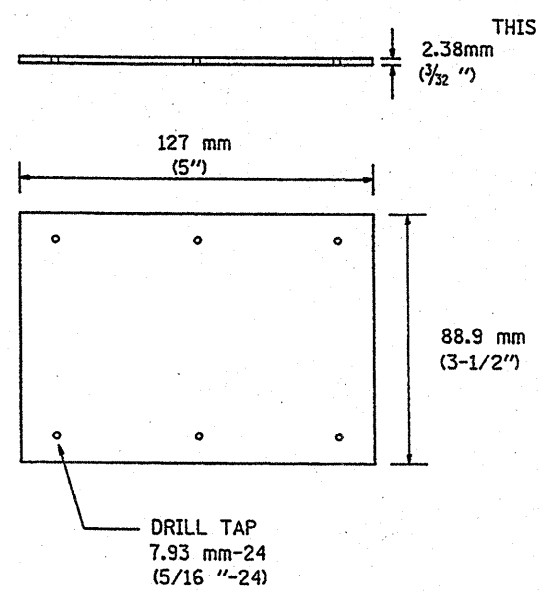
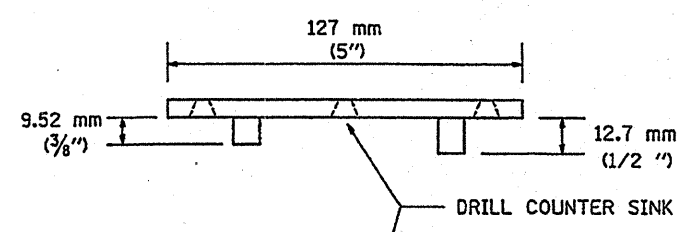
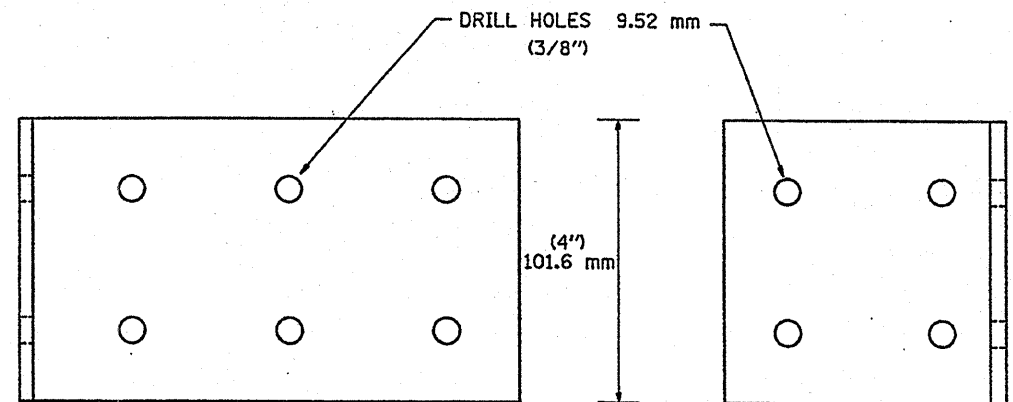
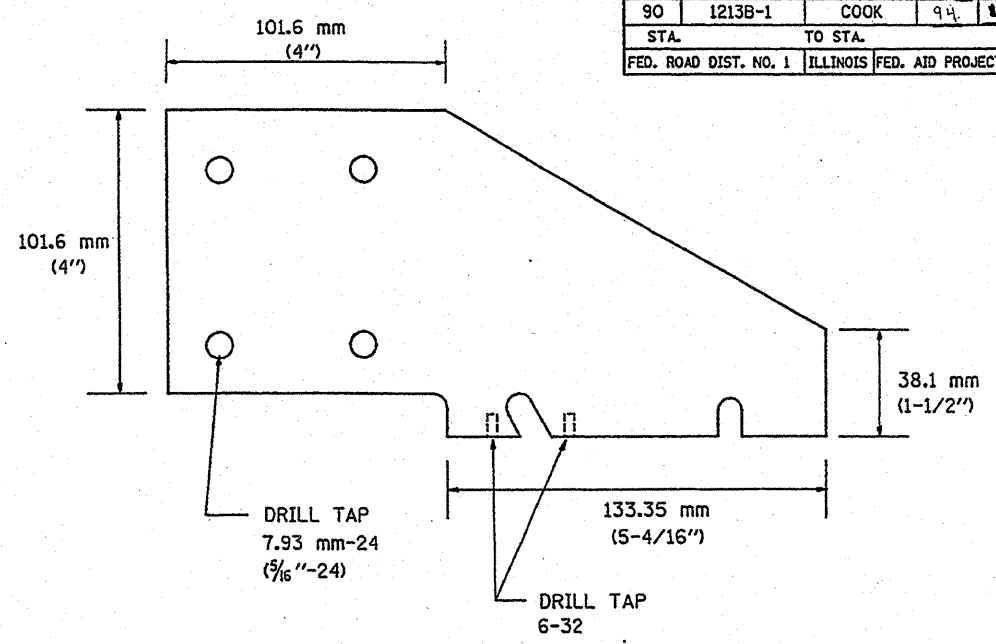
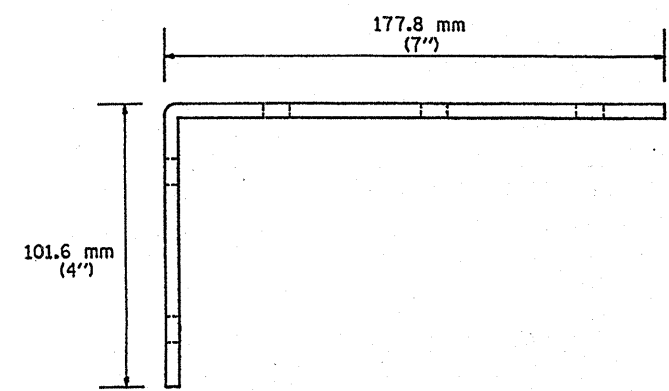


F.A.I. RTE.	SECTION	COUNTY	TOTAL SHEET	SHEET NO.
90	1213B-1	COOK	94	41
STA.		TO STA.		
FED. ROAD DIST. NO. 1		ILLINOIS FED. AID PROJECT		



REVISIONS	
NAME	DATE
R.L.	6/94
T.C.	9/96

ILLINOIS DEPARTMENT OF TRANSPORTATION
TRAFFIC SYSTEMS CENTER
FIELD CRADLE ASSEMBLY
SCALE: VERT. NONE
HORIZ. DATE 6-21-94
DRAWN BY G.M.
CHECKED BY R.L.

RD=TYPMET.DGN
RF=

VI=4007