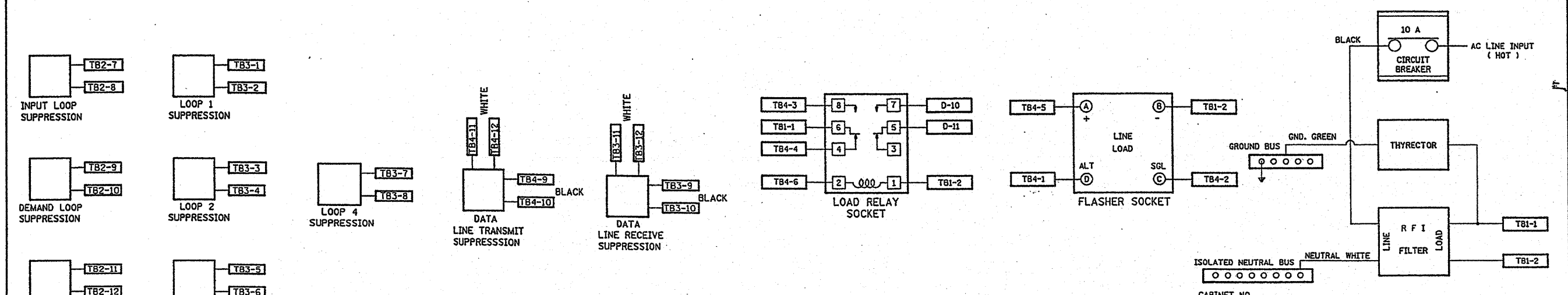
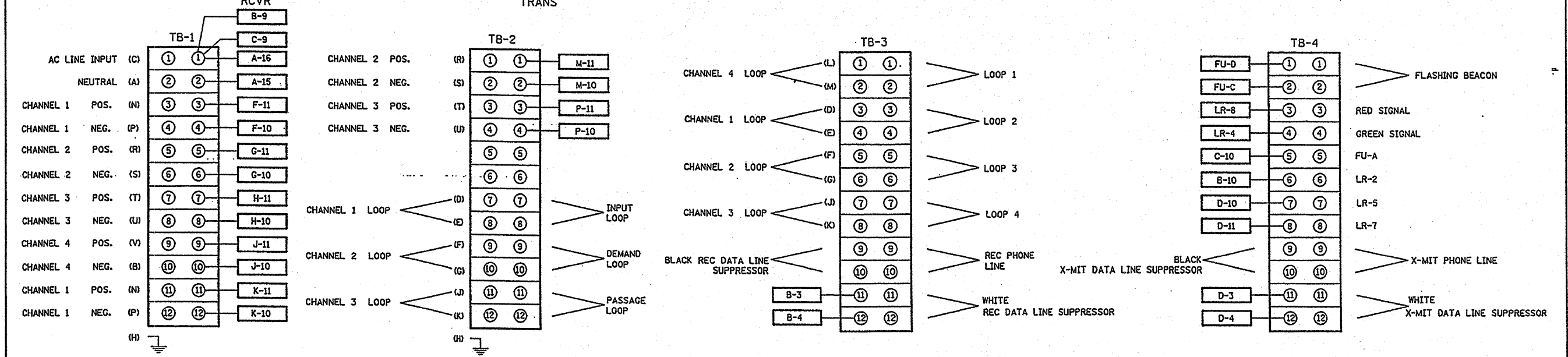
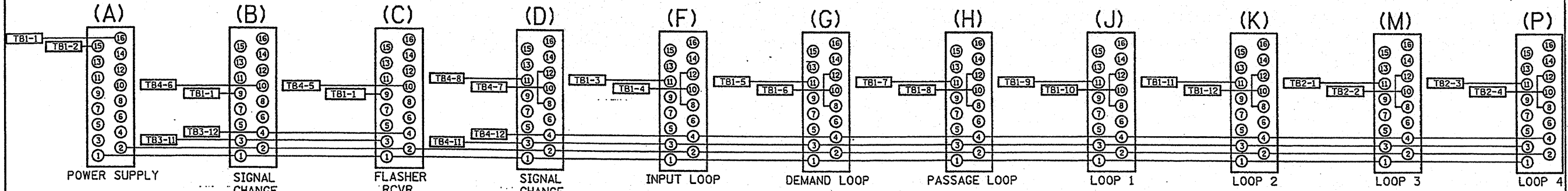


BACK VIEW OF TONE RACK

F.A.I. RTE.	SECTION	COUNTY	TOTAL SHEETS	SHEET
90	1213B-1	COOK	94	42
STA.		TO STA.		
FED. ROAD DIST. NO. 1		ILLINOIS FED. AID PROJECT		



REVISIONS	
NAME	DATE
T.C.	6/94
R.L.	3/95
R.L.	5/99

ILLINOIS DEPARTMENT OF TRANSPORTATION
TRAFFIC SYSTEMS CENTER
METERING CABINET WIRING DIAGRAM

SCALE: VERT. NONE
HORIZ. DATE 6/21/94
DRAWN BY G.J.
CHECKED BY T.C.