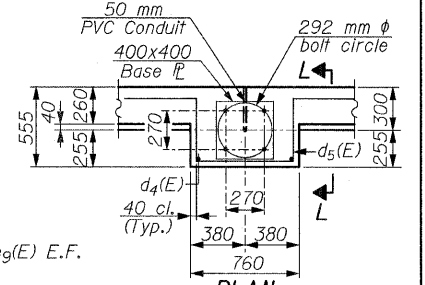
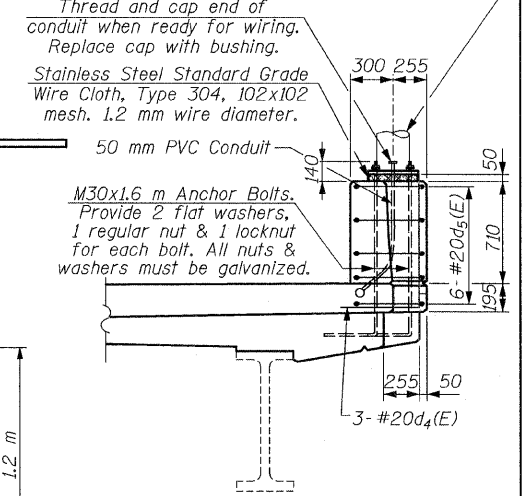


| | | | | |
|-----------------------|---------------------------|--------|--------------|-----------|
| F.A.I. RTE. | SECTION | COUNTY | TOTAL SHEETS | SHEET NO. |
| 90 | 1213B-1 | COOK | 94 | 59 |
| STA. | TO STA. | | | |
| FED. ROAD DIST. NO. 1 | ILLINOIS FED. AID PROJECT | | | |

CONTRACT NO. 60640
 *13 mm Concrete Jt. Sealer at Existing Expansion Jt., Located at Existing Wingwall. Cost included with Concrete Superstructure.



NOTE:
 Cost of Anchor Bolts is included with "Concrete Superstructure"
 City of Chicago Light Pole to be mounted

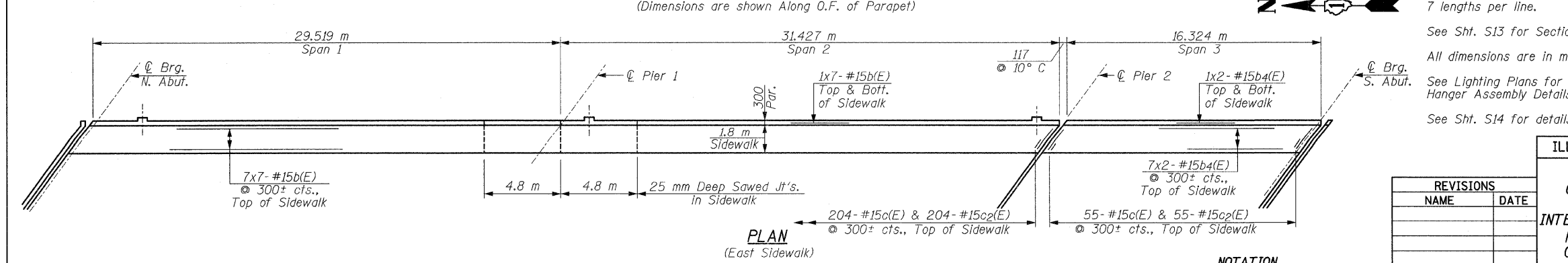
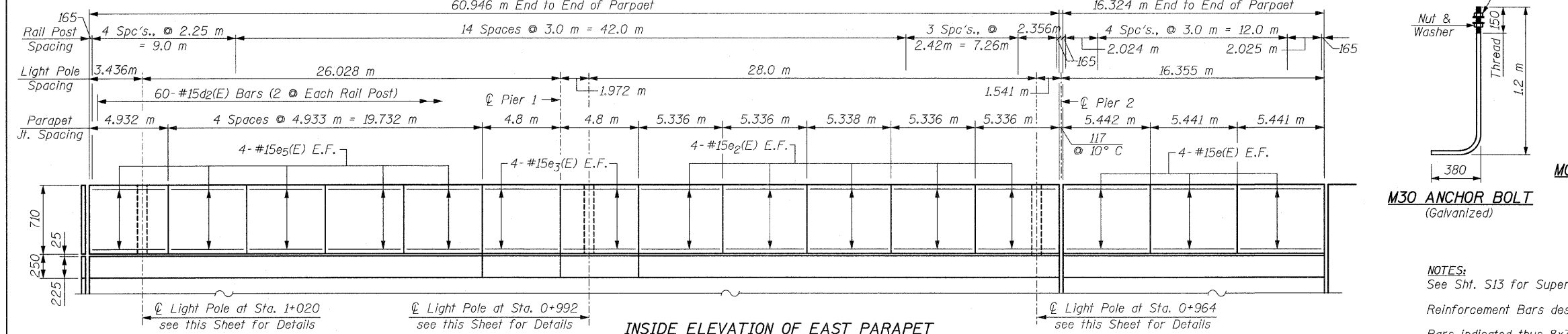
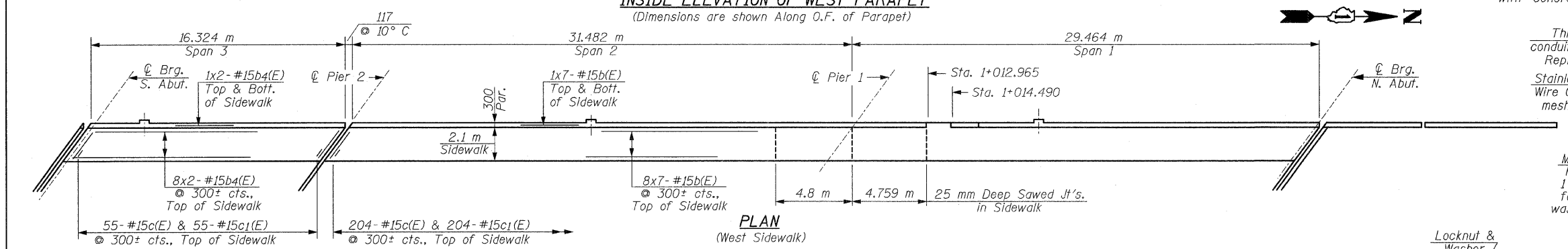
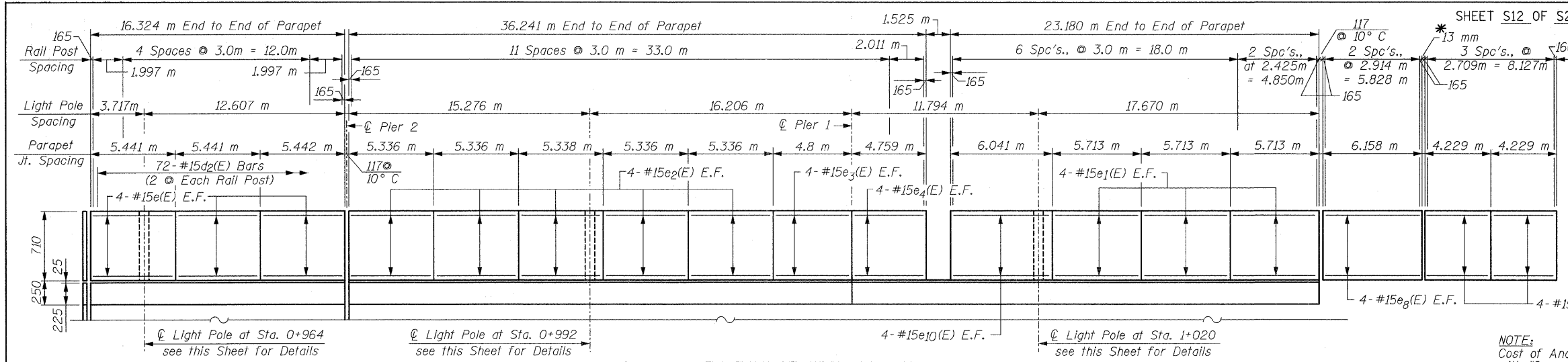


M30 ANCHOR BOLT
 (Galvanized)

- NOTES:**
 See Sht. S13 for Superstructure Bill of Material.
 Reinforcement Bars designated (E) shall be Epoxy Coated.
 Bars indicated thus 8x7-#15 ect., indicates 8 line of bars with 7 lengths per line.
 See Sht. S13 for Section thru East Sidewalk and Parapet Joint Details.
 All dimensions are in millimeters (mm) except as noted.
 See Lighting Plans for details of Embedded Conduit & Luminaire Hanger Assembly Details for Underpass Lighting.
 See Sht. S14 for details of Rail Post for Bridge Fence Railing.

| REVISIONS | |
|-----------|------|
| NAME | DATE |
| | |
| | |
| | |
| | |
| | |

ILLINOIS DEPARTMENT OF TRANSPORTATION
SIDEWALK PLANS AND PARAPETS
CENTRAL AVENUE (F.A.U. RTE. 2798)
 OVER
INTERSTATE 90 (KENNEDY EXPWY.) & C.T.A.
 F.A.I. RTE. 90 SECTION: 1213B-1
 COOK COUNTY STATION 1+000.000
 STRUCTURE NO. 016-0659
 SCALE: NONE DRAWN BY: D.L./J.M.
 DATE: JANUARY 16, 2009 CHECKED BY: B.N.S./J.C.M.
CHRISTIAN-ROGE & ASSOC., INC.
 CHICAGO ILLINOIS



MIN. BAR LAP
 #15 Bars = 510

NOTATION
 E.F. = Each Face
 I.F. = Inside Face
 O.F. = Outside Face

I:\Projects\2009\1213B-1\Parapet.dwg 1/16/2009 7:25:36 AM