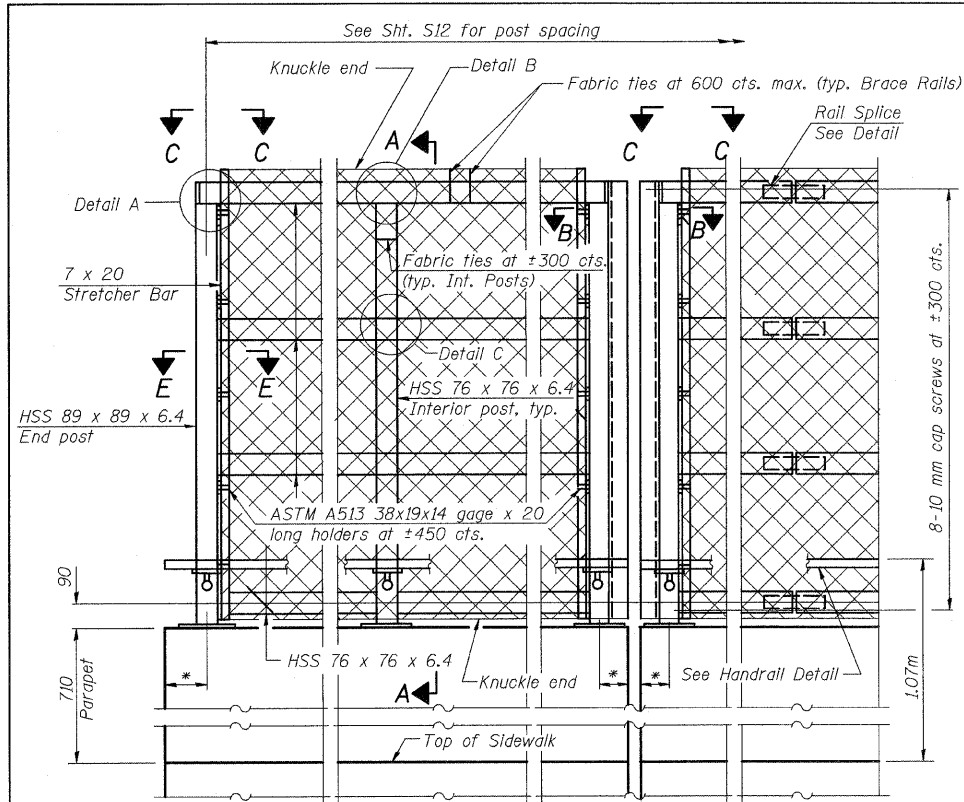


F.A.I. RTE.	SECTION	COUNTY	TOTAL SHEETS	SHEET NO.
90	1213B-1	COOK	94	61
STA.		TO STA.		
FED. ROAD DIST. NO. 1		ILLINOIS FED. AID PROJECT		

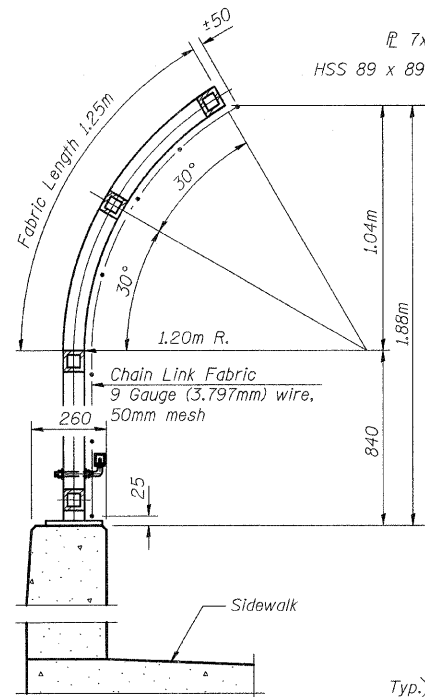
CONTRACT NO. 60640

All post, railing, splices, anchor devices and Plates shall be painted using the Inorganic Zinc Rich Primer/Acrylic/Acrylic Paint System. The color of the Acrylic finish shall be Reddish Brown, Munsell No. 2.5YR3/4.

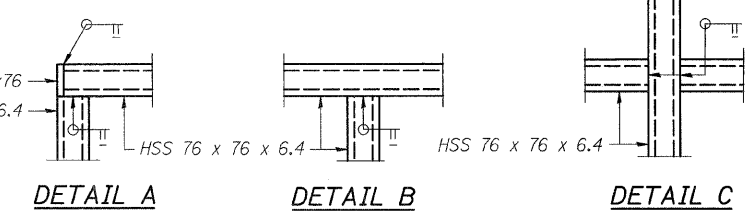


*Variable - See Sht. S12 or Sht. S15

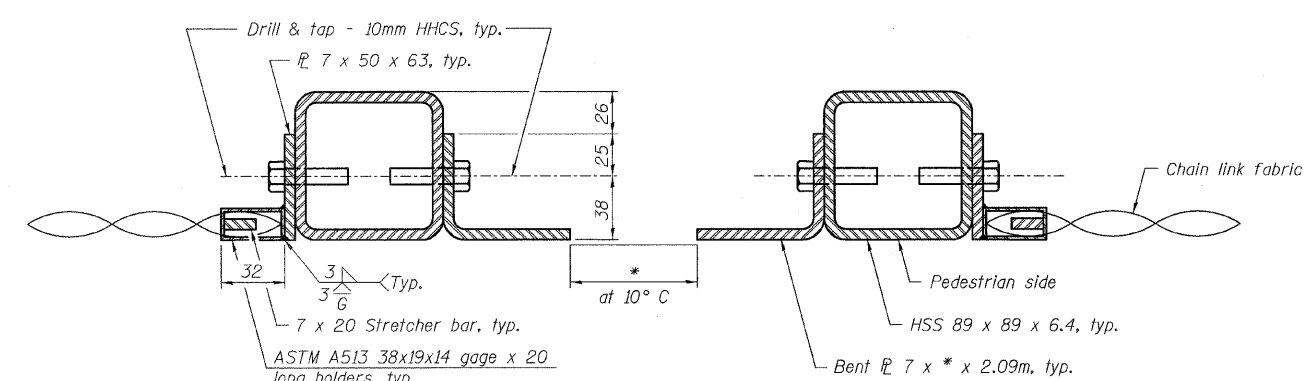
ELEVATION
(Inside Face)



SECTION A-A

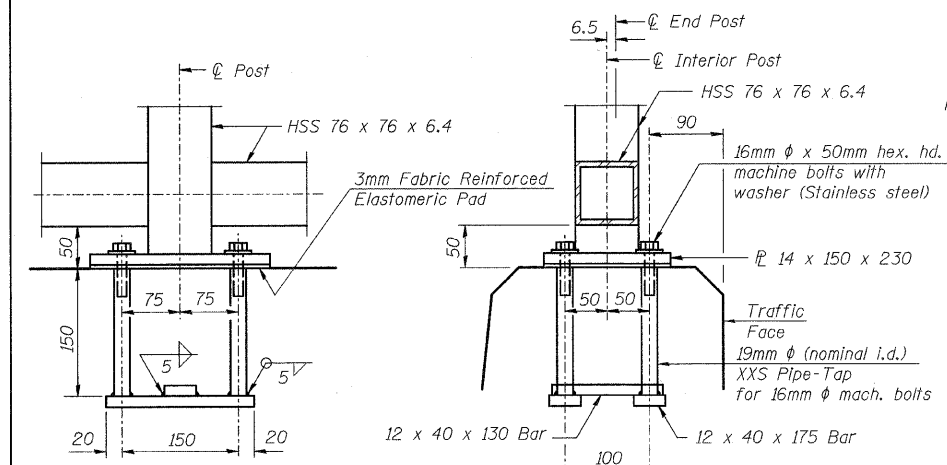


DETAIL A **DETAIL B** **DETAIL C**



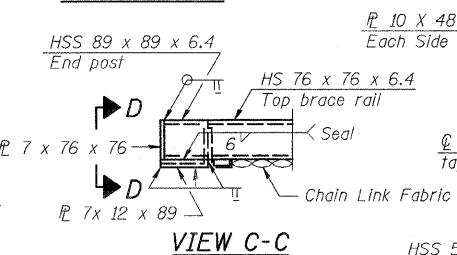
SECTION B-B
(At Expansion Joint)

*Variable - See Sht. S12 or Sht. S15

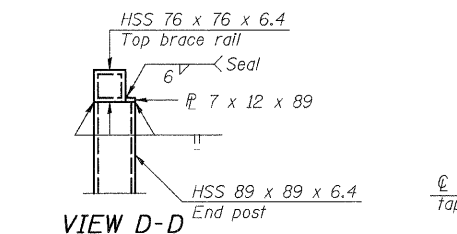


ANCHOR BOLT DETAILS

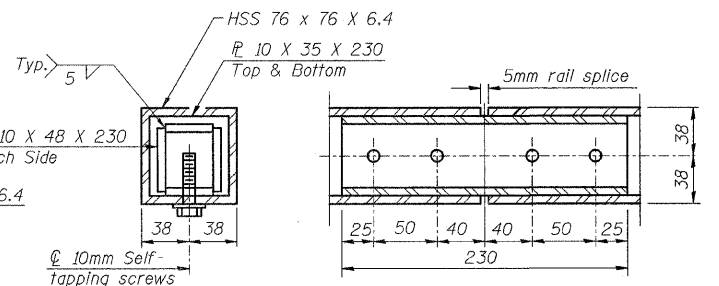
In lieu of the cast-in-place anchor device shown, the Contractor has the option of drilling and setting 16mm diameter anchor rods according to Article 509.06 of the Standard Specifications. Embedment shall be according to the manufacturer's specifications.



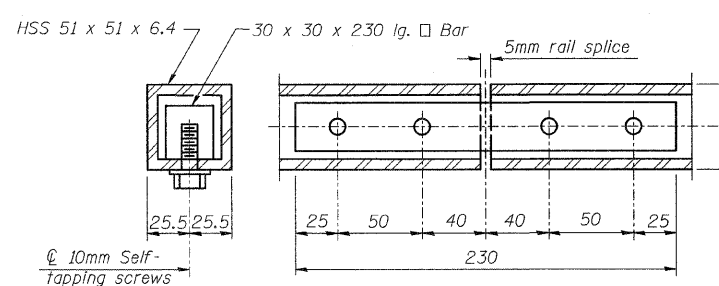
VIEW C-C



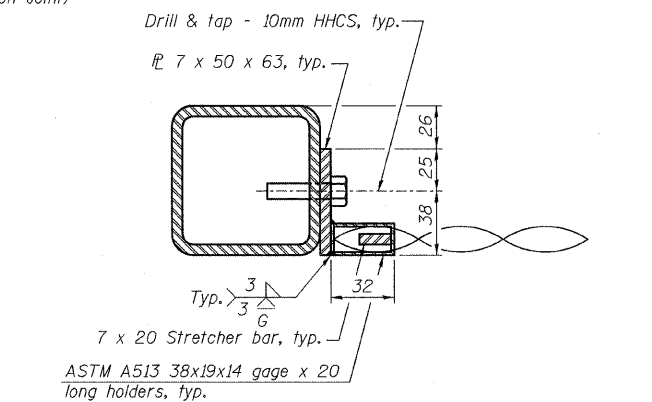
VIEW D-D



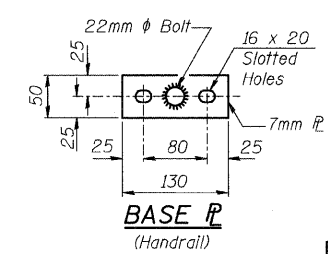
RAIL SPLICE



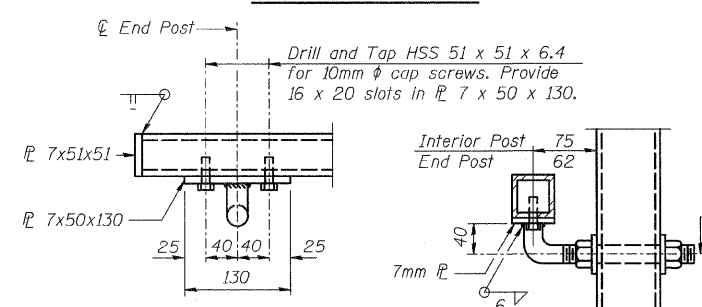
HANDRAIL SPLICE



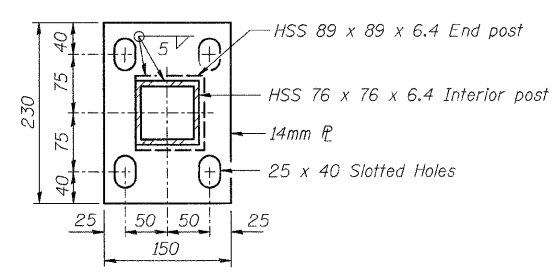
SECTION E-E



BASE PLATE
(Handrail)



HANDRAIL DETAIL



BASE PLATE

BILL OF MATERIAL

Item	Unit	Quantity
Bridge Fence Railing	m	168

REVISIONS

NAME	DATE

ILLINOIS DEPARTMENT OF TRANSPORTATION
BRIDGE FENCE RAILING PARAPET MOUNTED
CENTRAL AVENUE (F.A.U. RTE. 2798)
OVER
INTERSTATE 90 (KENNEDY EXPWY.) & C.T.A.
F.A.I. RTE. 90 SECTION: 1213B-1
COOK COUNTY STATION 1+000.000
STRUCTURE NO. 016-0659
 SCALE: NONE DRAWN BY: D.L./F.M.
 DATE: JANUARY 16, 2009 CHECKED BY: B.N.S./J.C.M.
CHRISTIAN-ROGE & ASSOC., INC.
 CHICAGO ILLINOIS