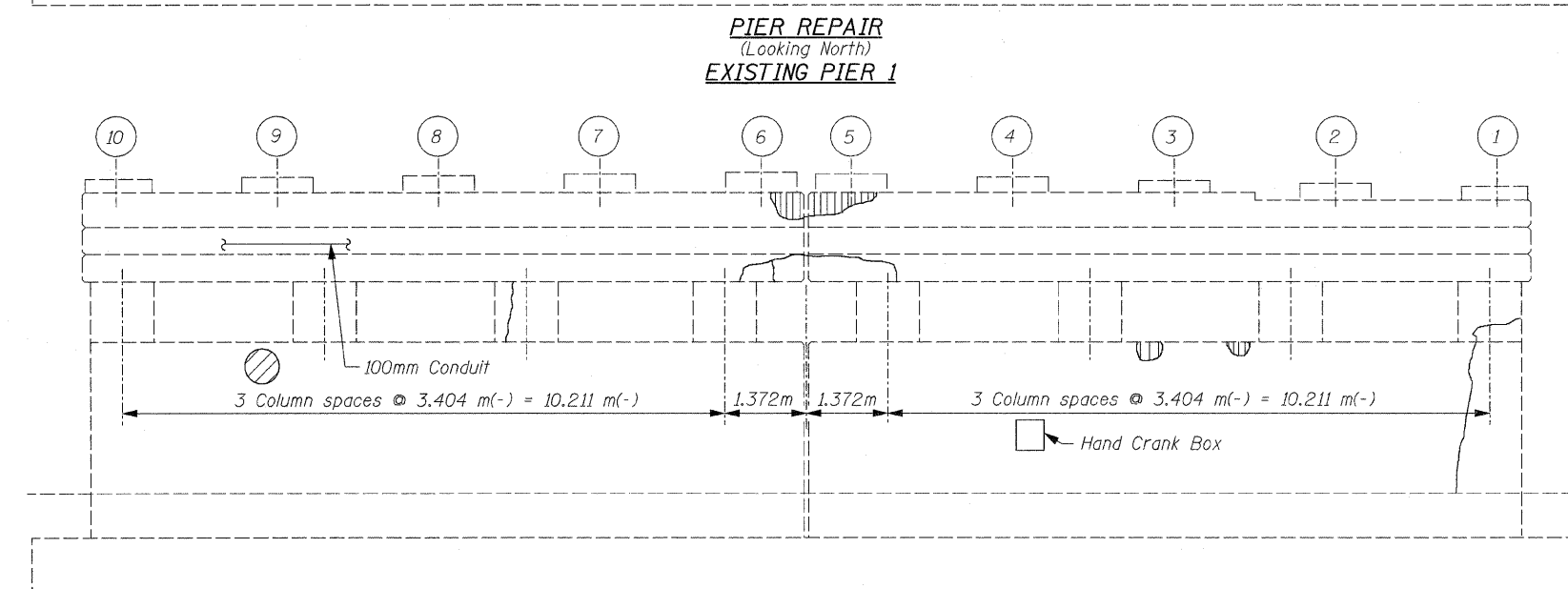
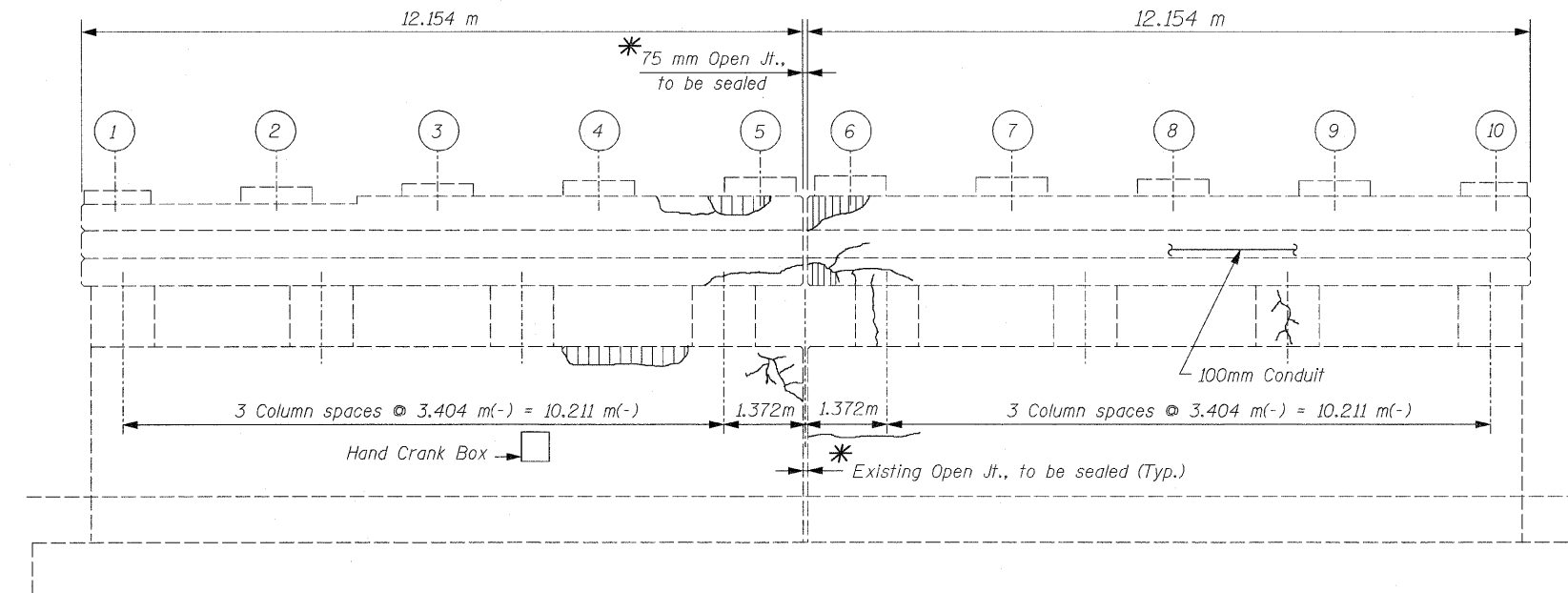
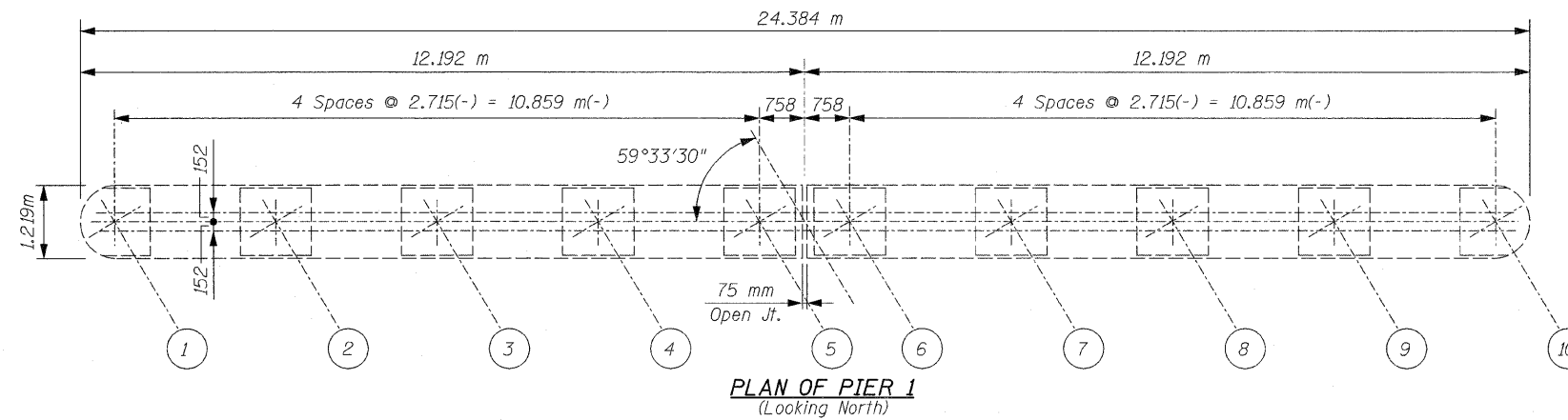


| | | | | |
|-----------------------|---------|---------------------------|--------------|-----------|
| F.A.I. RTE. | SECTION | COUNTY | TOTAL SHEETS | SHEET NO. |
| 90 | 1213B-1 | COOK | 94 | 72 |
| STA. | | TO STA. | | |
| FED. ROAD DIST. NO. 1 | | ILLINOIS FED. AID PROJECT | | |
| CONTRACT NO. 60640 | | | | |



* Cost included with Structural Repair of Concrete (Depth equal to or less than 125mm)

BILL OF MATERIAL

| Item | Unit | Total |
|---|----------------|-------|
| Epoxy Crack Sealing | m | 15.8 |
| Structural Repair of Concrete (Depth equal to or less than 125mm) | m ² | 11.6 |

NOTE:

Repair of the existing Pier shall include but not be limited to the areas shown. The actual areas to be repaired will be determined by the Engineer at the time of construction.

LEGEND

- Structural Repair of Concrete (Depth equal to or less than 125mm)
- Indicate Limits of Epoxy Crack Sealing

| REVISIONS | |
|-----------|------|
| NAME | DATE |
| | |
| | |
| | |
| | |
| | |

ILLINOIS DEPARTMENT OF TRANSPORTATION
PIER 1 REPAIRS
 CENTRAL AVENUE (F.A.U. RTE. 2798)
 OVER
 INTERSTATE 90 (KENNEDY EXPWY.) & C.T.A.
 F.A.I. RTE. 90 SECTION: 1213B-1
 COOK COUNTY STATION 1+000.000
 STRUCTURE NO. 016-0659
 SCALE: NONE DRAWN BY: D.L./F.M.
 DATE: JANUARY 16, 2009 CHECKED BY: B.N.S./J.C.M.
CHRISTIAN-ROGE & ASSOC., INC.
 CHICAGO ILLINOIS

1/15/2009 7:27:28 AM