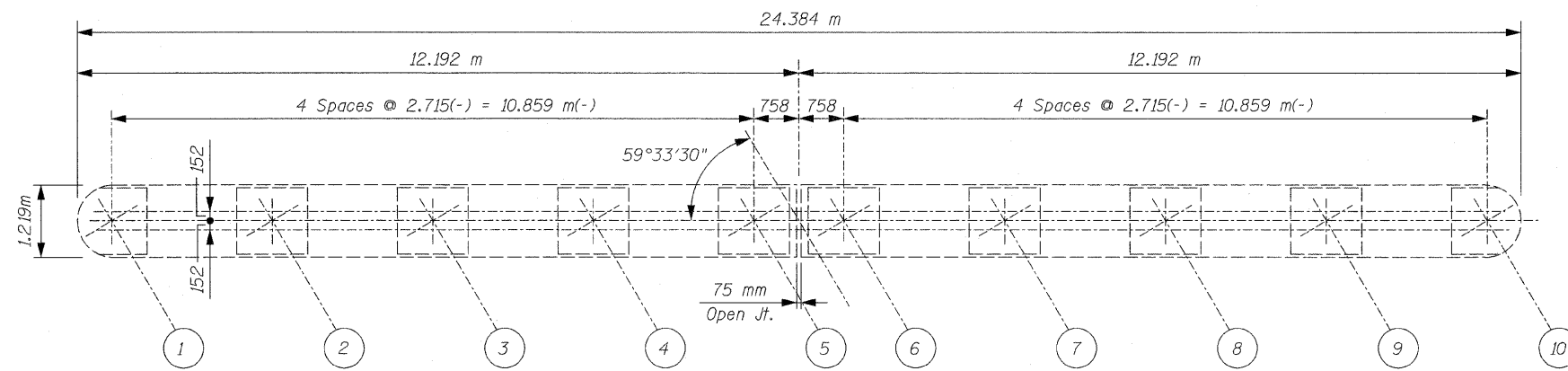
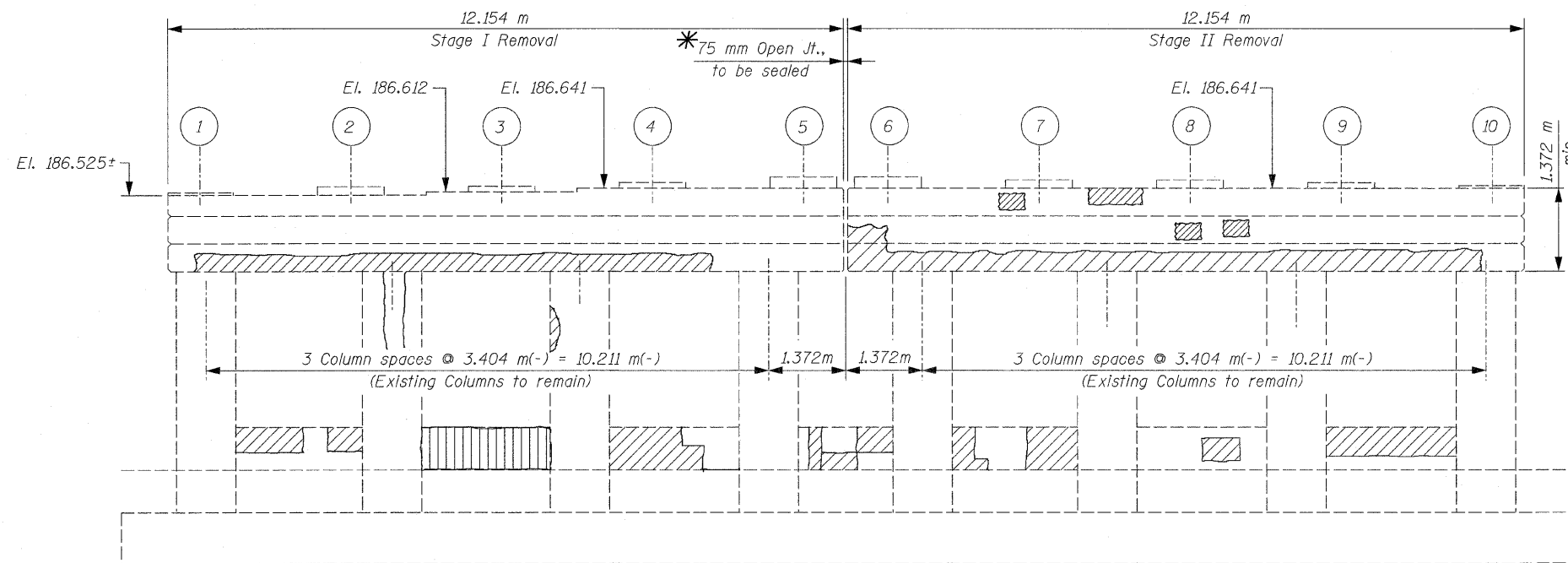


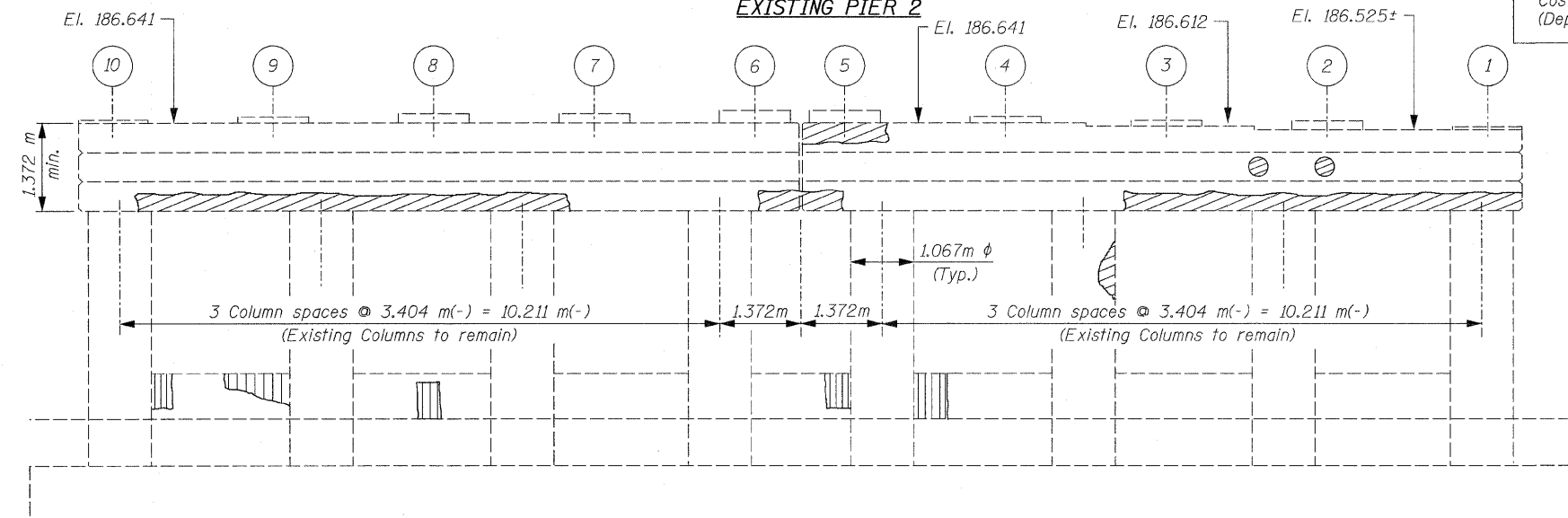
F.A.I. RTE.	SECTION	COUNTY	TOTAL SHEETS	SHEET NO.
90	1213B-1	COOK	94	73
STA. TO STA.		FED. ROAD DIST. NO. 1 ILLINOIS FED. AID PROJECT		
CONTRACT NO. 60640				



PLAN OF PIER 2
(Looking North)



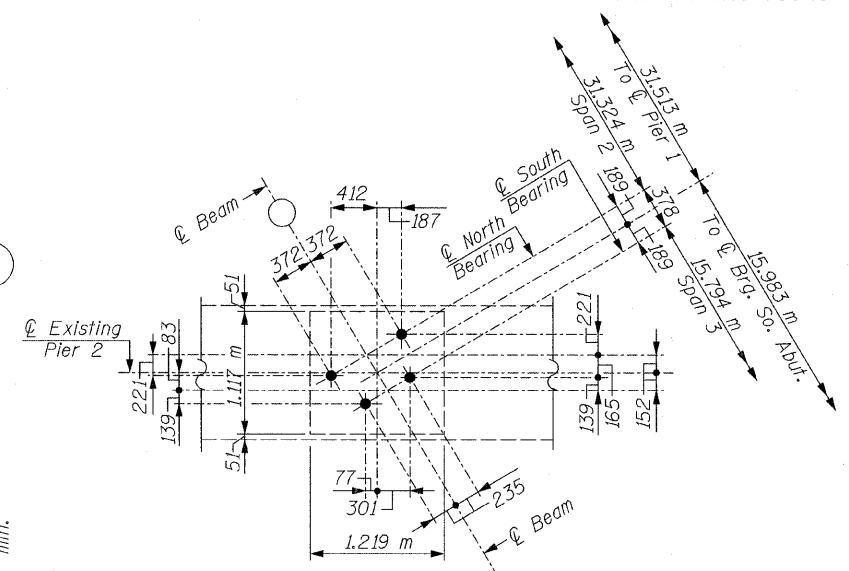
PIER REPAIR
(Looking North)
EXISTING PIER 2



PIER REPAIR
(Looking North)
EXISTING PIER 2

NOTE:
Repair of the existing Pier shall include but not be limited to the areas shown. The actual areas to be repaired will be determined by the Engineer at the time of construction.

* Cost included with Structural Repair of Concrete (Depth equal to or less than 125mm)



ANCHOR BOLT LAYOUT
EXISTING PIER 2

Top of Existing Bearing Pad Elevations		
Beam No.'s.	∅ So. Brg. Pier 2	∅ No. Brg. Pier 2
1	El. 186.589	El. 186.577
2	El. 186.702	El. 186.623
3	El. 186.743	El. 186.667
4	El. 186.790	El. 186.729
5	El. 186.836	El. 186.745
6	El. 186.830	El. 186.751
7	El. 186.830	El. 186.748
8	El. 186.779	El. 186.729
9	El. 186.787	El. 186.729
10	El. 186.687	El. 186.693

BILL OF MATERIAL

Item	Unit	Total
Epoxy Crack Sealing	m	1.5
Structural Repair of Concrete (Depth equal to or less than 125mm)	m ²	29.4

LEGEND

- Structural Repair of Concrete (Depth equal to or less than 125mm)
- Indicate Limits of Epoxy Crack Sealing

REVISIONS	
NAME	DATE

ILLINOIS DEPARTMENT OF TRANSPORTATION

PIER 2 REPAIRS
CENTRAL AVENUE (F.A.U. RTE. 2798)
OVER
INTERSTATE 90 (KENNEDY EXPWY.) & C.T.A.
F.A.I. RTE. 90 SECTION: 1213B-1
COOK COUNTY STATION 1+000.000
STRUCTURE NO. 016-0659

SCALE: NONE DRAWN BY: D.L./F.M.
DATE: JANUARY 16, 2009 CHECKED BY: B.M.S./J.C.M.

CHRISTIAN-ROGE & ASSOC., INC.
CHICAGO ILLINOIS