

EXAMPLE
 EB-TR-03

DIRECTION OF TRAFFIC: EB - EASTBOUND I-94, WB - WESTBOUND I-94, SI - STONY ISLAND FEEDER RAMPS

SIGN PANEL NUMBER

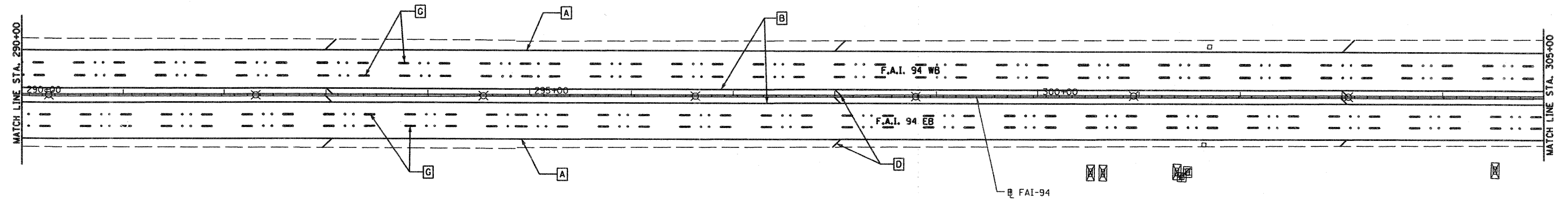
MOUNTING TYPE: TR - Truss, CL - Cantilever, BR - Bridge Mounted, WP - Wood Post, BS - Breakaway Steel, LP - Light Pole

REMOVE AND REPLACE SIGN PANEL (indicated by a square symbol)

EXISTING LUMINAIRE (indicated by a sun symbol)

PAVEMENT MARKING LEGEND

- A THERMOPLASTIC PAVEMENT MARKING - LINE 4" WHITE EDGE LINE
- B THERMOPLASTIC PAVEMENT MARKING - LINE 4" YELLOW EDGE LINE
- C THERMOPLASTIC PAVEMENT MARKING - LINE 8" WHITE EDGE LINE
- D THERMOPLASTIC PAVEMENT MARKING - LINE 12" PAVEMENT DIAGNOLS SPACED @ 500' CENTERS
- E THERMOPLASTIC PAVEMENT MARKING - LINE 12" WHITE GORE DIAGNOLS SPACED @ 30' CENTERS
- F PREFORMED PLASTIC PAVEMENT MARKING TYPE B, INLAID, LINE 4" WHITE LANE LINES - 2' DASH - 6' SKIP
- G PREFORMED PLASTIC PAVEMENT MARKING TYPE B, INLAID, LINE 5" WHITE LANE LINES - 10' DASH - 30' SKIP
- H POLYUREA PAVEMENT MARKING, TYPE I, LINE 4" WHITE EDGE LINE
- I POLYUREA PAVEMENT MARKING, TYPE I, LINE 4" YELLOW EDGE LINE
- J POLYUREA PAVEMENT MARKING, TYPE I, LINE 5" WHITE LANE LINES - 10' DASH - 30' SKIP
- K POLYUREA PAVEMENT MARKING, TYPE I, LINE 8" WHITE EDGE LINE
- L POLYUREA PAVEMENT MARKING, TYPE I, LINE 12" WHITE GORE DIAGNOLS SPACED @ 30' CENTERS



FILE NAME = 0160C08-080-PMK_8.dgn	USER NAME = dvoznitski	DESIGNED -	REVISED -	STATE OF ILLINOIS DEPARTMENT OF TRANSPORTATION	BISHOP FORD EXPRESSWAY (I-94) PAVEMENT MARKING AND SIGNING PLANS		F.A.I. RTE. 94	SECTION 0312-708W, ETC. & 1315RS-4	COUNTY COOK	TOTAL SHEETS 167	SHEET NO. 80	
PLOT SCALE = 100.00' / IN.	CHECKED -	REVISED -	REVISED -		SCALE: 1" = 50'	SHEET NO. 8 OF 21 SHEETS	STA. 275+00 TO STA. 305+00	FED. ROAD DIST. NO.	ILLINOIS FED. AID PROJECT	CONTRACT NO. 60C08		
PLOT DATE = 2/6/2009	DATE = 2/6/2009	REVISED -	REVISED -									