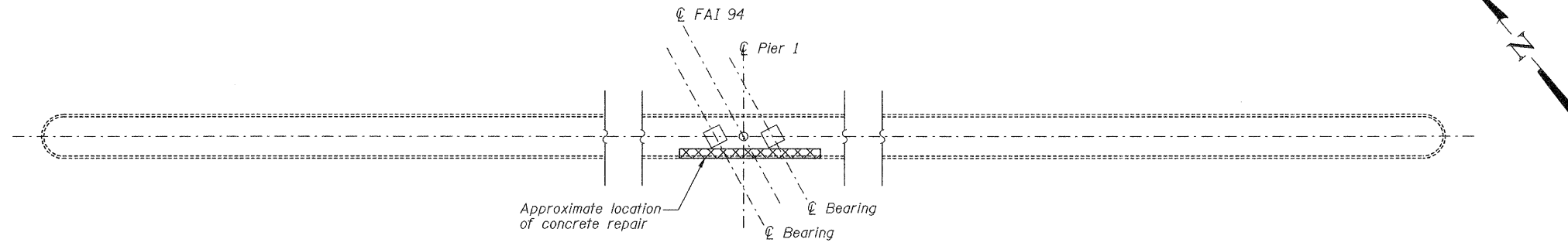
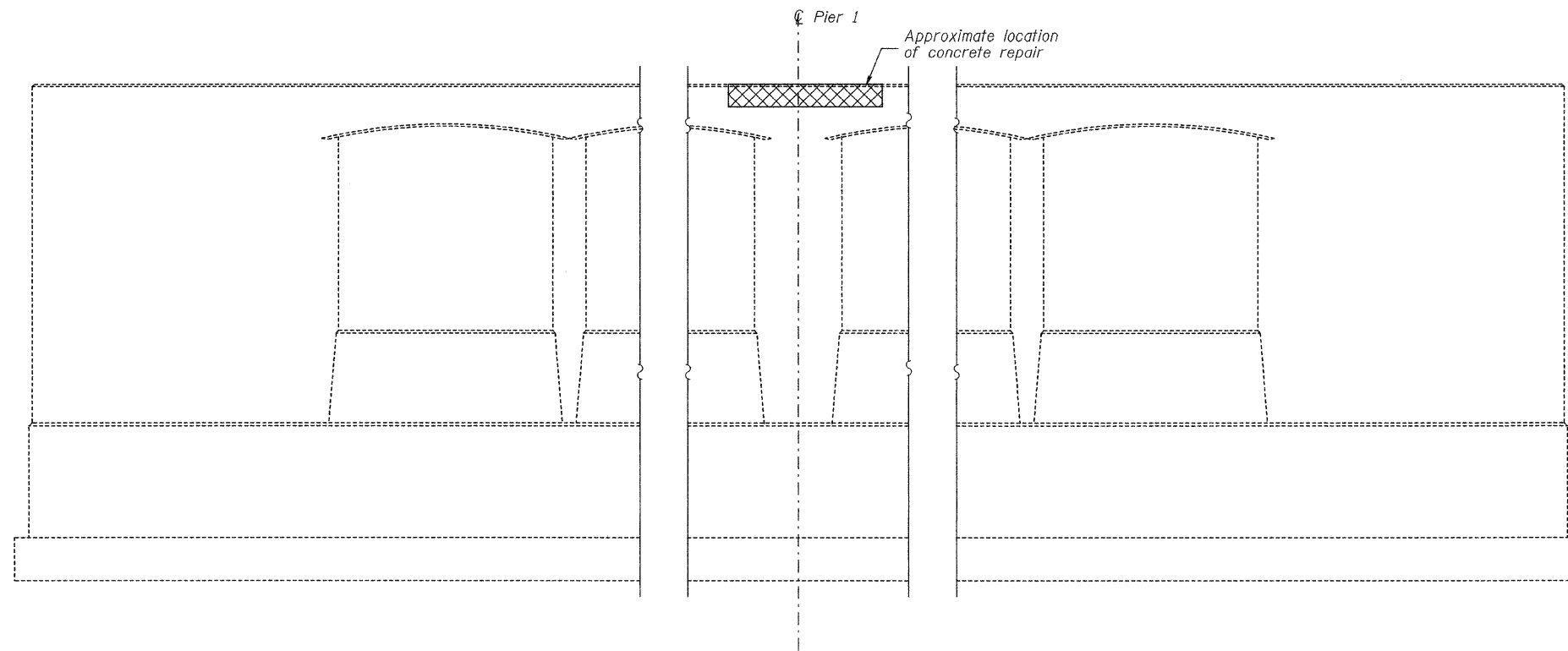


STATE OF ILLINOIS  
DEPARTMENT OF TRANSPORTATION



**PIER 1 REPAIR PLAN**



**PIER 1 REPAIR ELEVATION**

**BILL OF MATERIAL**

Item	Unit	Total
Structural Repair of Concrete (Depth Greater Than 5")	Sq. Ft.	10.0

**PIER 1 REPAIR DETAILS**  
**BISHOP FORD EXPRESSWAY (I-94)**  
**GREENWOOD AVENUE**  
**COOK COUNTY**  
**STATION**  
**STRUCTURE NUMBER 016-0162**

DESIGNED -	
CHECKED -	
DRAWN -	R KING
CHECKED -	

**HOMER L. CHASTAIN & ASSOCIATES, LLP**  
CONSULTING ENGINEERS  
DECATUR (217) 422-8544  
CHICAGO (773) 714-0050  
ROCKFORD (815) 489-0050  
184-001597

 Formed Concrete Repair Depth ≥ 5"

SHEET NO. 13 OF 17 SHEETS	F.A.I. RTE.	SECTION	COUNTY	TOTAL SHEETS	SHEET NO.
	94	(0405,ETC,42-7&0707)RS-11	COOK	133	82
BISHOP FORD EXPRESSWAY (I-94)			CONTRACT NO. 60D21		
FED. ROAD DIST. NO. _ ILLINOIS FED. AID PROJECT					