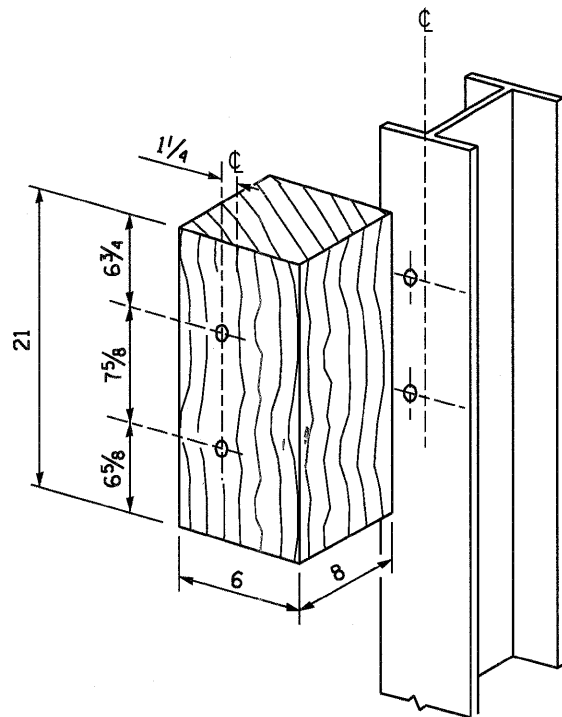


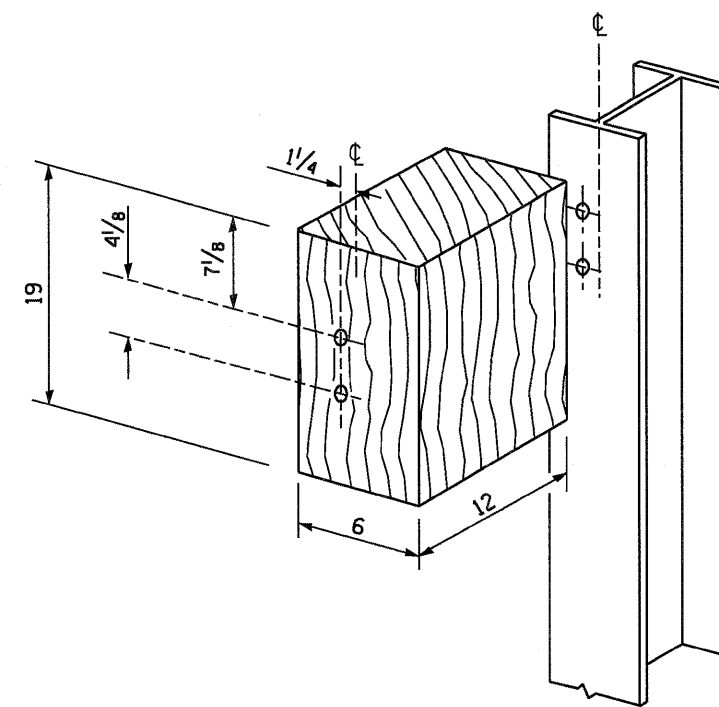
THRIE BEAM END SHOE DETAIL

NTS



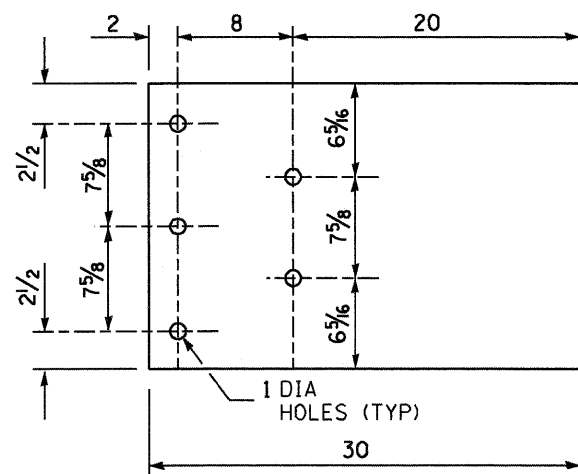
APPROACH POSTS 1-10 WOOD BLOCKOUT DETAIL

NTS



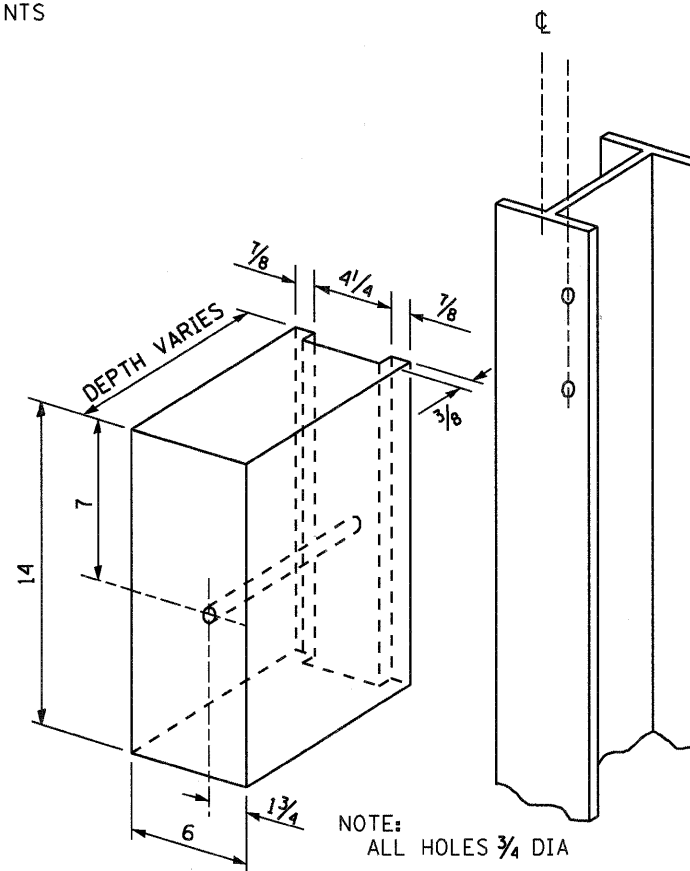
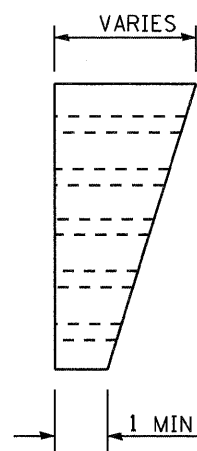
APPROACH POST 11-12 WOOD BLOCKOUT DETAIL

SEE STANDARD 630001 FOR POST 13-17 BLOCKOUTS
NTS



PARAPET WOOD BLOCK-OUT DETAIL

NTS



DEPARTURE WOOD BLOCKOUT DETAILS

POST 1-7 DEPTH = 8"
POST 8-10 DEPTH VARIES
SEE STANDARD 630001 FOR POST 11-17 BLOCKOUTS
NTS

NOTE:
NO PLASTIC BLOCKOUTS PERMITTED.

FILE NAME = D160021-186-BARRIER_BLOCKOUT_DETAIL.dgn	USER NAME = dwozniarski	DESIGNED - DRAWN - DMW, GDS	REVISED - REVISED -	STATE OF ILLINOIS DEPARTMENT OF TRANSPORTATION	BISHOP FORD EXPRESSWAY (I-94) TRAFFIC BARRIER TERMINAL TYPE 6 (SPECIAL)			F.A.J. RTE. 94	SECTION (0405,ETC,42-T&0707RS-11)	COUNTY COOK	TOTAL SHEETS 133	SHEET NO. 106
PLOT SCALE = N/A	CHECKED -	REVISED -	REVISED -		SCALE: N/A	SHEET NO. 2 OF 2 SHEETS	STA.	TO STA.	FED. ROAD DIST. NO.	ILLINOIS FED. AID PROJECT	CONTRACT NO. 60021	
PLOT DATE = 2/5/2009	DATE - 2/5/2009	REVISED -	REVISED -									