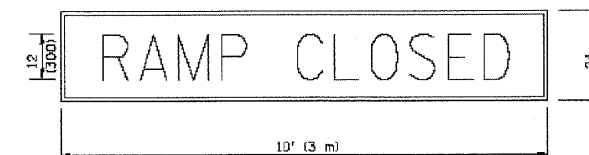


F.A. I. RTE.	SECTION	COUNTY	TOTAL SHEETS	SHEET NO.
94		COOK	133	114
STA.	TO STA.			
FED. ROAD DIST. NO.	ILLINOIS	FED. AID PROJECT		

• (0405,ETC,42-T&0707RS-11

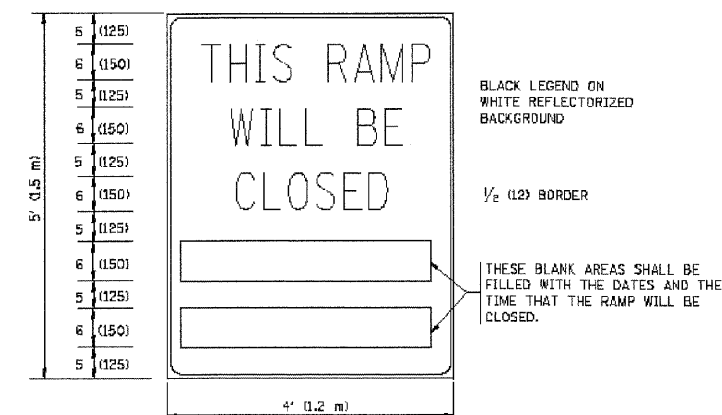
RAMP CLOSURE ADVANCE WARNING SIGN



BLACK LEGEND ON ORANGE REFLECTORIZED BACKGROUND
1 (25) BORDER

THESE SIGNS ARE REQUIRED ON ALL THE EXIT GUIDE SIGNS FOR THE CLOSED EXIT RAMP.

RAMP CLOSURE ADVANCE INFORMATION SIGN



THESE SIGNS ARE REQUIRED ON BOTH SIDES OF THE RAMP, MINIMUM OF 1 WEEK IN ADVANCE OF THE CLOSURE.

GENERAL NOTES:

- CONES MAY BE SUBSTITUTED FOR DRUMS OR TYPE II BARRICADES DURING DAY OPERATIONS. CONES SHALL BE A MINIMUM OF 28 (700) HIGH.
- STEADY BURN LIGHTS WILL NOT BE REQUIRED FOR DAY OPERATIONS.
- A FLAGGER SHALL BE POSITIONED AT EACH CLOSED RAMP THAT IS OPEN TO CONSTRUCTION VEHICLES.
- ALL ROUTE MARKERS AND TRAILBLAZER ASSEMBLIES WHICH DIRECT MOTORISTS TO A CLOSED ENTRANCE RAMP SHALL BE COVERED.
- THE SIGNING AND BARRICADING WHICH IS REQUIRED BY THIS DETAIL SHALL BE INCLUDED IN THE COST OF TRAFFIC CONTROL AND PROTECTION (EXPRESSWAYS).
- AUTHORIZATION FROM THE DISTRICT'S BUREAU OF TRAFFIC IS REQUIRED FOR ALL RAMP CLOSURES.
- THE RAMP CLOSURE ADVANCE INFORMATION SIGNS SHALL BE ERECTED IF THE CLOSURE TIME EXCEEDS TWENTY-FOUR (24) HOURS. ADDITIONAL ADVANCE WARNING SIGNS ON EXIT GUIDE SIGNING WILL BE REQUIRED FOR EXIT RAMP CLOSURES THAT EXCEED TWENTY FOUR (24) HOURS IN LENGTH.

ALL DIMENSIONS ARE IN INCHES (MILLIMETERS) UNLESS OTHERWISE SHOWN.

REVISIONS	
NAME	DATE
DWS	2-83
DWS	1/90
DWS	9/94
DWS	12/94
DWS/JAF	12/02
JAF	2/06
SPB	1/07
Revise devices to meet NCHRP 350	4/03

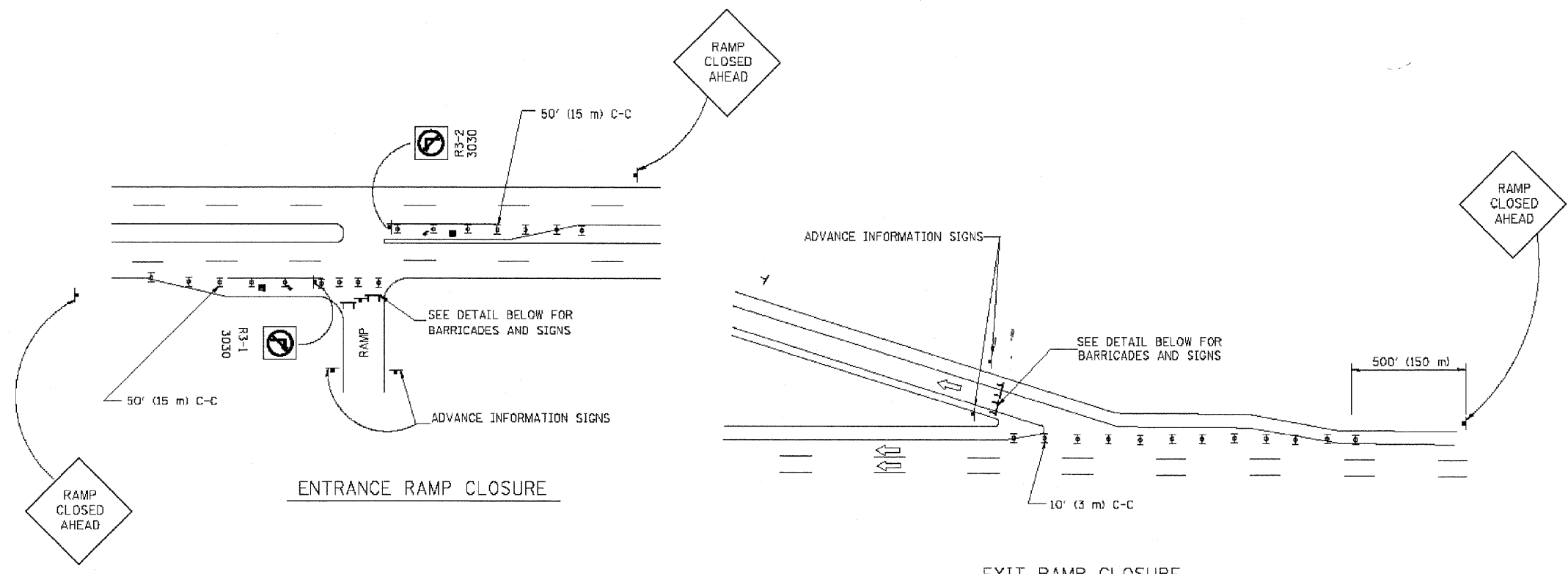
ILLINOIS DEPARTMENT OF TRANSPORTATION

**FREWAY
ENTRANCE AND EXIT RAMP
CLOSURE DETAILS**

SCALE: NONE

DRAWN BY
CHECKED BY

TC-8

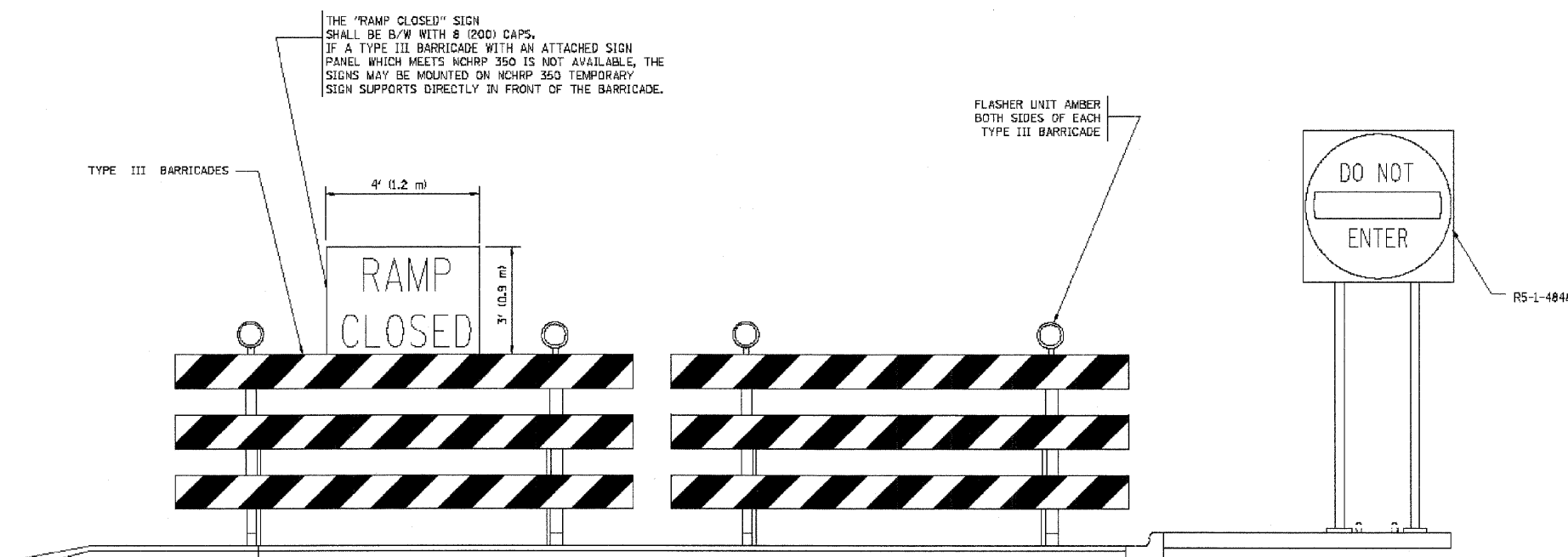


ENTRANCE RAMP CLOSURE

EXIT RAMP CLOSURE

THE "RAMP CLOSED" SIGN SHALL BE B/W WITH 8 (200) CAPS. IF A TYPE III BARRICADE WITH AN ATTACHED SIGN PANEL WHICH MEETS NCHRP 350 IS NOT AVAILABLE, THE SIGNS MAY BE MOUNTED ON NCHRP 350 TEMPORARY SIGN SUPPORTS DIRECTLY IN FRONT OF THE BARRICADE.

FLASHER UNIT AMBER BOTH SIDES OF EACH TYPE III BARRICADE



DETAIL FOR REQUIRED BARRICADES & SIGNS

SYMBOLS

- TYPE II BARRICADE, DRUM OR VERTICAL BARRICADE WITH STEADY BURN MONO-DIRECTIONAL LIGHT
- TYPE III BARRICADE WITH FLASHING LIGHT