

SUGGESTED STAGING AND MAINTENANCE OF TRAFFIC

CONSTRUCTION STAGING

STAGE I (SOUTHBOUND LANE CONSTRUCTION)

- REMOVE HMA WEARING SURFACE ON SOUTHBOUND HALF OF BRIDGE AND PLACE PROPOSED BRIDGE DECK LATEX CONCRETE OVERLAY.

STAGE II (NORTHBOUND LANE CONSTRUCTION)

- REMOVE HMA WEARING ON NORTHBOUND HALF OF BRIDGE AND PLACE PROPOSED BRIDGE DECK LATEX CONCRETE OVERLAY.
- RESURFACE BOTH LANES OF PAVEMENT.

MAINTENANCE OF TRAFFIC

STAGE I

- INSTALL TEMPORARY BRIDGE TRAFFIC SIGNALS AND TEMPORARY LIGHTING.
USE DAILY LANE CLOSURES, SEE IDOT STANDARD 701201 - LANE CLOSURE, 2L, 2W, DAY ONLY, FOR SPEEDS > 45 MPH.
- CLOSE SOUTHBOUND LANE AND MAINTAIN ONE-LANE TWO-WAY TRAFFIC ON NORTHBOUND PAVEMENT ACROSS BRIDGE AS SHOWN ON THE SUGGESTED MAINTENANCE OF TRAFFIC AND STAGING PLAN AND IDOT STANDARD 701316.

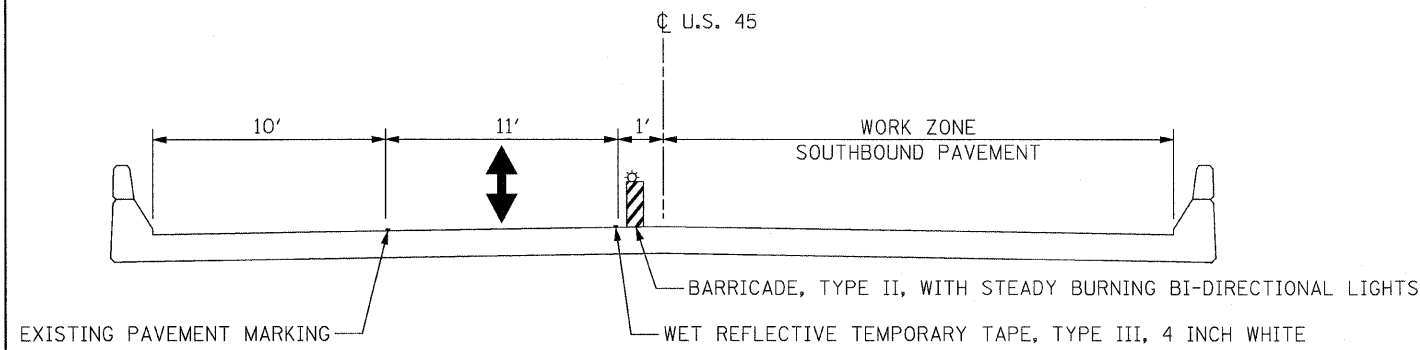
STAGE II

- SHIFT ONE-LANE TWO-WAY TRAFFIC TO SOUTHBOUND PAVEMENT ACROSS BRIDGE AS SHOWN ON THE SUGGESTED MAINTENANCE OF TRAFFIC AND STAGING PLAN AND IDOT STANDARD 701316.
- REMOVE TEMPORARY BRIDGE TRAFFIC SIGNALS AND USE DAILY LANE CLOSURES TO RESURFACE THE PAVEMENT ADJACENT TO THE BRIDGE.
SEE IDOT STANDARD 701201 - LANE CLOSURE, 2L, 2W, DAY ONLY, FOR SPEEDS > 45 MPH.

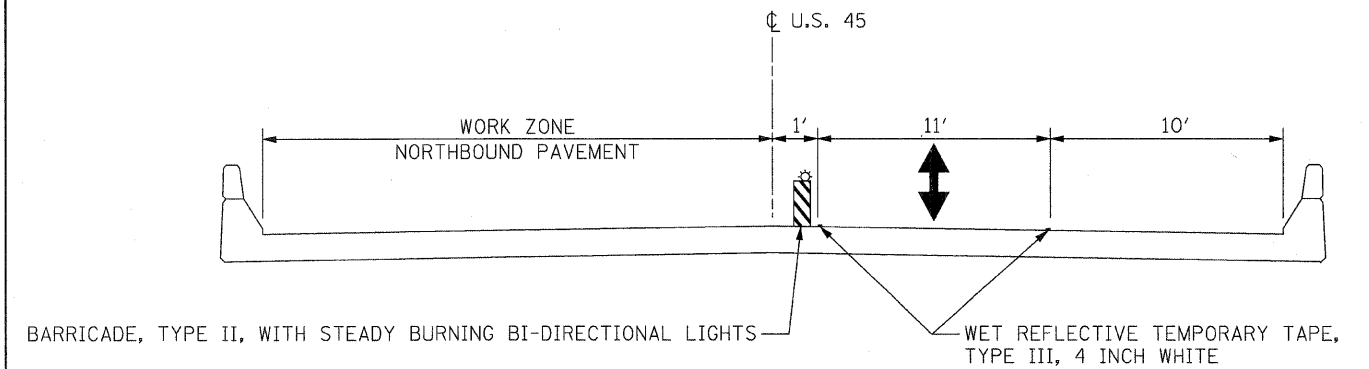
TRAFFIC CONTROL GENERAL NOTES

TRAFFIC CONTROL GENERAL NOTES

1. THE CONTRACTOR SHALL NOT MOUNT SIGNS ON EXISTING SIGNS.
2. FLUORESCENT VESTS: ALL CONSTRUCTION PERSONNEL WILL BE REQUIRED TO WEAR FLUORESCENT VESTS AT ALL TIMES WHILE ON THE CONSTRUCTION SITE. COMPLIANCE WITH THIS REQUIREMENT SHALL BE CONSIDERED INCIDENTAL TO THE CONTRACT.
3. CONTRACTOR SHALL MAINTAIN SATISFACTORY INGRESS AND EGRESS TO ADJACENT PROPERTIES THROUGHOUT THE CONSTRUCTION.
4. INSTALL TEMPORARY SIGN PANEL ASSEMBLY AS SHOWN IN PLANS AND AS DIRECTED BY THE ENGINEER. TO BE PAID FOR BY ITEM "TEMPORARY INFORMATION SIGNING FOR LANE CLOSURE".
5. EACH DETECTOR LOOP SHALL BE CONNECTED TO A SEPARATE DETECTOR AMPLIFIER.
6. ALL TEMPORARY PAVEMENT MARKING SHALL BE WET REFLECTIVE TEMPORARY TAPE, TYPE III.
7. THE FIRST TWO SIGNS ENTERING THE WORK ZONE SHALL HAVE MONO-DIRECTIONAL FLASHING BEACONS.
8. USE SUGGESTED TRAFFIC CONTROL AND STAGING PLAN IN CONJUNCTION WITH STANDARD 701316.
9. EMERGENCY PREEMPTION WILL BE REQUIRED FOR THE TEMPORARY BRIDGE TRAFFIC SIGNALS. THE COST OF THIS WILL BE INCLUDED IN THE CONTRACT UNIT PRICE FOR TEMPORARY BRIDGE TRAFFIC SIGNAL INSTALLATION.



DECK CROSS SECTION - STAGE I



DECK CROSS SECTION - STAGE II

FILE NAME = D:\60067-sh-t-staging1.dgn
PLOT DATE = 1/12/2009

CHRISTIAN-ROGE & ASSOCIATES, INC.
ENGINEERS-PLANNERS-SURVEYORS
211 WEST WACKER DRIVE
CHICAGO, ILLINOIS 60606
PHONE: (312)372-2023 FAX: (312)372-5274

DESIGNED - S.J.P.	REVISED -
DRAWN - A.C.S.	REVISED -
CHECKED - E.J.M.	REVISED -
DATE - JANUARY 12, 2009	REVISED -

**STATE OF ILLINOIS
DEPARTMENT OF TRANSPORTATION**

**SUGGESTED MAINTENANCE OF TRAFFIC NOTES AND DETAILS
U.S. 45**

SCALE: NONE SHEET NO. 1 OF 2 SHEETS STA. TO STA.

F.A.P. RTE.	SECTION	COUNTY	TOTAL SHEETS	SHEET NO.
330	105 B-3-I	WILL	18	7
CONTRACT NO. 60D67				
FED. ROAD DIST. NO. 1 ILLINOIS FED. AID PROJECT				