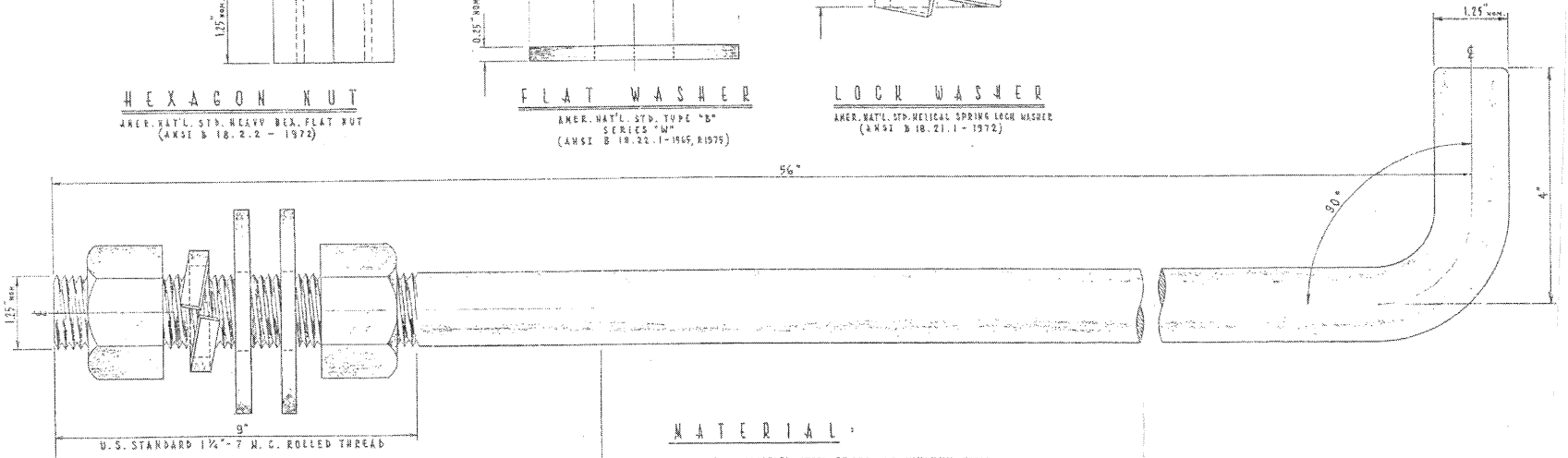


**HEXAGON NUT**  
AMER. NAT'L. STD. HEAVY HEX. FLAT NUT  
(ANSI & B 18.2.2 - 1974)

**FLAT WASHER**  
AMER. NAT'L. STD. TYPE "B" SERIES "M"  
(ANSI & B 18.22.1-1965, B1975)

**LOCK WASHER**  
AMER. NAT'L. STD. HELICAL SPRING LOCK WASHER  
(ANSI & B 18.21.1 - 1972)

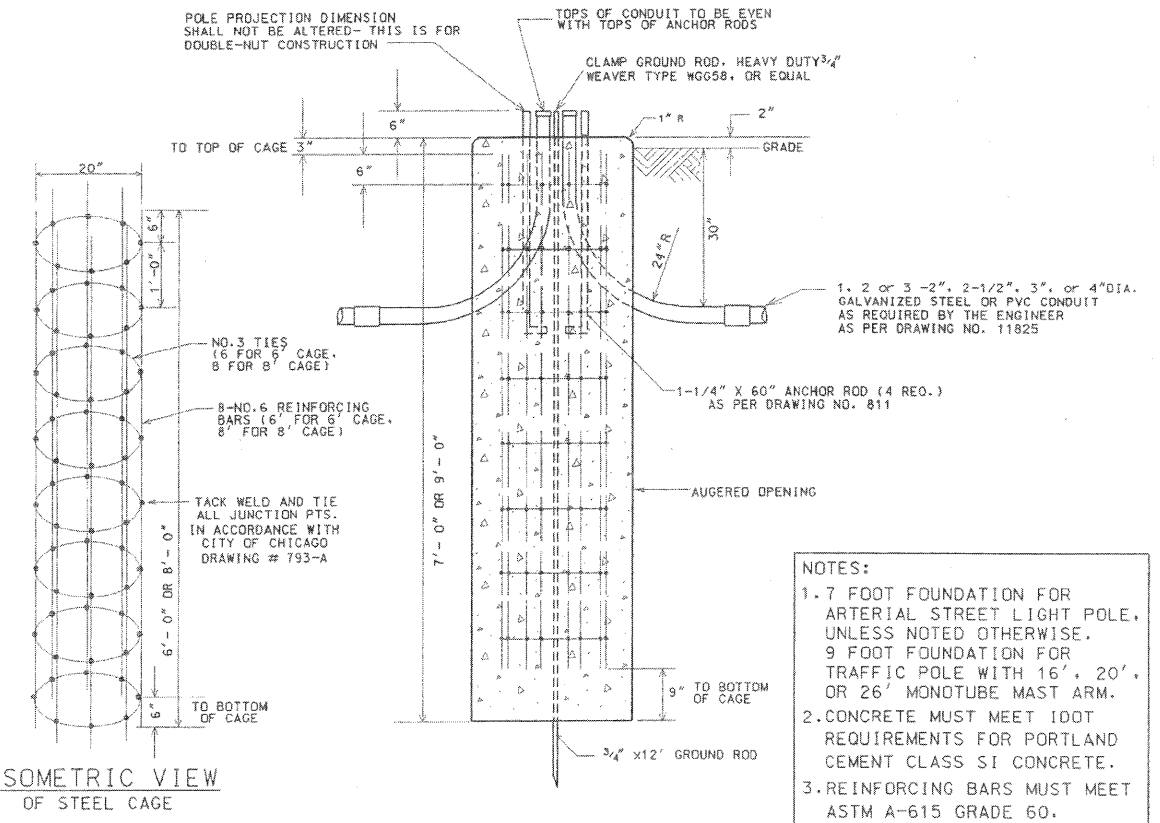
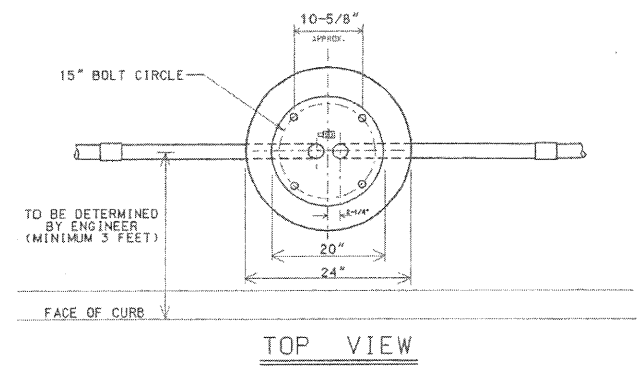


**MATERIAL**

ASTM A400, CLASS B-2 MODIFIED STEEL, 55,000 LBS. MINIMUM YIELD.

**HARDWARE** TO BE FURNISHED & ATTACHED IN PLACE ON ROD FOR SHIPPING:  
2 HEX. NUTS, HEAVY GALV., 1/4"  
2 WASHERS, STEEL, ROUND, GALV., TYPE "B", SERIES "M", 1/4"  
1 WASHER, LOCK, STEEL, GALV., HELICAL SPRING, REGULAR, 1/4"  
BOLT & NUTS SHALL HAVE AN AMERICAN STANDARD CLASS 2 OR 3 FIT.  
(NUT IS TAPPED OVERSIZE BY 1/32")

<b>1 1/4" x 60"</b>	
<b>STEEL ANCHOR ROD</b>	
COMMODITY CODE 37-8180-0236	
REVISED	CITY OF CHICAGO
RE DRAWN	DEPT. OF STREETS AND SANITATION
	BUREAU OF ELECTRICITY
	DIVISION OF ELECTRICAL ENGINEERING
	DRAWN
	CHECKED
	IN CHARGE
	DATE
	SCALE
	DATE
<b>811</b>	



NOTE: HOLE FOR FOUNDATION MUST BE AUGURED IN UNDISTURBED SOIL

CODE	COMMODITY	SIZE	QUANTITY
05-3267-2940	REDI-MIX CONCRETE	CU. YD.	0.82 OR 1.05
09-4001-	ELBOW, LARGE RADIUS	2", 2-1/2", 3", 4"	VARIES
37-8180-0200	ANCHOR ROD	1-1/4" x 60"	4
05-5054-6910	RE-BAR CAGE	20" x 6" (or 8")	1
09-7796-9200	GROUND ROD	3/4" x 12'-0"	1
09-2636-3240	GROUND ROD CLAMP	3/4"	1
09-2092-	GROUND BUSHING	2", 2-1/2", 3" OR 4"	VARIES

**NOTES:**

- 7 FOOT FOUNDATION FOR ARTERIAL STREET LIGHT POLE, UNLESS NOTED OTHERWISE. 9 FOOT FOUNDATION FOR TRAFFIC POLE WITH 16', 20', OR 26' MONOTUBE MAST ARM.
- CONCRETE MUST MEET IDOT REQUIREMENTS FOR PORTLAND CEMENT CLASS SI CONCRETE.
- REINFORCING BARS MUST MEET ASTM A-615 GRADE 60.

8/21/02	SUPERCEDES DWG #918 DRAWN 4/21/81
DATE	REVISION
<b>FOUNDATION FOR 34'-6" ARTERIAL STREET LIGHT OR TRAFFIC SIGNAL POLE - 3 OR 7 GAUGE WITH 15" BOLT CIRCLE</b>	
CITY OF CHICAGO DEPT. OF STREETS AND SANITATION BUREAU OF ELECTRICITY DIVISION OF ELECTRICAL ENGINEERING	
DRAFTSMAN: B. GARNSEY	CHIEF DRAFTSMAN: ENGINEER: J.R. CARTER
ELECTRICAL ENGINEER	ENGINEER
ENGINEER OF ELECTRICITY	DRAWING NO.
GENERAL SUPERVISOR	<b>818</b>
DEPUTY SUPERVISOR	DATE: 8/21/02
SIZE: 11" x 17"	SCALE: NONE