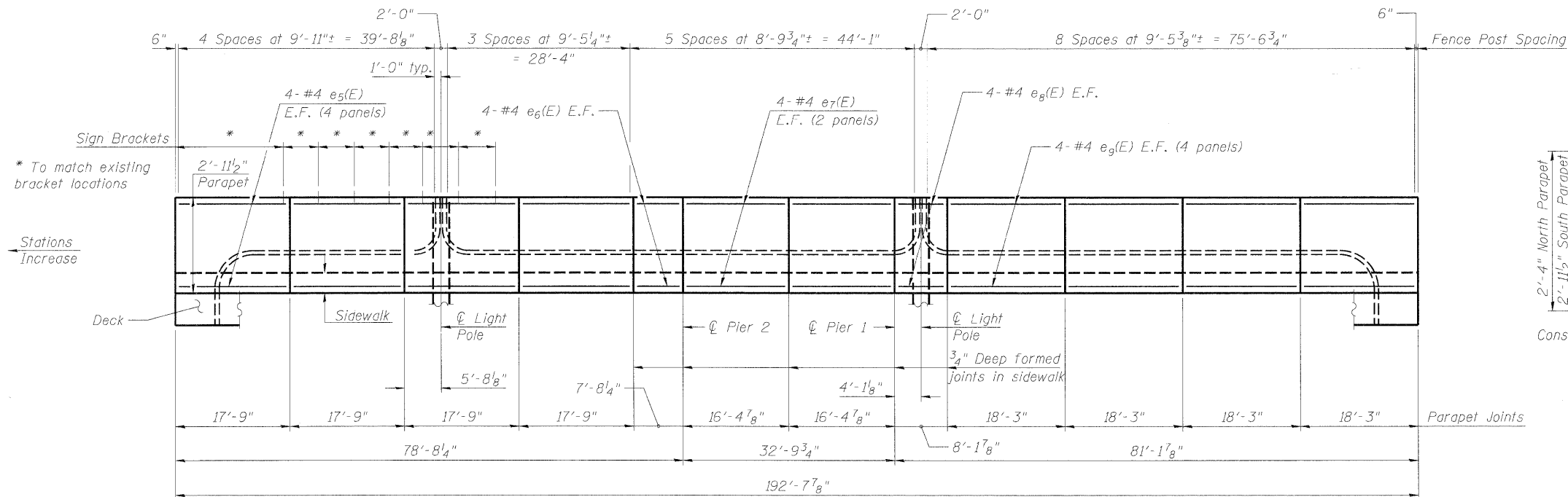


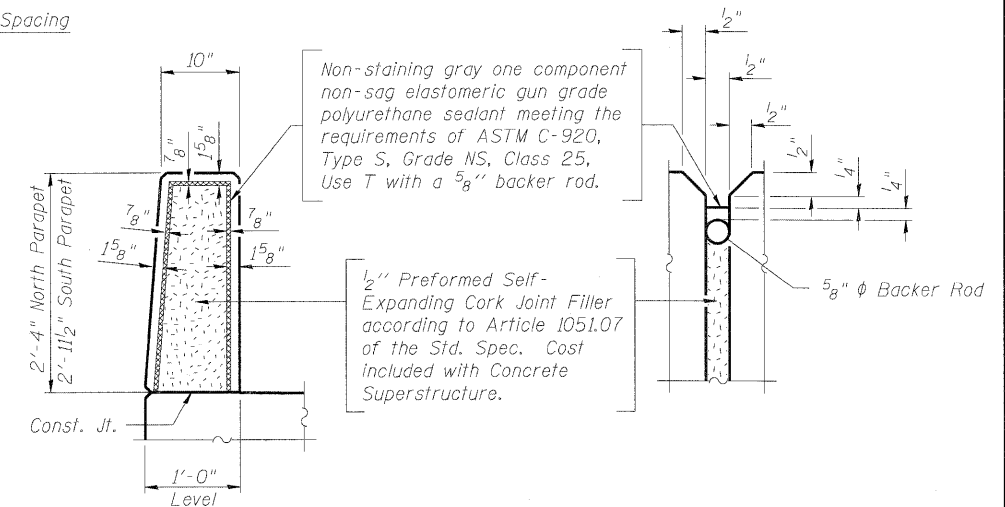
INSIDE ELEVATION OF NORTH PARAPET

Dimensions are along inside face of parapet.



INSIDE ELEVATION OF SOUTH PARAPET

Dimensions are along inside face of parapet.



PARAPET JOINT DETAILS

NOTES:

1. See Sheet SA9 for vertical parapet reinforcement.
2. See Sheet SA13 for bridge fence railing details.
3. See Sheet SA31 for bridge mount sign connection details.
4. See Sheet SA12 for Light Pole Mount details.

FILE NAME = 0161064-SA11-PAR.dgn



PLOT DATE = 1/12/2009

DESIGNED - MBO	REVISED - ---
DRAWN - MBO	REVISED - ---
CHECKED - JRW	REVISED - ---
DATE - 1/13/09	REVISED - ---

**STATE OF ILLINOIS
DEPARTMENT OF TRANSPORTATION**

PARAPET DETAILS
F.A.P. 392 FRANKLIN CONNECTOR (AT 26th STREET)
STRUCTURE NO. 016-1064

SCALE: NTS

SHEET NO. SA11 OF SA31 SHEETS

STA. 11+81.01

F.A.P. RTE.	SECTION	COUNTY	TOTAL SHEETS	SHEET NO.
392	1717-2-3B-R	COOK	114	58
FED. ROAD DIST. NO. 7 ILLINOIS FED. AID PROJECT			CONTRACT NO. 62197	