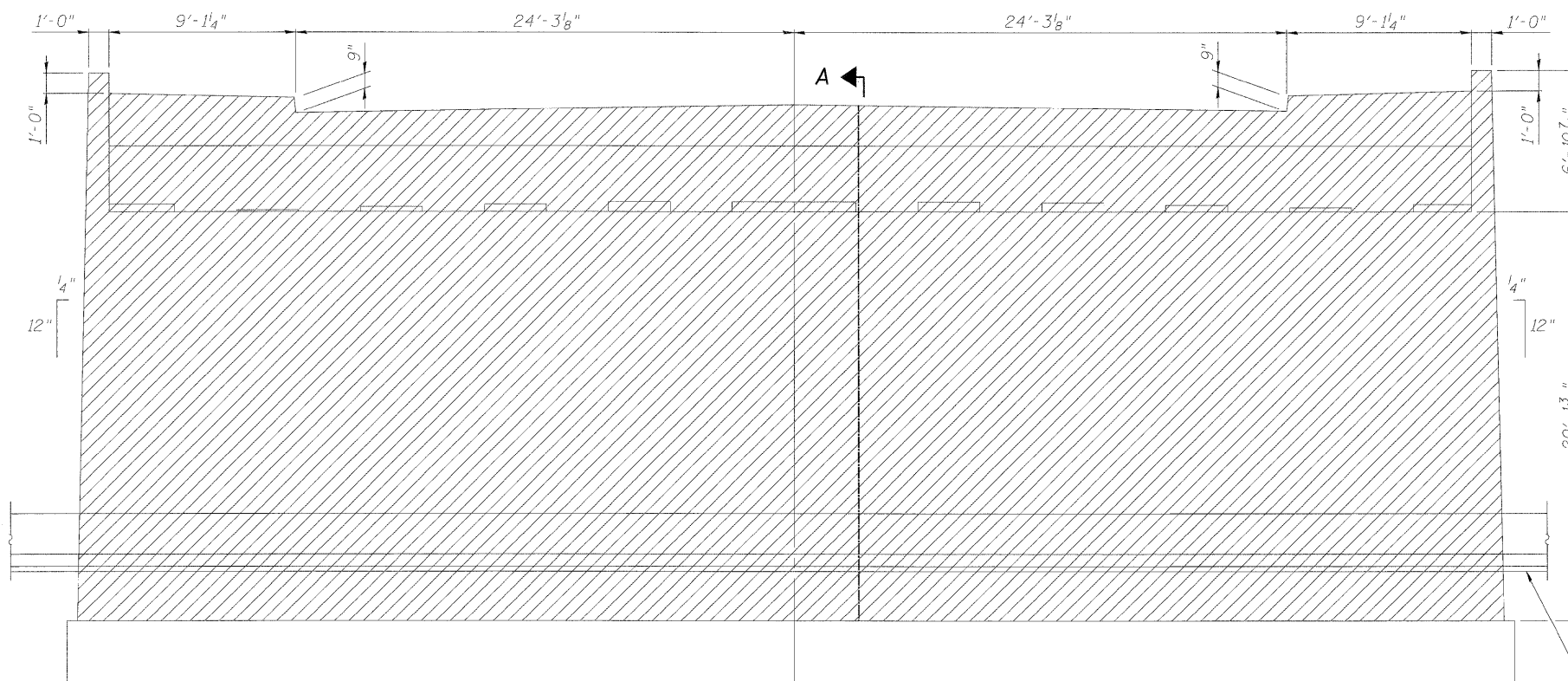


**PLAN ABUTMENT B**

**NOTES:**

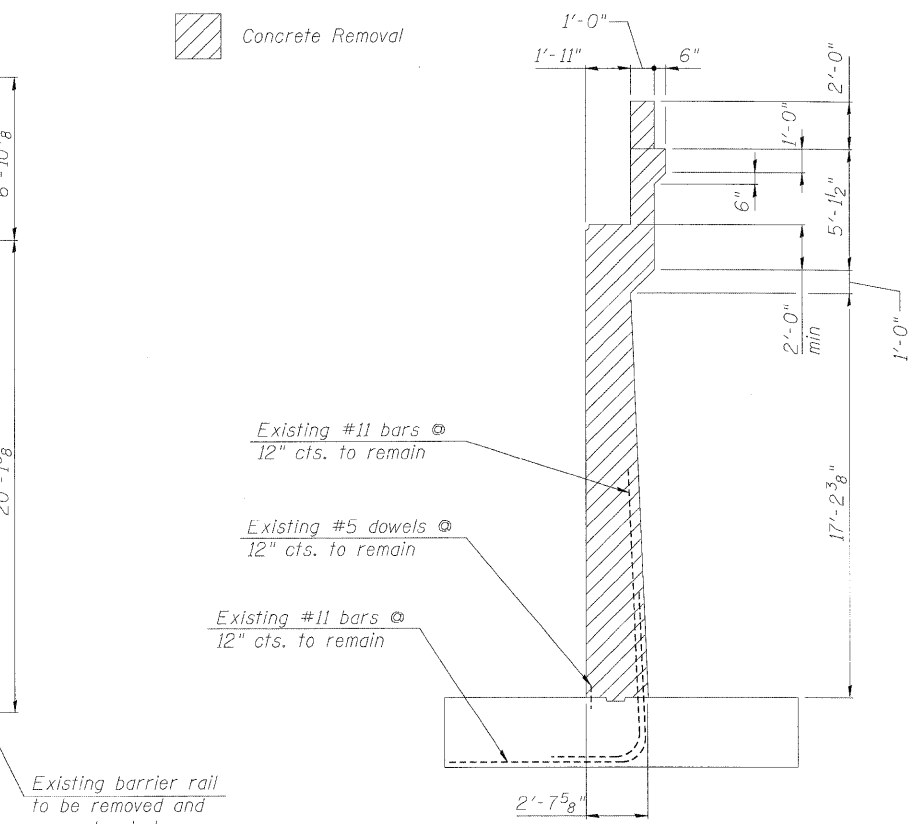
1. Hatched areas indicate Concrete Removal.
2. Abutment reinforcement identified as 'existing to remain' shall be cleaned, straightened and incorporated into the new construction. Cost included with Concrete Removal.
3. Any reinforcement bars that are damaged during concrete removal operations shall be repaired or replaced using an approved bar splicer or anchorage system. Cost included with Concrete Removal.



**ELEVATION ABUTMENT B**

**LEGEND:**

Concrete Removal



**SECTION A-A**

FILE NAME = 0161064-SA23-BREM.dgn



PLOT DATE = 1/12/2009

DESIGNED - JRW	REVISED -
DRAWN - JRW	REVISED -
CHECKED - SJB	REVISED -
DATE - 1/13/09	REVISED -

**STATE OF ILLINOIS  
DEPARTMENT OF TRANSPORTATION**

**ABUTMENT B REMOVALS**

F.A.P. 392 FRANKLIN CONNECTOR (AT 26th STREET)  
STRUCTURE NO. 016-1064

SCALE: NTS

SHEET NO. SA23 OF SA31 SHEETS

STA. 11+81.01

F.A.P. RTE.	SECTION	COUNTY	TOTAL SHEETS	SHEET NO.
392	1717-2-3B-R	COOK	114	70
FED. ROAD DIST. NO. 7 ILLINOIS FED. AID PROJECT			CONTRACT NO. 62197	