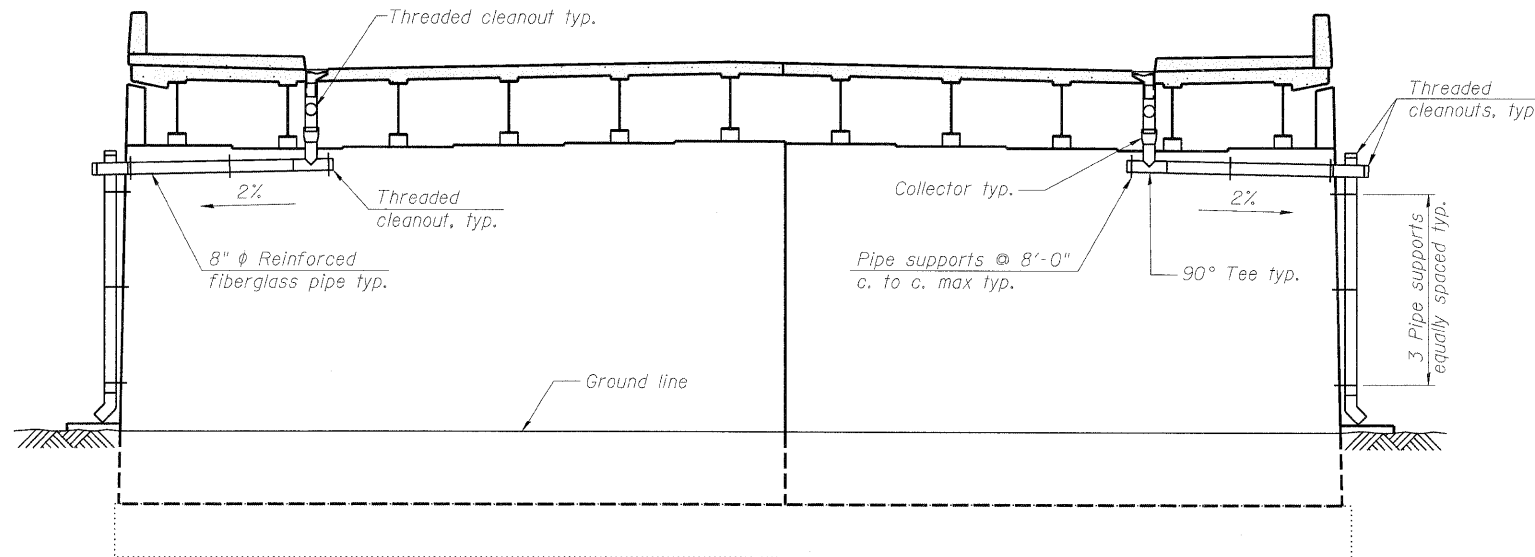
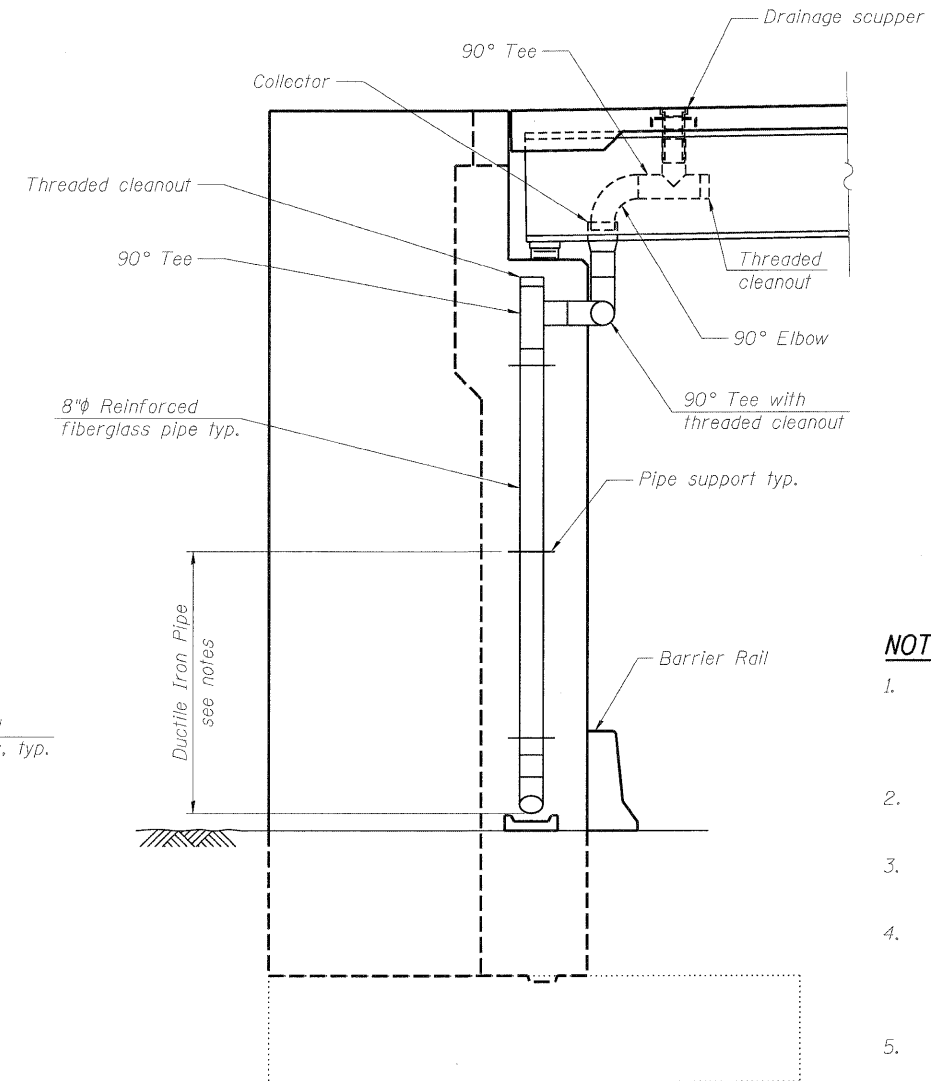


ELEVATION ABUTMENT A
(Barrier Rail not shown)



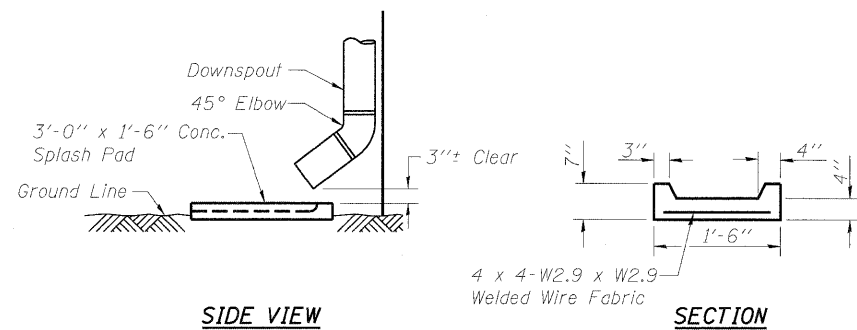
ELEVATION ABUTMENT B
(Barrier Rail not shown)



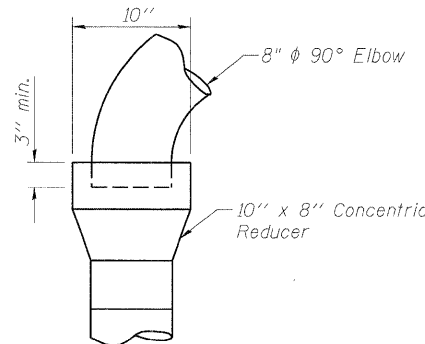
TYPICAL ABUTMENT END VIEW
(Opposite end similar)

NOTES:

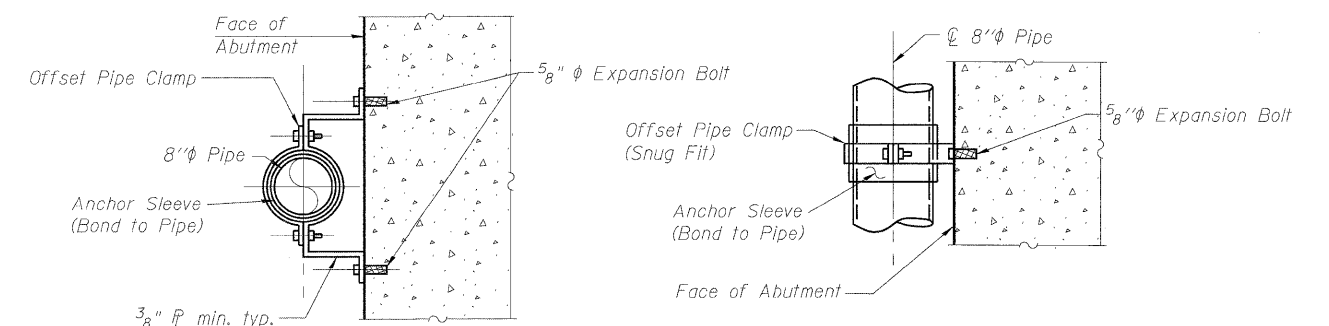
1. All pipes and fittings shall be reinforced fiberglass according to ASTM D 2996 RTRP with a 30,000 psi minimum short-time rupture strength hoop tensile stress.
2. All pipe supports and associated hardware shall be hot-dip galvanized according to AASHTO M 232.
3. Expansion bolts shall conform to the requirements of ASTM A 307 and shall be galvanized according to AASHTO M 232.
4. All costs associated with the installation of the downspouts, fittings, hardware, splash pads, and incidental items shall be included in the lump sum price for Drainage System.
5. The bottom 10' of the exposed vertical drainage pipe shall be ductile iron pipe. Ductile iron pipe shall conform to ASTM A377 and ductile iron fittings (castings) shall conform to ASTM A536. The cost of the ductile iron pipe shall be included in the lump sum price for Drainage System.



SPLASH PAD DETAIL



COLLECTOR FITTING DETAIL



PIPE SUPPORT DETAIL