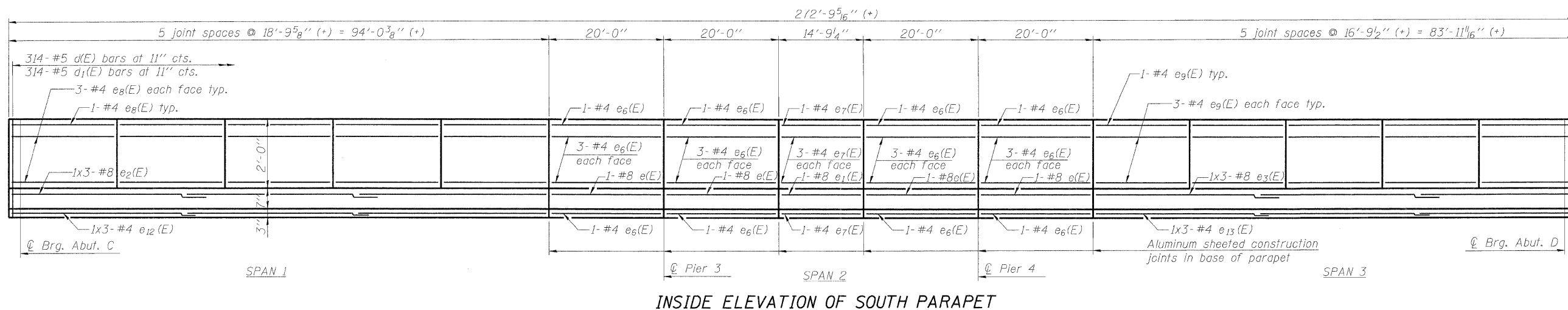


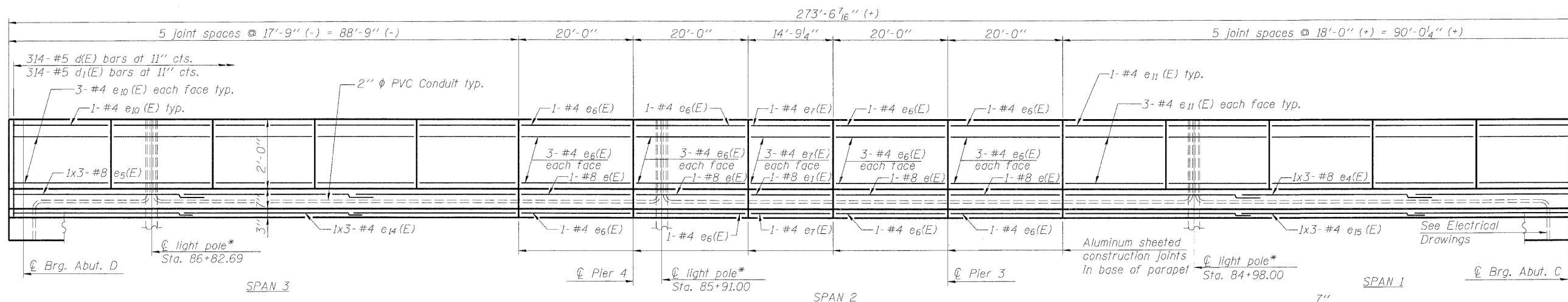
**SUPERSTRUCTURE  
BILL OF MATERIAL**

Bar	No.	Size	Length	Shape
a(E)	504	#5	29'-7"	—
a1(E)	386	#5	29'-2"	—
a2(E)	8	#5	24'-6"	—
a3(E)	506	#6	6'-0"	—
a4(E)	16	#5	1'-6"	—
a5(E)	16	#8	25'-8"	—
a6(E)	4	#7	25'-2"	—
a7(E)	9	#7	12'-5"	—
a8(E)	3	#7	7'-0"	—
a9(E)	9	#7	13'-3"	—
b(E)	341	#5	29'-3"	—
b1(E)	96	#6	35'-4"	—
b2(E)	331	#5	26'-9"	—
b3(E)	68	#5	5'-7"	—
d(E)	628	#5	5'-7"	—
d1(E)	628	#5	7'-7"	—
d2(E)	9	#6	4'-5"	—
d3(E)	15	#6	7'-7"	—
e(E)	8	#8	19'-8"	—
e1(E)	2	#8	14'-5"	—
e2(E)	3	#8	34'-1"	—
e3(E)	3	#8	30'-9"	—
e4(E)	3	#8	32'-9"	—
e5(E)	3	#8	32'-4"	—
e6(E)	64	#4	19'-8"	—
e7(E)	16	#4	14'-5"	—
e8(E)	35	#4	18'-5"	—
e9(E)	35	#4	16'-5"	—
e10(E)	35	#4	17'-5"	—
e11(E)	35	#4	17'-8"	—
e12(E)	3	#4	32'-4"	—
e13(E)	3	#4	29'-0"	—
e14(E)	3	#4	30'-7"	—
e15(E)	3	#4	31'-0"	—
Reinforcement Bars, Epoxy Coated	Pound		72,320	
Concrete Superstructure	Cu. Yds.		285	
Protective Coat	Sq. Yd.		1,050	
Bridge Deck Grooving	Sq. Yd.		820	

Bars indicated thus 1 x 3 - #5 etc. indicates 1 line of bars with 3 lengths per line.

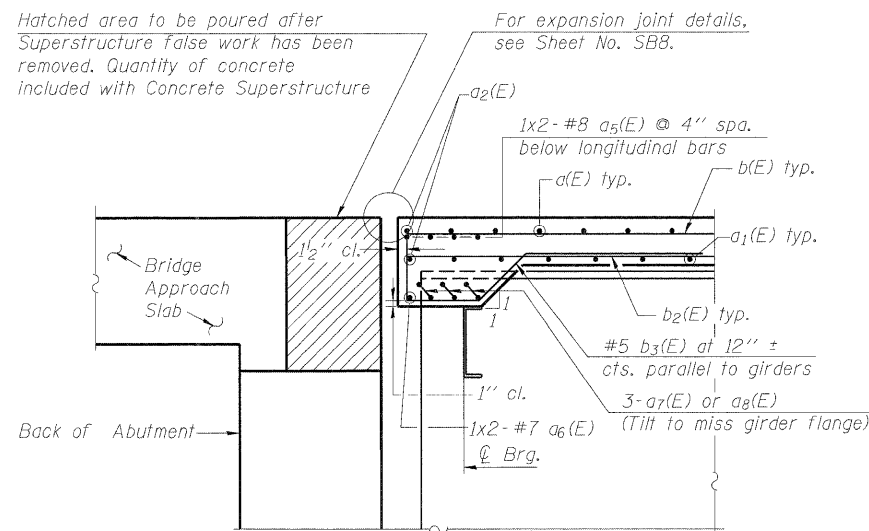


**INSIDE ELEVATION OF SOUTH PARAPET**

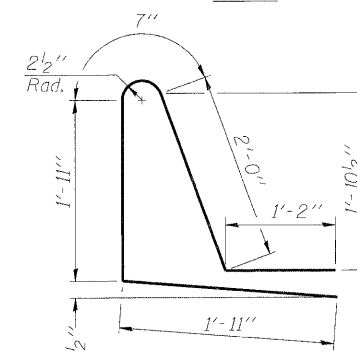


**INSIDE ELEVATION OF NORTH PARAPET**

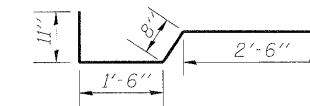
\* For additional parapet reinforcement at light pole locations see Sheet No. SB7.



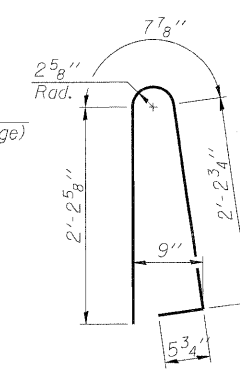
**SECTION A-A**



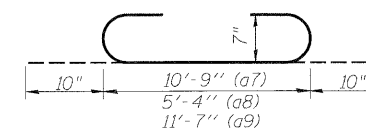
**BAR d1(E)**



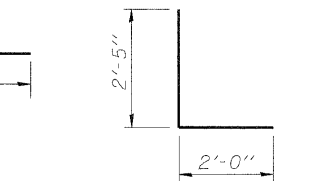
**BAR b4(E)**



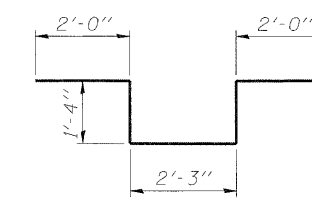
**BAR d(E)**



**BAR a7(E), BAR a8(E) & BAR a9(E)**



**BAR d2(E)**

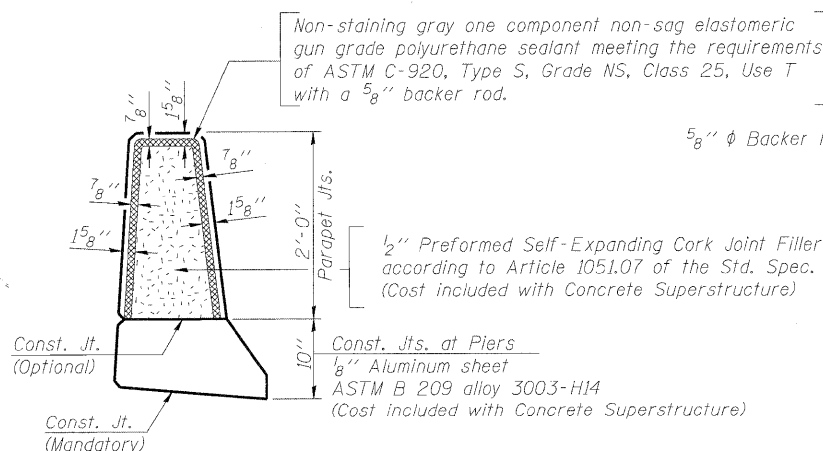


**BAR d3(E)**

**MINIMUM LAP LENGTHS**

- #4 bar - 1'-8"
- #5 bar - 2'-2"
- #6 bar - 2'-7"
- #7 bar - 3'-5"
- #8 bar - 4'-6"

**PARAPET JOINT DETAILS**



**PARAPET DETAILS I**