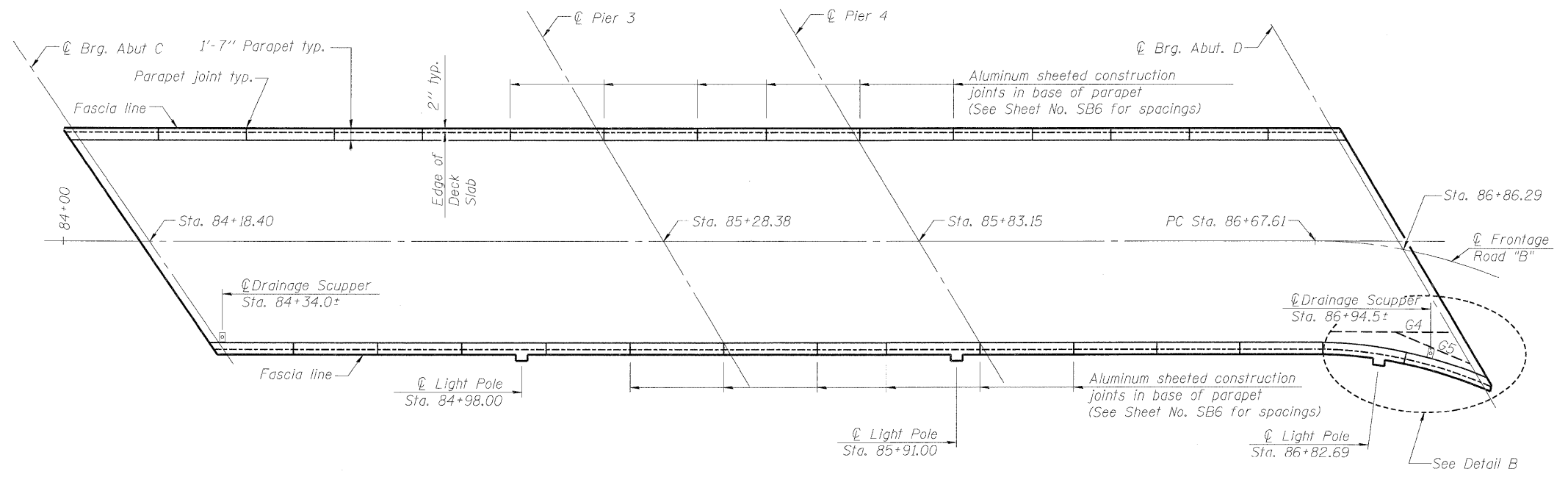
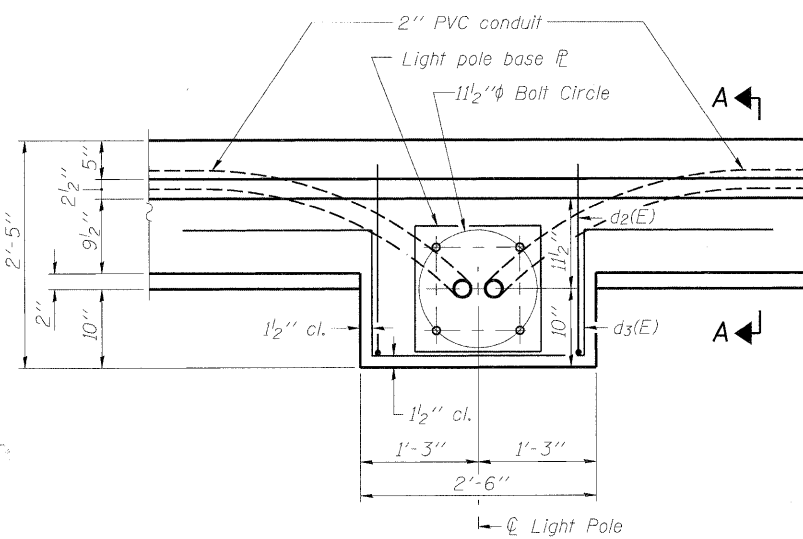


**DETAIL B**

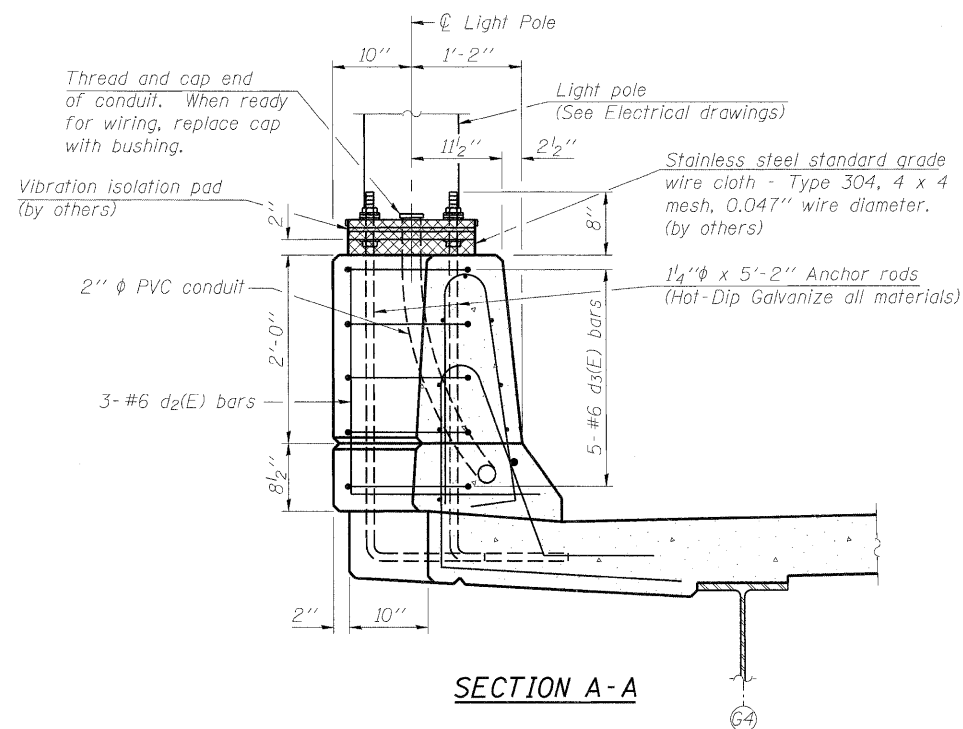


**DECK AND PARAPET PLAN**



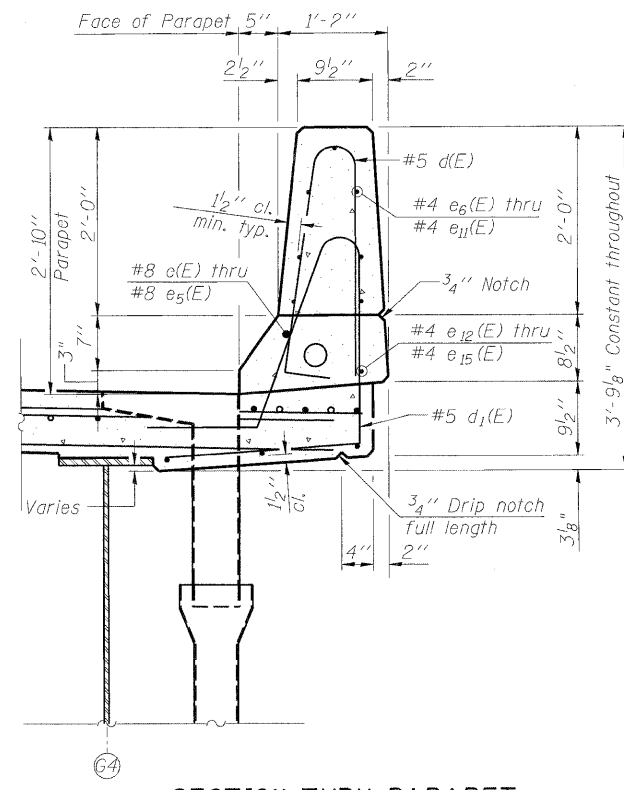
**PLAN  
(AT LIGHT POLE)**

*Note:*  
Cost of anchor rods & conduit is included with Concrete Superstructure.



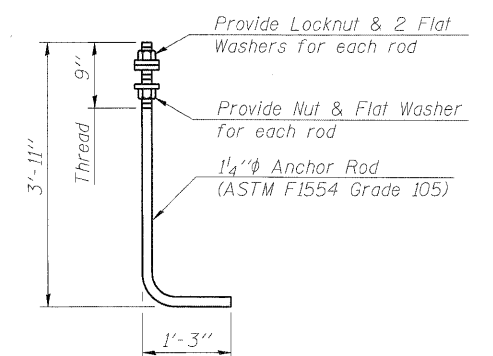
**SECTION A-A**

**LIGHT POLE SUPPORT DETAILS**



**SECTION THRU PARAPET**

*Notes:*  
1. All edges shall have 3/4" chamfer.  
2. For details of scupper, see Sheet No. SB9.  
3. For details of Bridge Drainage System, see Sheet No. SB23.



**ANCHOR ROD**