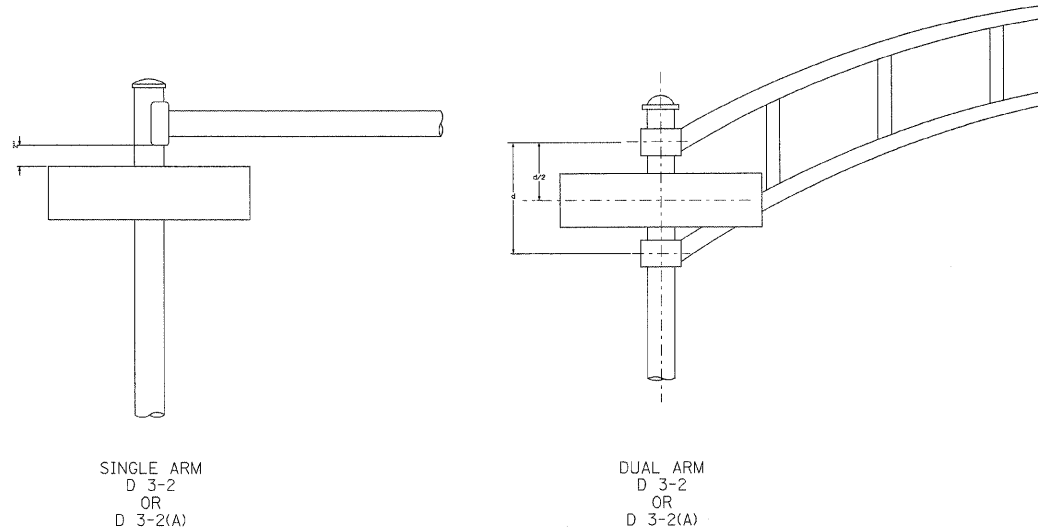
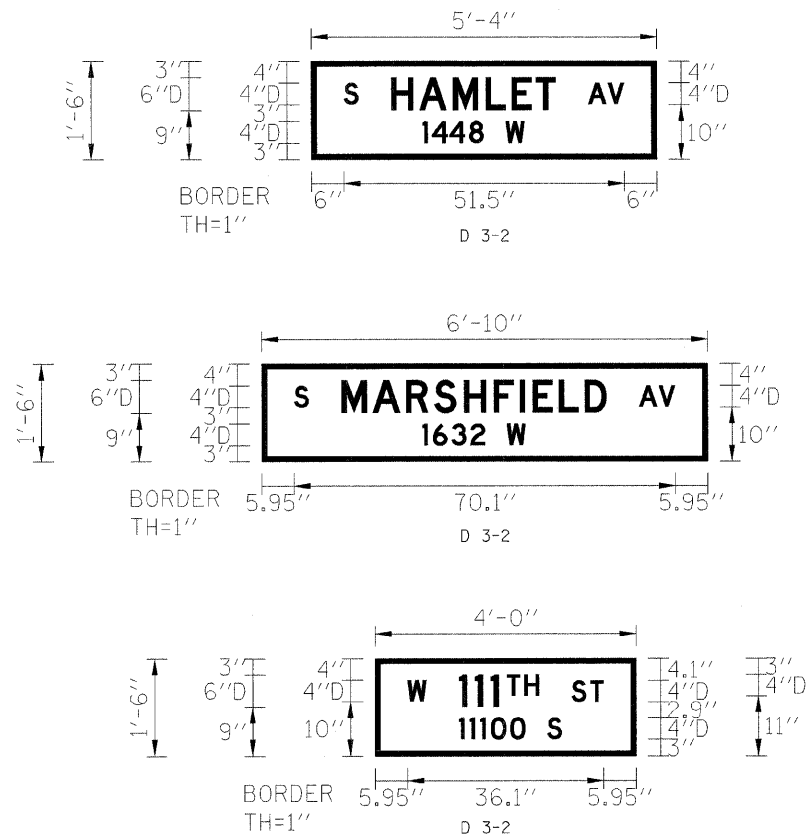
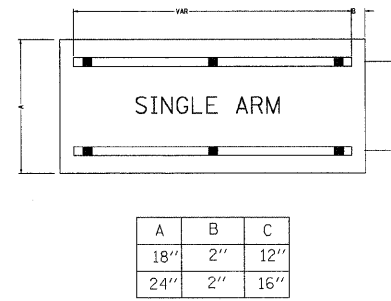


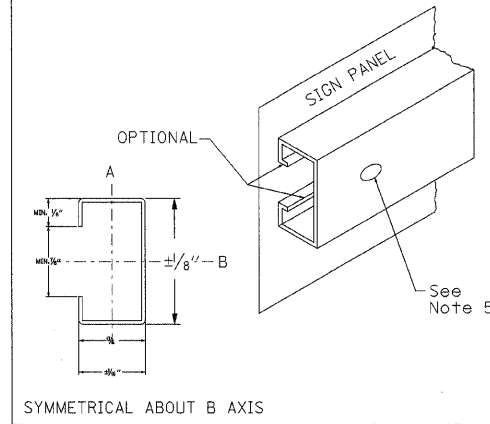
### MOUNTING LOCATIONS



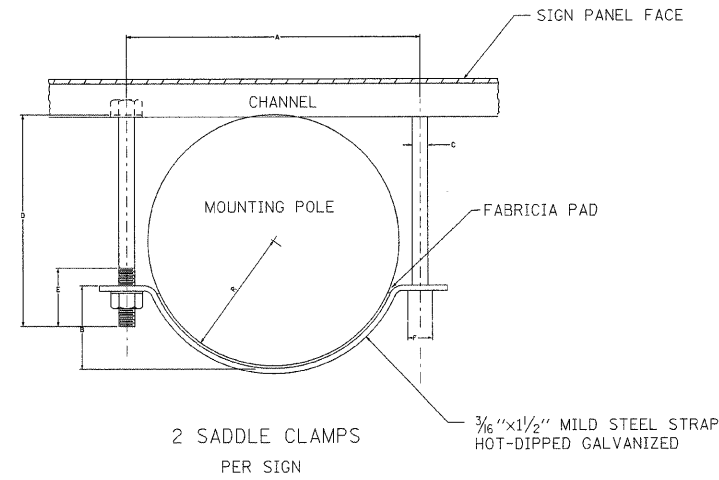
### DETAIL "A" SUPPORTING CHANNELS



STEEL (MILD STRIP, ASTM A525)  
 Section modulus, axle A - .050 in<sup>3</sup> minimum  
 Section modulus, axle B - .105 in<sup>3</sup> minimum  
 Galvanized before forming in accordance with ASTM A525. Coating Designation G 90 or after forming in accordance with AASHTO M-232, class B-2  
 or  
 ALUMINUM (6061 T6 or 6063 T5 or T6)  
 Section modulus, axle A - .150 in<sup>3</sup> minimum  
 Section modulus, axle B - .318 in<sup>3</sup> minimum



### DETAIL "B"



SIGN TYPE	SIGN SIZE	D3-2 TYPE SIGN DIMENSIONS								LETTER SIZE LINES			BORDER
		A	B	C	D	E	F	G	H	1	2	3	
D3-2	VAR x 18	VAR	18"	1.0"	6.0"	3.0"	2.0"	4D	4"TO6"	6D	4D	-	1.0"
D3-2(a)	VAR x 24	VAR	24"	1.0"	6.0"	2.5"	1.5"	4D	4"TO6"	6D	4D	4D	1.0"

### SPECIAL DESIGN SPECIFICATIONS

- The State of Illinois Department of Transportation standard specifications for traffic control items shall apply except where noted herein.
- The D3-2 and D3-2a sign length shall not be less than 4'-0" or greater than 6'-0". Sign length shall be determined by message copy, dictated by 6" capital letter series D, appropriate space chart layout, and the table of dimensions, where a required message layout would exceed maximum length of panel allowed the contractor shall layout to a reduced series stroke width. Letter series height shall remain as 6" capitals.
- Reflective sheeting shall conform to T602.01 TYPE A with green background and white letter and border.
- The sign panel shall conform to 601.01 TYPE 1. Supporting channels and panel to channel attachment hardware shall be in conformance to detail "A" of this plan sheet.
- Sign installation hardware shall be in conformance to detail "B" of this plan sheet.

MOUNTING POLE	D3-2 TYPE MOUNT DIMENSIONS						
	R	A	B	C	D	E	F
10"	4"	9"	2 5/8"	7/16"	7"	2 1/2"	1/2"
11"	4 1/2"	10"	3"	7/16"	7"	2 1/2"	1/2"
12 1/2"	5 1/4"	11 1/2"	3 1/2"	1/2"	8"	2"	3/16"

- All mounting hardware, exclusive of supporting channels shall be zinc or cadmium plated steel or stainless steel.
- All bolts and nuts shall have National Coarse Thread (UNC).
- All signs mounted to supporting channels shall be attached with at least 3/16" diameter hex bolts.
- Horizontal supporting channels used to brace individual signs shall be located using the mounting holes prepunched in the sign blank.
- Mounting holes in the supporting channel shall be 3/16" diameter. Channel material with prepunched holes at 2" centers may be used.
- Sign panel to channel bolt centers should not exceed 2'-0".

REVISIONS	
NAME	DATE

ILLINOIS DEPARTMENT OF TRANSPORTATION  
 111TH STREET OVER  
 F.A.I ROUTE 57 (INTERSTATE 57)

ELECTRICAL STANDARD DETAILS

SCALE: NONE  
 DATE: 01/16/09  
 DRAWN BY: N/A  
 CHECKED BY: N/A

**TENG**  
 TENG & ASSOCIATES, INC.  
 ENGINEERS/ARCHITECTS/PLANNERS  
 255 N. MICHIGAN AVE., CHICAGO, IL 60601  
 TELEPHONE: 312/616-0000

\\NITH ST BORDER.DGN, T:\XMH00\OF.DGN  
 P:16-2009, 03:08:41  
 T:\DOCUMENTS\30360\CVL\DRN\XMH00\G.DGN  
 1 2 3 4 5 6 7 8 9 10 11 12 13 14 15 16 17 18 19 20 21 22 23 24 25 26 27 28 29 30 31 32 33 34 35 36 37 38 39 40 41 42 43 44 45 46 47 48 49 50 51 52 53 54 55 56 57 58 59 60 61 62 63  
 HECHTER