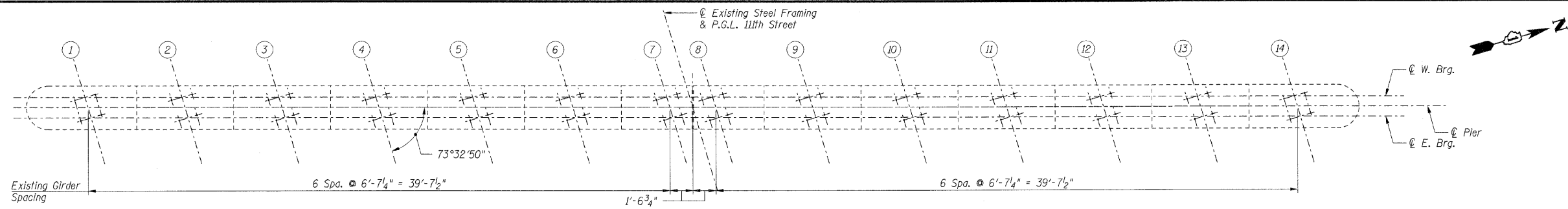
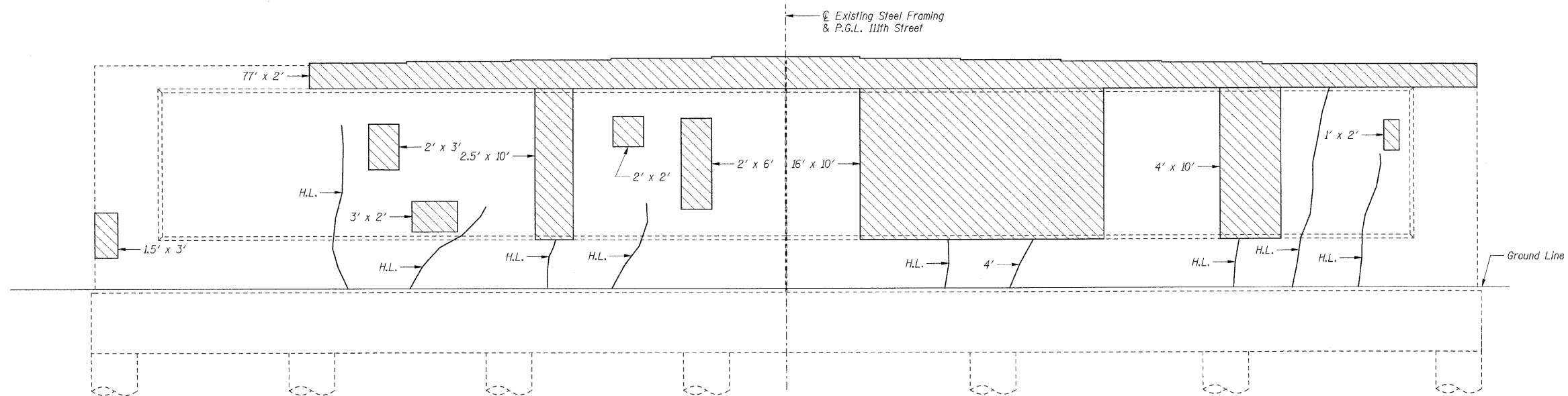


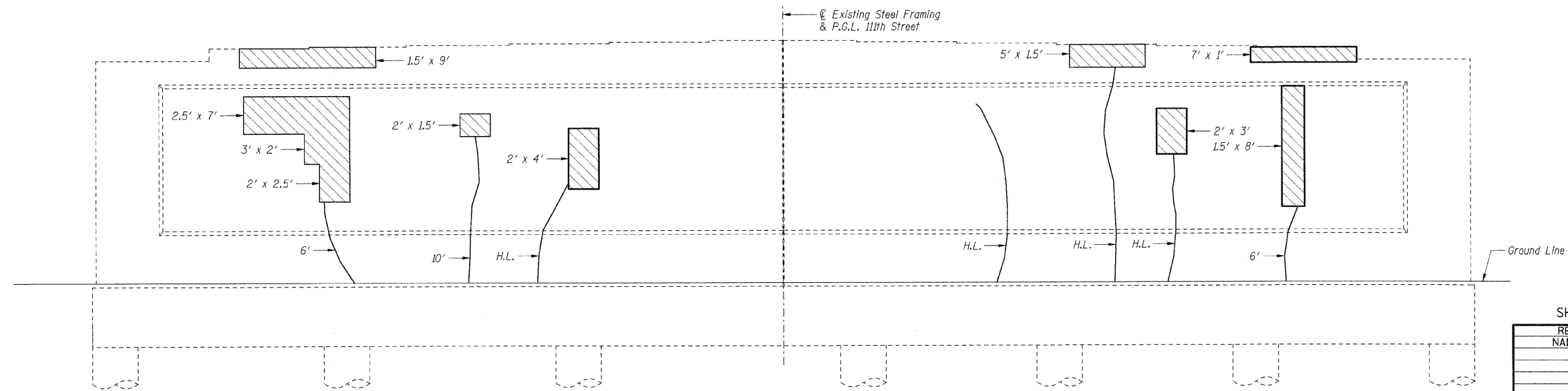
F.A.I. RTE.	SECTION	COUNTY	TOTAL SHEETS	SHEET NO.
57	2021.1B-R	COOK	101	082
STA.		TO STA.		
FED. ROAD DIST. NO. 1		ILLINOIS FED. AID PROJECT		
CONTRACT NO. 62532				



**TOP PLAN**



**ELEVATION**  
(Looking East)



**ELEVATION**  
(Looking West)

- Notes:**
- Quantities indicated with a double asterisk (\*\*) are estimated quantities to be determined by the Engineer in the field. Adjustment to the quantities shall not be cause for additional compensation; however the Contractor will be paid for the quantity of work performed at the unit price bid for the work.
  - Crack widths are  $\frac{1}{16}$ " unless otherwise noted.
  - Girders shall be supported during concrete repairs in accordance with the Special Provision for Temporary Shoring and Cribbing.
  - Concrete Sealer shall be applied to the bearing seats.

- LEGEND**
- Structural Repair of Concrete  
Depth Equal to or Less Than 5"
  - 6' → Epoxy Crack Injection
  - H.L. → Hairline Crack - Not to be Sealed

BILL OF MATERIAL		
Item	Unit	Total
Concrete Sealer	Sq Ft	271
Structural Repair of Concrete, Depth Equal to or Less Than 5" **	Sq Ft	582
Epoxy Crack Injection**	Ft	29

SHT. S-018

REVISIONS	
NAME	DATE

ILLINOIS DEPARTMENT OF TRANSPORTATION  
 F.A.I. ROUTE 57 (INTERSTATE 57)  
 111TH STREET BRIDGE DECK REPLACEMENT  
 111th STREET OVER I-57  
 SN 016-0989 STA. 556+99.89  
 COOK COUNTY

PIER 1 REPAIRS

DATE: 01/16/09

DRAWN BY: TMH  
 CHECKED BY: JLR

**TENG**  
 TENG & ASSOCIATES, INC.  
 ENGINEERS/ARCHITECTS/PLANNERS  
 205 N. MICHIGAN AVE., CHICAGO, IL 60601  
 TELEPHONE 312.616.0000

\C:\P02018\018\_1\ARTWORK\REVISED\N\PROCON\TA\DCN\_N\BRIDGE\REV\DCN  
 2-03-2009 14:47:40 T:\DOCUMENT\1830860\STRUCT\DCN\PROCON\T-DCN  
 color: Tabler; K:\STANDARD\TENG\DATA\COLOR\TABLE.TBL  
 HIGHLIGHT  
 Plot: Table; N/A