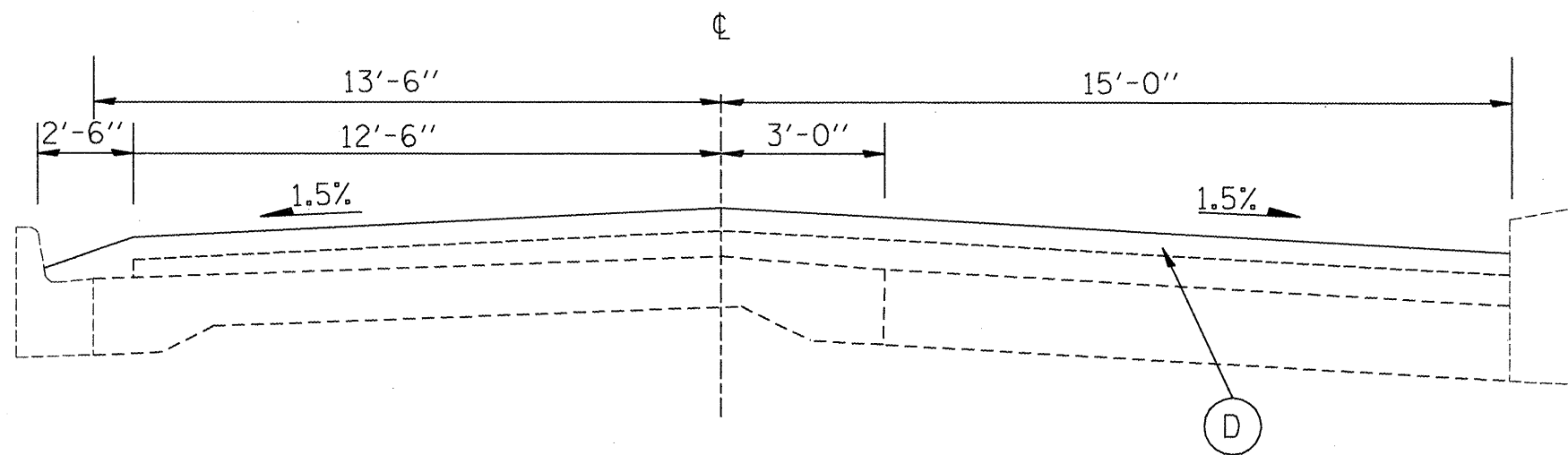
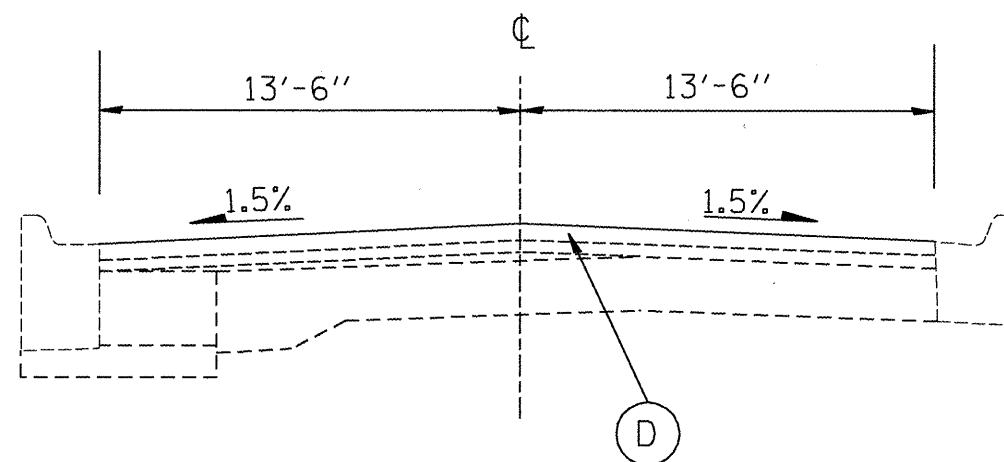


F.A.P. RTE.	SECTION	COUNTY	TOTAL SHEETS	SHEET NO.
22	*	FULTON	71	14
STA.		TO STA.		
FED. ROAD DIST. NO.		ILLINOIS	FED. AID PROJECT	
* 133RS-3;134RS-2;135RS-5				



STA 27+09 TO STA 29+33

FARMINGTON



STA 29+33 TO STA 31+83

FARMINGTON

LEGEND

- Ⓐ PROP AGGREGATE SHOULDERS, TYPE B, WEDGE
- Ⓑ PROP HMA SHOULDERS, 8"
- Ⓒ PROP EARTH EXCAVATION WIDENING, 8"
- Ⓓ PROP HMA SURF CSE, MIX D, N50, 2"

REVISIONS	
NAME	DATE

ILLINOIS DEPARTMENT OF TRANSPORTATION

IL 78 PROPOSED  
TYPICAL SECTIONS

SCALE: VERT. DATE      HORIZ. DATE      DRAWN BY      CHECKED BY