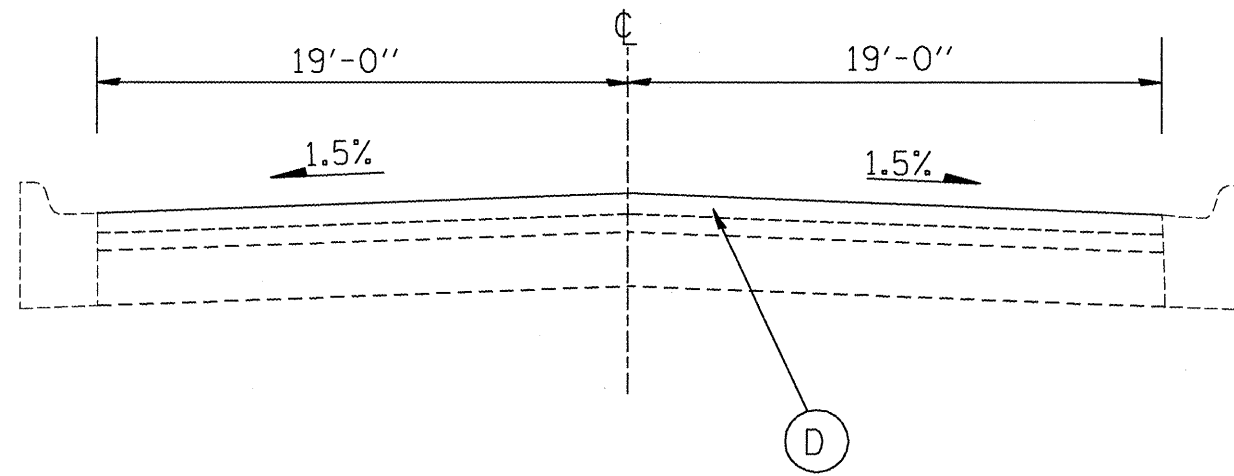
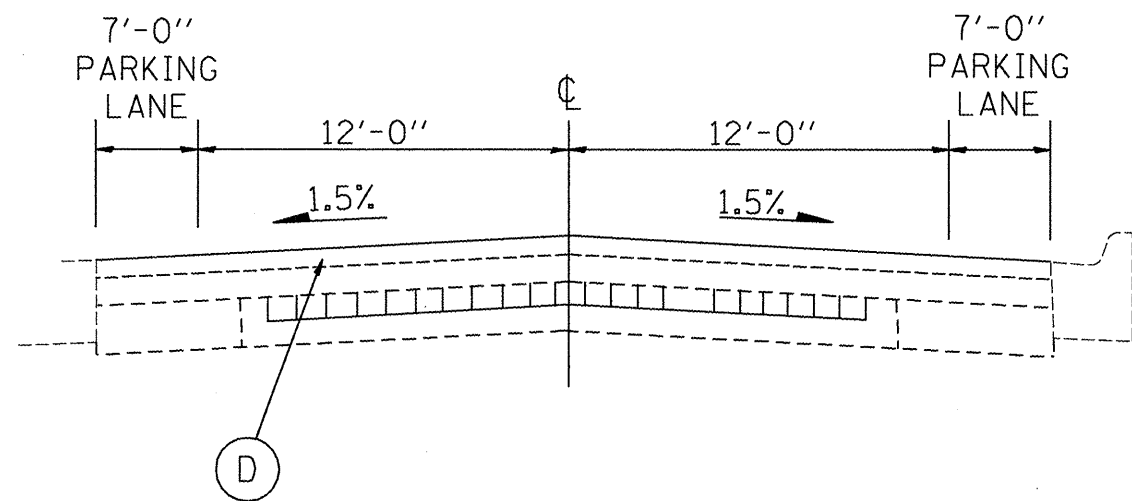


F.A.P. RTE.	SECTION	COUNTY	TOTAL SHEETS	SHEET NO.
22	*	FULTON	71	16
STA.		TO STA.		
FED. ROAD DIST. NO.		ILLINOIS	FED. AID PROJECT	
* 133RS-3;134RS-2;135RS-5				



STA 36+09.50 TO STA 36+85.50  
FARMINGTON



STA 36+85.50 TO STA 54+94

LEGEND

- (A) PROP AGGREGATE SHOULDERS, TYPE B, WEDGE
- (B) PROP HMA SHOULDERS, 8"
- (C) PROP EARTH EXCAVATION WIDENING, 8"
- (D) PROP HMA SURF CSE, MIX D, N50, 2"

REVISIONS	
NAME	DATE

ILLINOIS DEPARTMENT OF TRANSPORTATION

**IL 78 PROPOSED  
TYPICAL SECTIONS**

SCALE: VERT. \_\_\_\_\_  
HORIZ. \_\_\_\_\_

DATE \_\_\_\_\_ DRAWN BY \_\_\_\_\_  
CHECKED BY \_\_\_\_\_