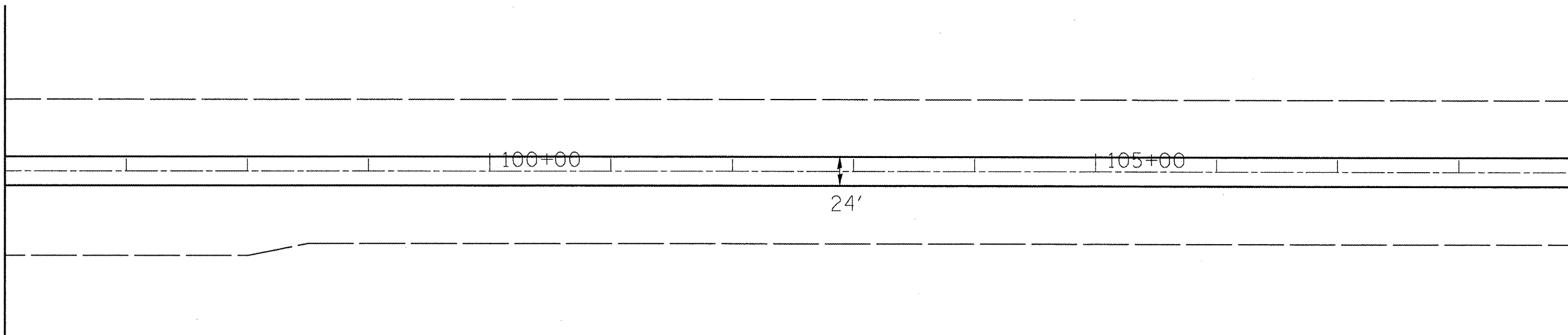


CONTRACT NO. 68516

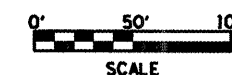
F.A.P. RTE.	SECTION	COUNTY	TOTAL SHEETS	SHEET NO.
22	*	FULTON	71	32
STA.		TO STA.		
FED. ROAD DIST. NO.	ILLINOIS	FED. AID PROJECT		
* 133RS-3;134RS-2;135RS-5				



MATCHLINE STA. 96+00



MATCHLINE STA. 109+00



REVISIONS	
NAME	DATE

ILLINOIS DEPARTMENT OF TRANSPORTATION

### PLAN SHEET

SCALE: VERT.  
HORIZ.  
DATE

DRAWN BY  
CHECKED BY

PLOT DATE = 2/10/2009  
 FILE NAME = 68516.dwg  
 FILE SCALE = 1/8"=1'-0"  
 USER NAME = msh18rsh