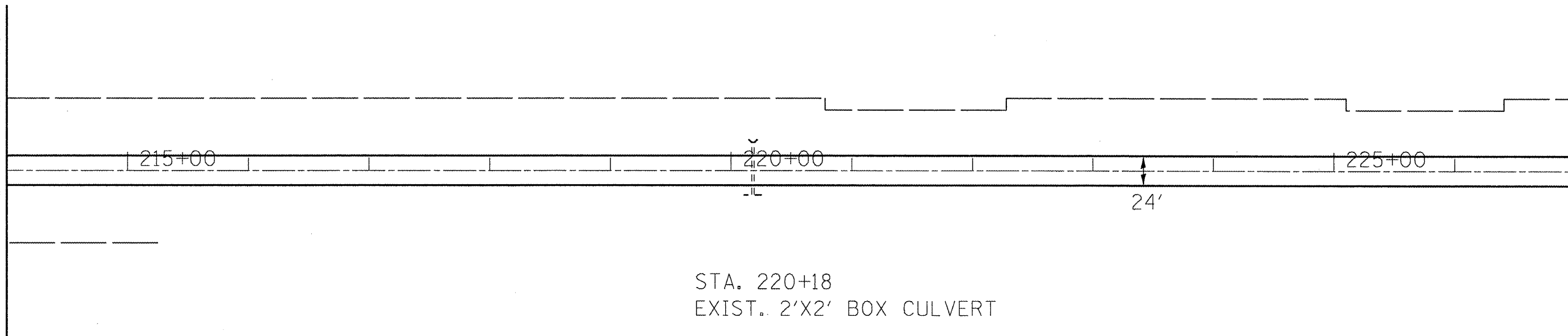


CONTRACT NO. 68516

F.A.P. RTE.	SECTION	COUNTY	TOTAL SHEETS	SHEET NO.
22	*	FULTON	71	41
STA.		TO STA.		
FED. ROAD DIST. NO.	ILLINOIS	FED. AID PROJECT		
• 133RS-3;134RS-2;135RS-5				



MATCHLINE STA. 214+00



STA. 220+18  
EXIST. 2'X2' BOX CULVERT



REVISIONS	
NAME	DATE

ILLINOIS DEPARTMENT OF TRANSPORTATION

### PLAN SHEET

SCALE: VERT.  
HORIZ.  
DATE

DRAWN BY  
CHECKED BY

PLOT DATE = 2/18/2009  
FILE NAME = 610e01dgn  
PLOT SCALE = 1/8" = 100'  
USER NAME = m134r04