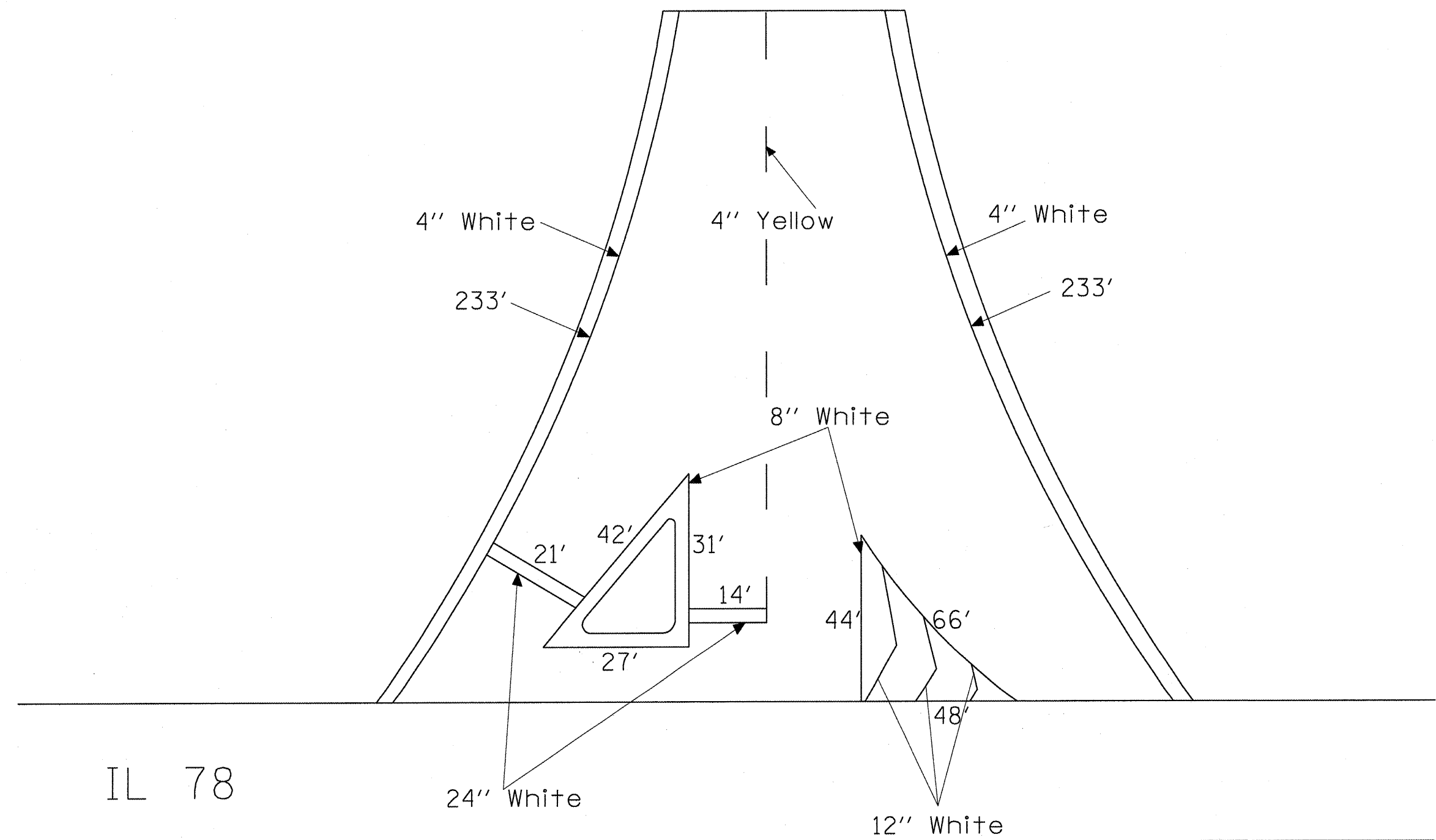


F.A.P. RTE.	SECTION	COUNTY	TOTAL SHEETS	SHEET NO.
22	131RS-4	PEORIA	17	12

FED. ROAD DIST. NO. ILLINOIS FED. AID PROJECT

Route 8 Striping



IL 78

ROUTE 8  
PAVEMENT MARKING  
DETAIL