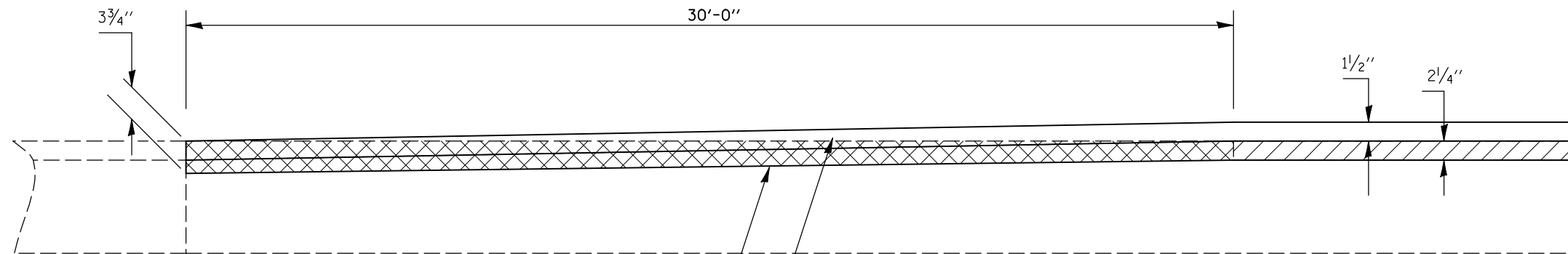


DETAIL FOR PASSING LANE MILLING TRANSITION AT BEGINNING OF PROJECT ROADWAY A & D

STATION	TO	STATION
603+50.00		603+80.00 (ROADWAY A)
607+00.00		607+30.00 (ROADWAY D)

NOTE: AREA OF MILLING TRANSITION SHALL BE INCLUDED IN THE CONTRACT UNIT PRICE FOR THE VARIOUS PAY ITEMS FOR HOT-MIX ASPHALT SURFACE REMOVAL OF THE DEPTH SPECIFIED AND NO ADDITIONAL COMPENSATION SHALL BE ALLOWED.



POLYMERIZED HOT-MIX ASPHALT BINDER COURSE,
IL-19.0, N105 (252 LBS/SQ YD)

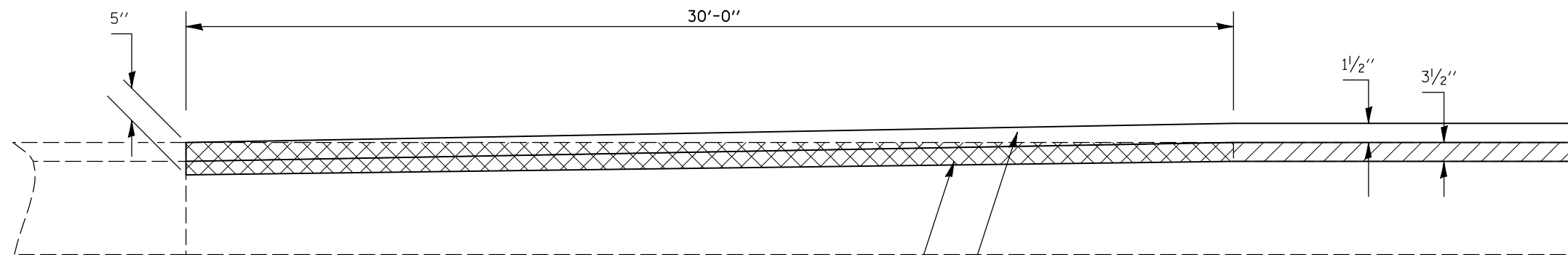
POLYMERIZED HOT-MIX ASPHALT SURFACE COURSE,
MIX "D", N105 (168 LBS/SQ YD)

- HOT-MIX ASPHALT SURFACE REMOVAL, 2"
- AREA OF MILLING TRANSITION 3 1/2" - 2 1/4"

DETAIL FOR DRIVING LANE MILLING TRANSITION AT BEGINNING OF PROJECT ROADWAY A & D

STATION	TO	STATION
603+50.00		603+80.00 (ROADWAY A)
607+00.00		607+30.00 (ROADWAY D)

NOTE: AREA OF MILLING TRANSITION SHALL BE INCLUDED IN THE CONTRACT UNIT PRICE FOR THE VARIOUS PAY ITEMS FOR HOT-MIX ASPHALT SURFACE REMOVAL OF THE DEPTH SPECIFIED AND NO ADDITIONAL COMPENSATION SHALL BE ALLOWED.



POLYMERIZED HOT-MIX ASPHALT BINDER COURSE,
IL-19.0, N105 (392 LBS/SQ YD)

POLYMERIZED HOT-MIX ASPHALT SURFACE COURSE,
MIX "D", N105 (168 LBS/SQ YD)

- HOT-MIX ASPHALT SURFACE REMOVAL, 3 1/2"
- AREA OF MILLING TRANSITION 5" - 3 1/2"

SHEET 1 OF 14

FILE NAME =	USER NAME = shererjm	DESIGNED - JMS	REVISED -	STATE OF ILLINOIS DEPARTMENT OF TRANSPORTATION	MILLING & PAVING TRANSITION DETAILS, ROADWAY(S) A & D	F.A.P. RTE.	SECTION	COUNTY	TOTAL SHEETS	SHEET NO.
ct:\pw\work\PWIDOT\SHERRJ\ms83233\70505\details.dgn	DRAWN - JMS	REVISD -	74			57-20(1)&(57-4,5,6)RS-3	MCLEAN	160	70	
PLOT SCALE = 100.0000' / IN.	CHECKED -	REVISD -	CONTRACT NO. 70505							
PLOT DATE = 1/29/2009	DATE - 6/03/2008	REVISD -	FED. ROAD DIST. NO. ILLINOIS FED. AID PROJECT							