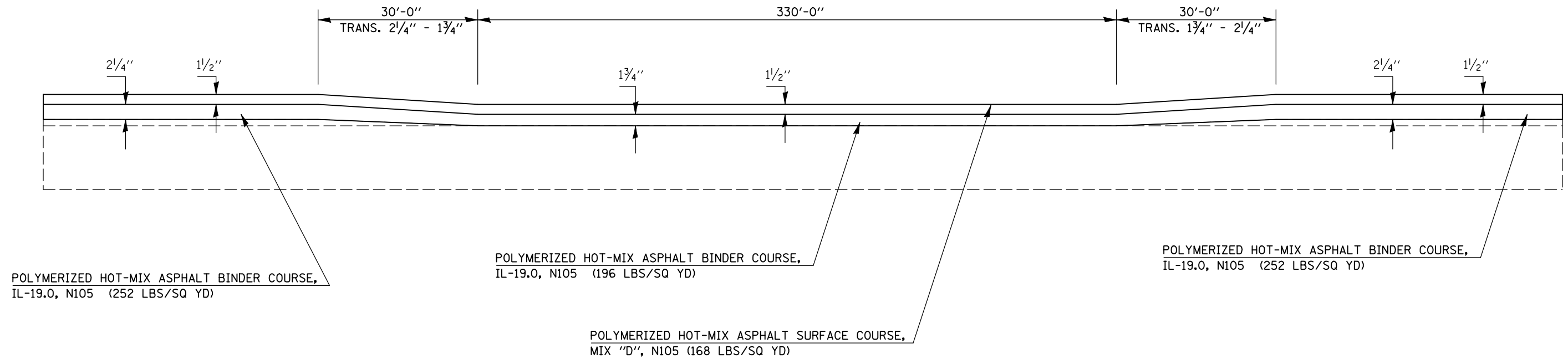


NOTE: AREA OF MILLING TRANSITION SHALL BE INCLUDED IN THE CONTRACT UNIT PRICE FOR THE VARIOUS PAY ITEMS FOR HOT-MIX ASPHALT SURFACE REMOVAL OF THE DEPTH SPECIFIED AND NO ADDITIONAL COMPENSATION SHALL BE ALLOWED.

### DETAIL FOR PAVING TRANSITION UNDER S.N. 057-0004

STATION	TO	STATION
69+46.60		69+76.60 (ROADWAY K VET PKWY SB)
73+06.60		73+36.60 (ROADWAY K VET PKWY SB)



POLYMERIZED HOT-MIX ASPHALT BINDER COURSE, IL-19.0, N105 (252 LBS/SQ YD)

POLYMERIZED HOT-MIX ASPHALT BINDER COURSE, IL-19.0, N105 (196 LBS/SQ YD)

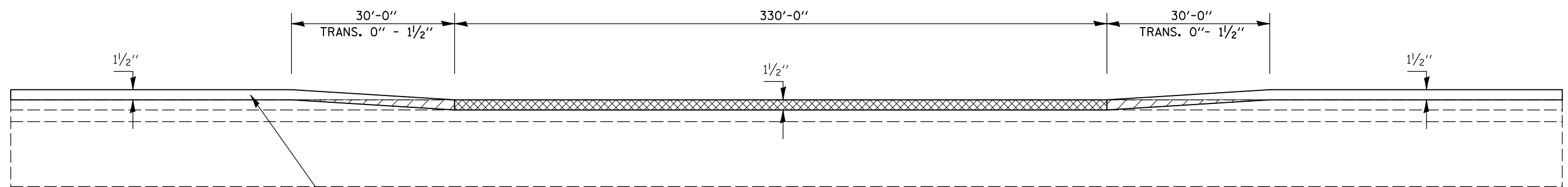
POLYMERIZED HOT-MIX ASPHALT BINDER COURSE, IL-19.0, N105 (252 LBS/SQ YD)

POLYMERIZED HOT-MIX ASPHALT SURFACE COURSE, MIX "D", N105 (168 LBS/SQ YD)

### DETAIL FOR SHOULDER MILLING TRANSITION UNDER S.N. 057-0004

NOTE: AREA OF MILLING TRANSITION SHALL BE INCLUDED IN THE CONTRACT UNIT PRICE FOR THE VARIOUS PAY ITEMS FOR HOT-MIX ASPHALT SURFACE REMOVAL OF THE DEPTH SPECIFIED AND NO ADDITIONAL COMPENSATION SHALL BE ALLOWED.

STATION	TO	STATION
69+46.60		69+76.60 (ROADWAY K VET PKWY SB)
73+06.60		73+36.60 (ROADWAY K VET PKWY SB)



HOT-MIX ASPHALT SHOULDERS (168 LBS/SQ YD)

 MILLING TRANSITION AREA, 0" - 1 1/2"

 HOT-MIX ASPHALT SURFACE REMOVAL, 1 1/2"

SHEET 4 OF 4

FILE NAME =	USER NAME = shererjm	DESIGNED - JMS	REVISED -
ct:\pw\work\PWIDOT\SHERERJM\dms83233\70505\details.dgn		DRAWN - JMS	REVISED -
	PLOT SCALE = 100.0000' / IN.	CHECKED -	REVISED -
	PLOT DATE = 1/30/2009	DATE - 6/03/2008	REVISED -

STATE OF ILLINOIS  
DEPARTMENT OF TRANSPORTATION

MILLING & PAVING TRANSITION DETAILS ROADWAY(S)  
K, L, VETERANS PKWY NB & SB

SCALE: NO SCALE SHEET NO. OF SHEETS STA. TO STA.

F.A.P. RTE.	SECTION	COUNTY	TOTAL SHEETS	SHEET NO.
74	57-20(1)&(57-4,5,6)RS-3	MCLEAN	160	90
CONTRACT NO. 70505				
FED. ROAD DIST. NO. ILLINOIS FED. AID PROJECT				