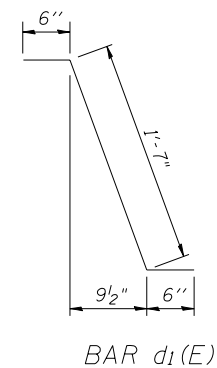
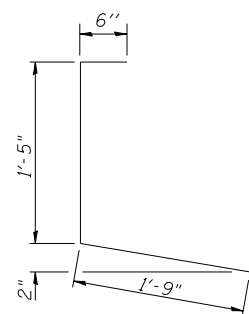


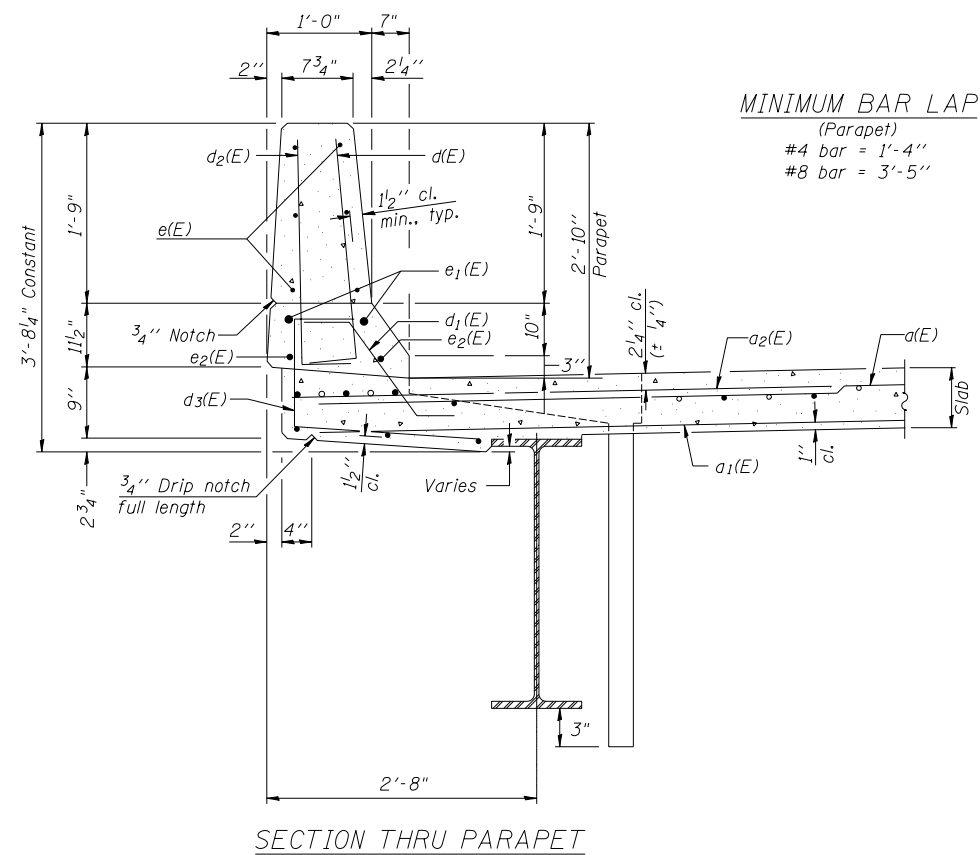
BARS d(E) & d2(E)



BAR d1(E)



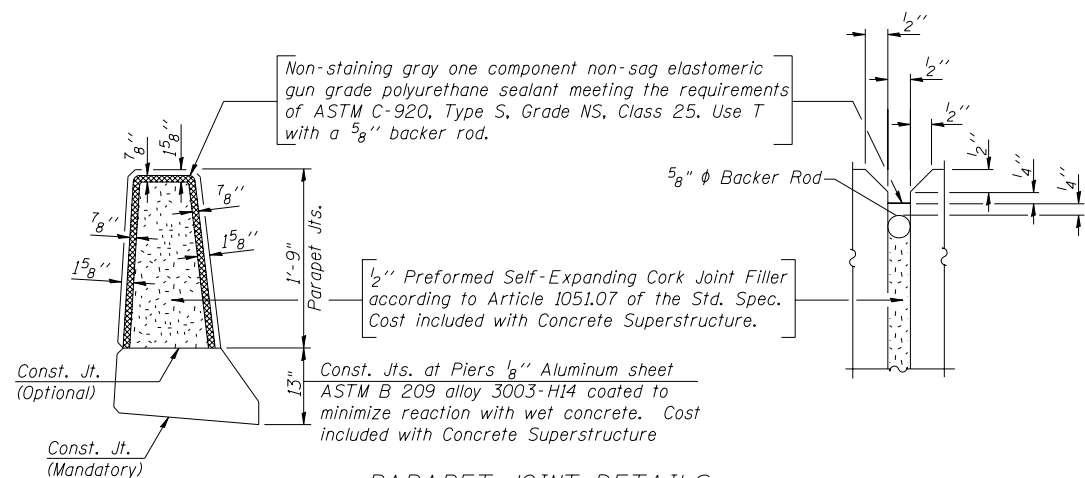
BAR d3(E)



MINIMUM BAR LAP
(Parapet)

#4 bar	= 1'-4"
#8 bar	= 3'-5"

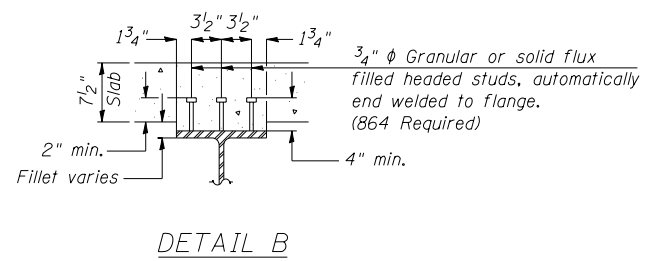
SECTION THRU PARAPET



PARAPET JOINT DETAILS

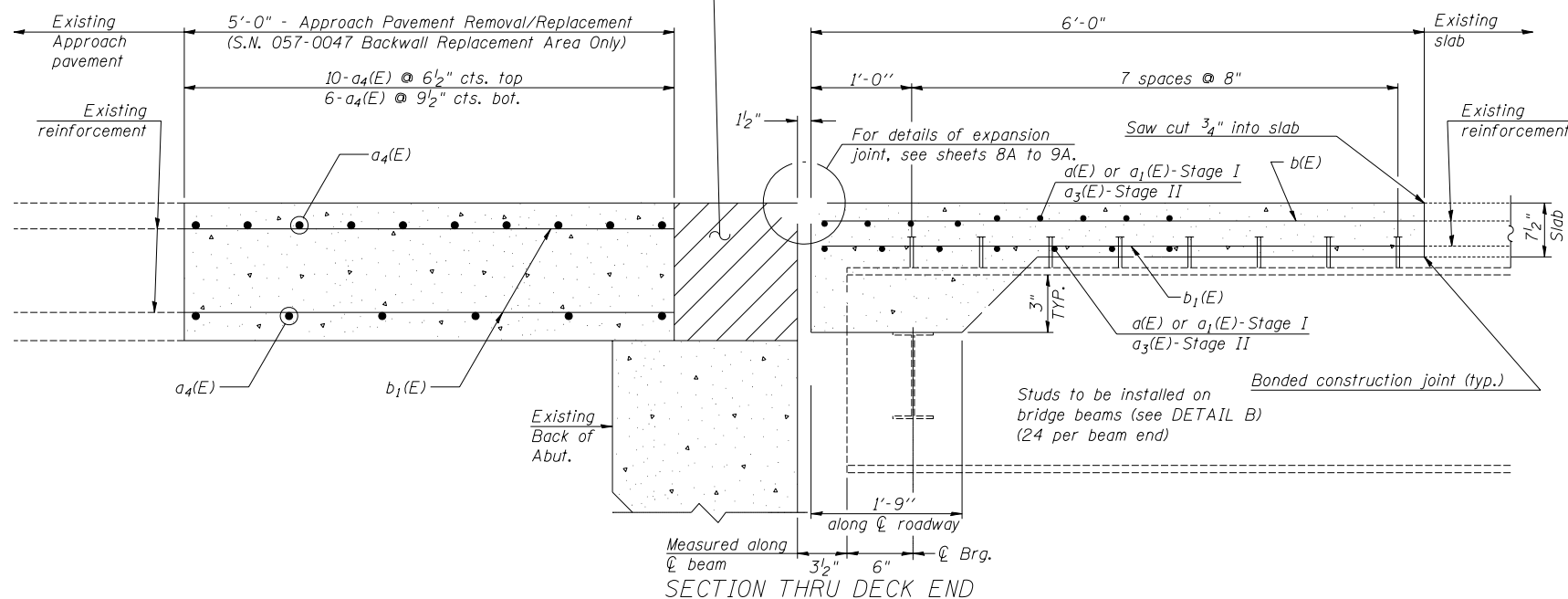
NOTE:

Dimensions are based on a Rolled Rail Strip Seal Joint. If the Contractor elects to use the Welded Rail Strip Seal Joint, deck dimensions may require adjustments to satisfy the details on Base Sheet E.J-SSJ.



DETAIL B

Hatched area to be poured after superstructure forms have been removed. Quantity of concrete included with Concrete Superstructure. (See sheets 6A & 7A for reinforcement details)



SECTION THRU DECK END

SUPERSTRUCTURE BILL OF MATERIAL

Bar	No.	Size	Length	Shape
a(E)	40	#5	33'-4"	—
a1(E)	40	#5	35'-3"	—
a2(E)	48	#6	6'-0"	—
a3(E)	80	#5	16'-8"	—
a4(E)	20	#6	16'-8"	—
b(E)	408	#5	5'-8"	—
b1(E)	39	#5	4'-8"	—
d(E)	48	#5	3'-0"	—
d1(E)	48	#5	2'-7"	—
d2(E)	48	#4	3'-0"	—
d3(E)	48	#4	3'-8"	—
e(E)	48	#4	5'-8"	—
e1(E)	16	#8	5'-8"	—
e2(E)	16	#5	5'-8"	—
Reinforcement Bars, Epoxy Coated		Pound	8800	
Concrete Removal		Cu. Yds.	44.3	
Concrete Superstructure		Cu. Yds.	44.3	
Shear Stud Connectors		Each	864	
Bar Splicers		Each	80	

SUPERSTRUCTURE DETAILS
STRUCTURE NO. 057-0047 (EB)
STRUCTURE NO. 057-0048 (WB)