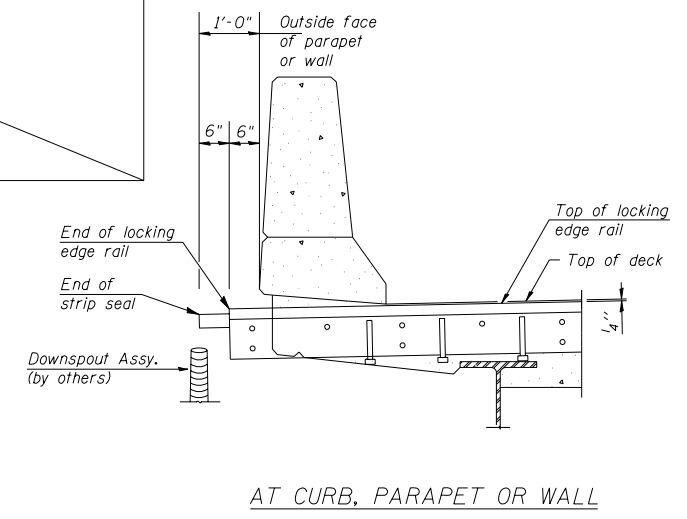
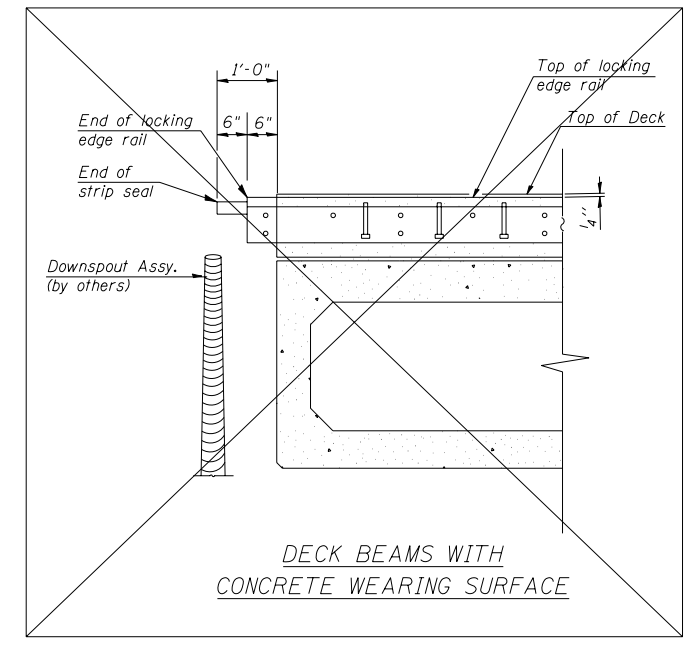


TYPICAL MEDIAN TREATMENTS

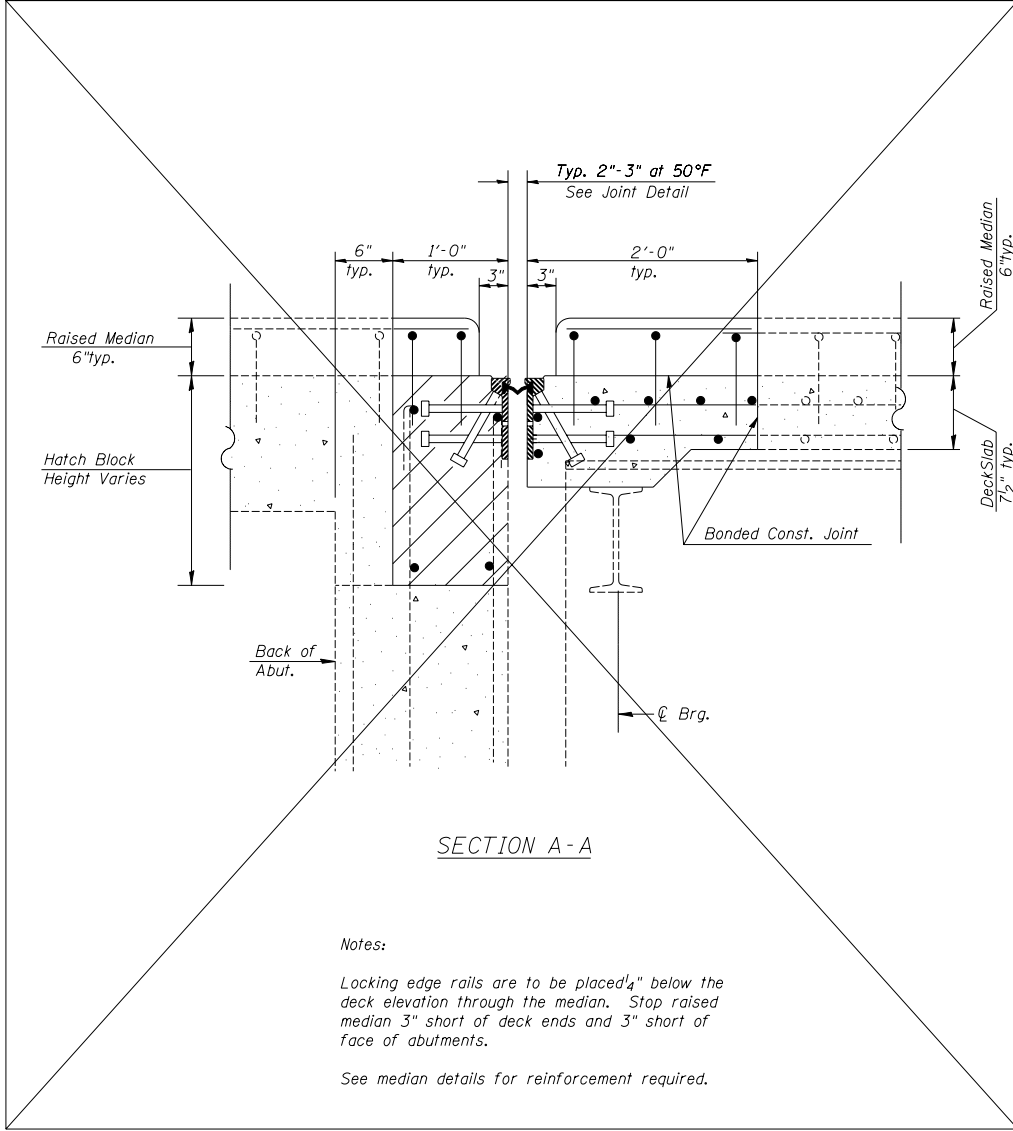


AT CURB, PARAPET OR WALL



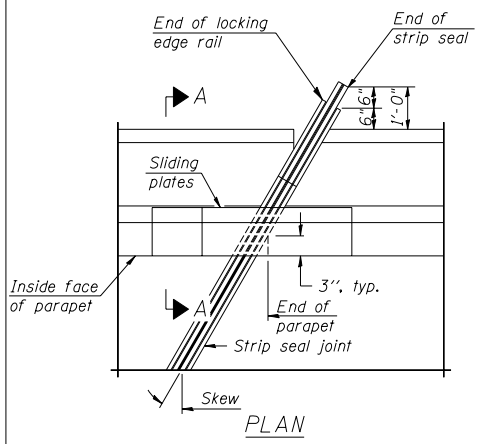
DECK BEAMS WITH CONCRETE WEARING SURFACE

TYPICAL END TREATMENTS

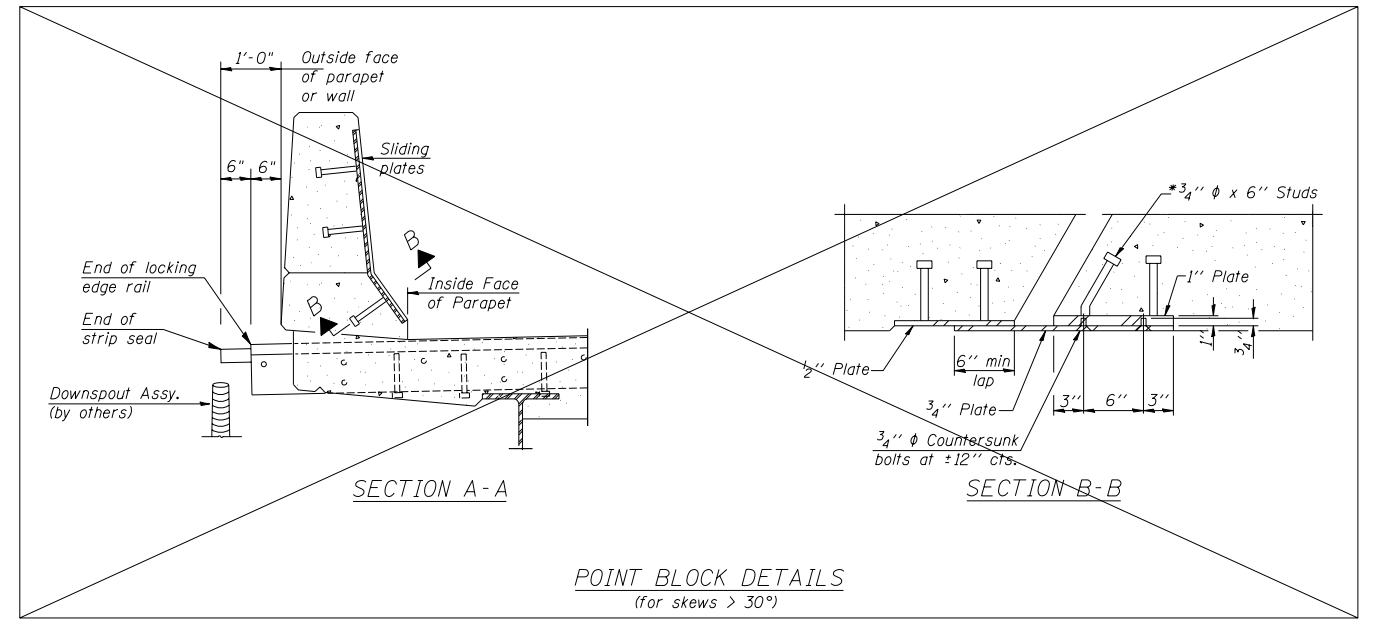


SECTION A-A

Notes:  
 Locking edge rails are to be placed 1/4" below the deck elevation through the median. Stop raised median 3" short of deck ends and 3" short of face of abutments.  
 See median details for reinforcement required.



PLAN



POINT BLOCK DETAILS  
(for skews > 30°)

FILE NAME =  
 \$FILEL\$

USER NAME = \$USER\$  
 PLOT SCALE = \$SCALE\$  
 PLOT DATE = \$DATE\$

DESIGNED -  
 DRAWN -  
 CHECKED -  
 DATE -

REVISED -  
 REVISED -  
 REVISED -  
 REVISED -

STATE OF ILLINOIS  
 DEPARTMENT OF TRANSPORTATION

DISTRICT 5 PREFORMED JOINT STRIP SEAL DETAILS

SCALE: SHEET NO. 9A OF 11A SHEETS STA. TO STA.

DISTRICT 5 DETAIL NO. 52000AAA

F.A.I. RTE.	SECTION	COUNTY	TOTAL SHEETS	SHEET NO.
74	57-20(1)&57-4,5,6R-3	MCLEAN	160	112
				CONTRACT NO. 70505

ILLINOIS FED. AID PROJECT