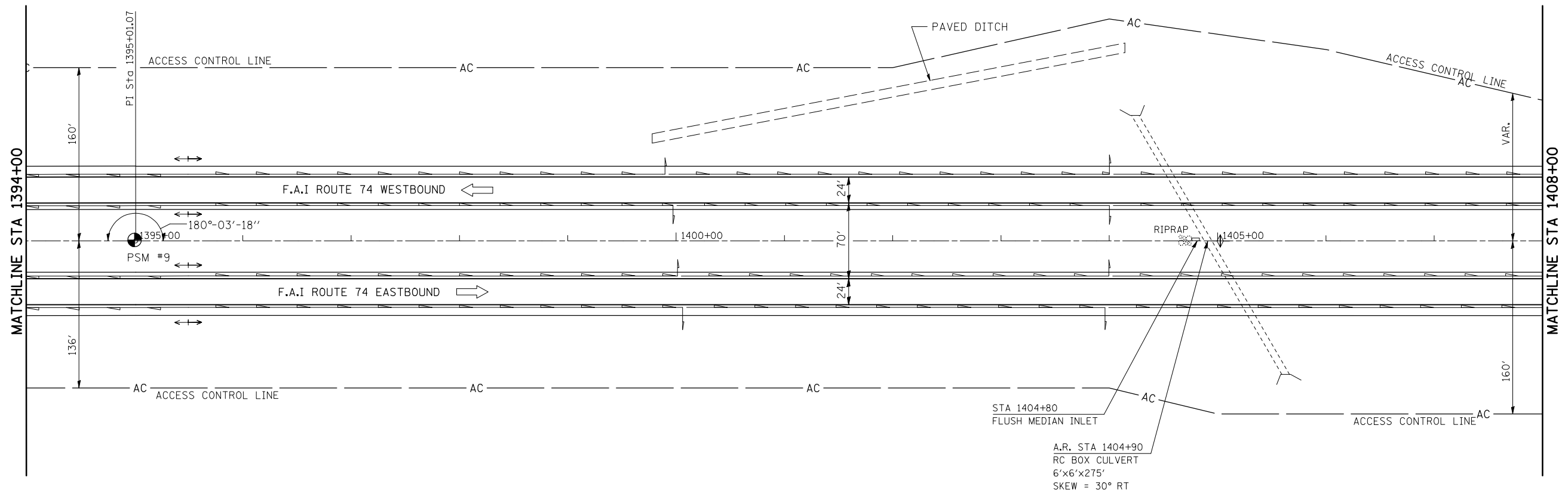
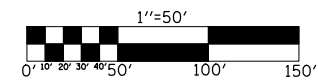


F.A.I. RTE.	SECTION	COUNTY	TOTAL SHEETS	SHEET NO.
74	(74,10-4,1)RS-1	•	69	25

STA. 1394+00 TO STA. 1408+00
 FED. ROAD DIST. NO. ILLINOIS FED. AID PROJECT
 • PIATT & CHAMPAIGN



PLOT DATE = 2/3/2009
 FILE NAME = c:\p\... \SHERER\JM\dms8888\70527\REFERENCE.DGN
 PLOT SCALE = 1/85,8824 / IN.
 USER NAME = sherer,jm



ILLINOIS DEPARTMENT OF TRANSPORTATION
PLAN VIEW
 F.A.I. ROUTE 74
 SECTION (74,10-4,1)RS-1
 PIATT & CHAMPAIGN COUNTIES

SCALE: 1" = 50'
 DATE: 04/30/07

DRAWN BY: JRP
 CHECKED BY: