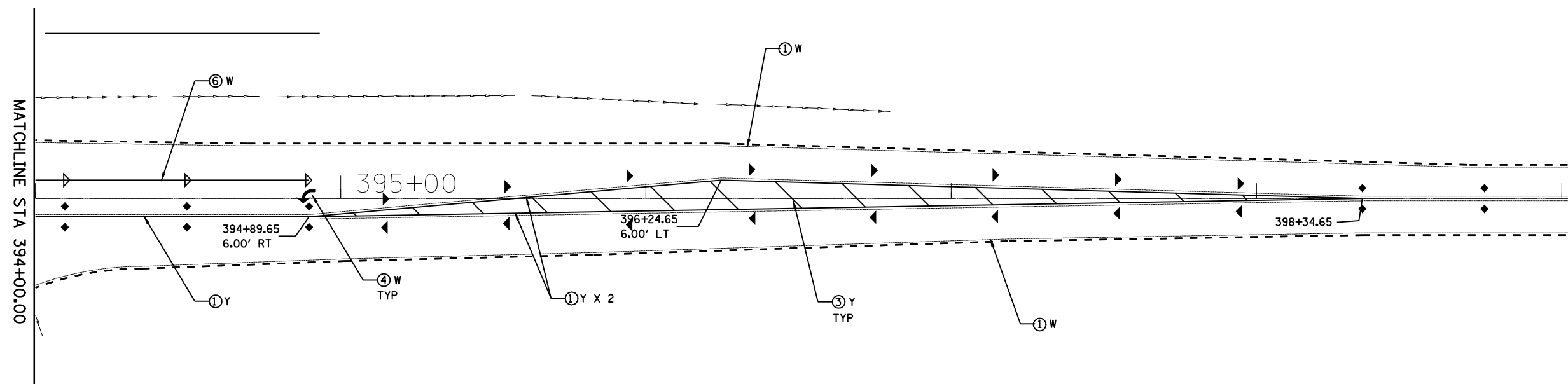


F.A.P. RTE.	SECTION	COUNTY	TOTAL SHEETS	SHEET NO.
310	43RS-3; 87-1RS-2	SCHUYLER	39	29
FED. ROAD DIST. NO.	ILLINOIS	FED. AID PROJECT		

CONTRACT 72772



LEGEND

- ① THERMOPLASTIC PAVEMENT MARKING, 5"
- ② THERMOPLASTIC PAVEMENT MARKING, 8"
- ③ THERMOPLASTIC PAVEMENT MARKING, 12"
- ④ PERFORMED PLASTIC PAVEMENT MARKING, TY B, L & R
- ⑤ PERFORMED PLASTIC PAVEMENT MARKING, TY B, 24"
- ⑥ PERFORMED PLASTIC PAVEMENT MARKING, TY B, 6"
- ◆ RAISED REFLECTIVE PAVEMENT MARKERS (TWO WAY)
- ▷ RAISED REFLECTIVE PAVEMENT MARKERS (ONE WAY CRYSTAL)
- ▶ RAISED REFLECTIVE PAVEMENT MARKERS (ONE WAY AMBER)

ILLINOIS DEPARTMENT OF TRANSPORTATION
**PROPOSED PAVEMENT MARKING
 DETAILS**
 F.A.P. ROUTE 310 (U.S. 67)
 SECTION 43RS-3; 87-1RS-2
 SCHUYLER COUNTY