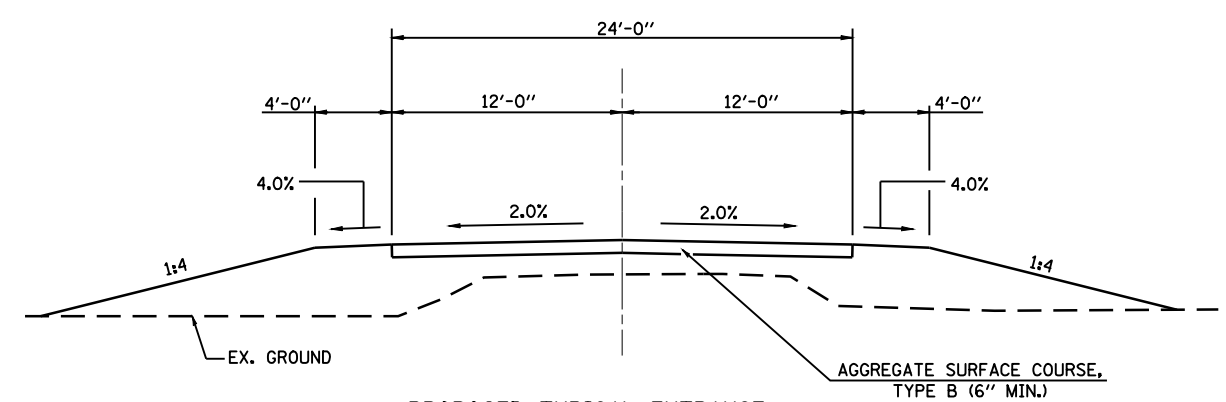



PLAN
(SHOWING ENTRANCE AND RIPRAP LAYOUT)



PROPOSED TYPICAL ENTRANCE
(F.E. STA. 135+74 & 137+52, P.E. STA. 138+55)

NOTE: WORK THIS SHEET WITH SHEET NO. 20 OF 71.

FILE NAME = D672875-sht-details2.dgn	USER NAME =	DESIGNED - RKA	REVISED -	 Allen Henderson & Associates, Inc. Civil and Structural Engineers Springfield, IL. 62708 Phone: (217)544-8033 IL. Design Firm No. 184-001907	ENTRANCE DETAILS AND RIPRAP LAYOUT			F.A.P. RTE.	SECTION	COUNTY	TOTAL SHEETS	SHEET NO.
PLOT SCALE =	CHECKED - CPK	REVISED -	REVISED -		67	(6X-1)B-2	CASS	71	22			
PLOT DATE = Feb-05-2009 08:15:58AM	DATE - 04/07/08	REVISED -	REVISED -		STA. 136 + 64.40 /S.N. 009-2506			CONTRACT NO. 72875				
					SCALE: NONE	SHEET NO. 11 OF 71 SHEETS	STA.	TO STA.		FED. ROAD DIST. NO. ILLINOIS FED. AID PROJECT		