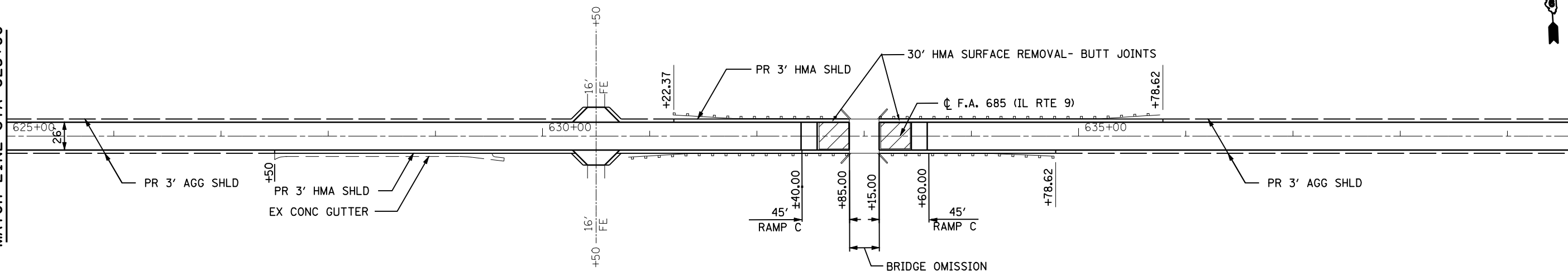


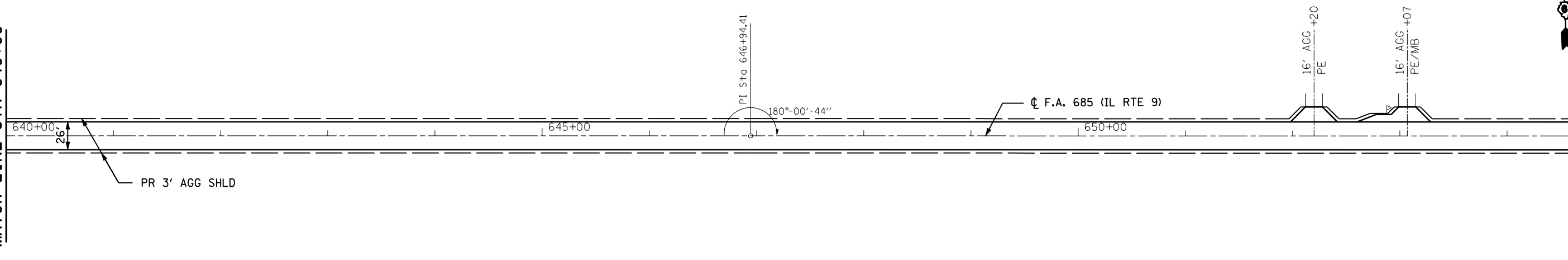
MATCH LINE STA 625+00

MATCH LINE STA 640+00



MATCH LINE STA 640+00

MATCH LINE STA 655+00



FILE NAME =	USER NAME = laughlinr1	DESIGNED - MJS	REVISED -
#FILEABBREV#		DRAWN -	REVISED -
THE UPCHURCH GROUP, INC.	PLOT SCALE = 100.000' / IN.	CHECKED -	REVISED -
	PLOT DATE = Feb-06-2009 09:54:44PM	DATE - FEB 2008	REVISED -

**STATE OF ILLINOIS
DEPARTMENT OF TRANSPORTATION**

**ALIGNMENT SCHEMATIC
ILLINOIS ROUTE 9 DALLAS CITY TO LA HARPE**

SCALE: SHEET NO. OF SHEETS STA. 625+00 TO STA. 655+00

F.A.P. RTE.	SECTION	COUNTY	TOTAL SHEETS	SHEET NO.
685	D-6 Resurfacing 2011-1	Hancock	44	26
FED. ROAD DIST. NO. 5 ILLINOIS FED. AID PROJECT			CONTRACT NO. 72983	