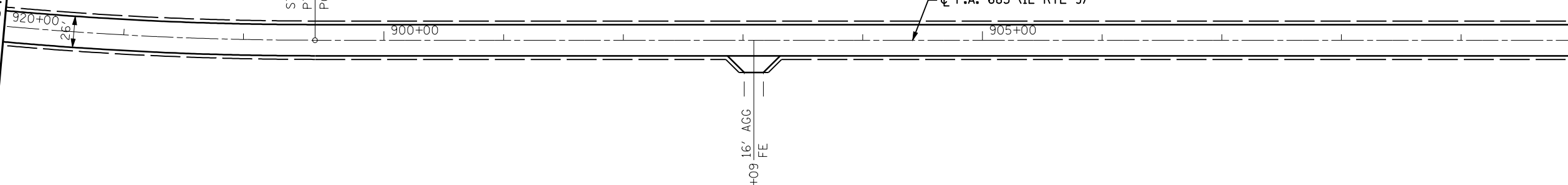


MATCH LINE STA 920+00

MATCH LINE STA 910+00

STATION EQUATION
PT STA 922+59.86 BK =
POT STA 899+42.64 AH

☐ F.A. 685 (IL RTE 9)



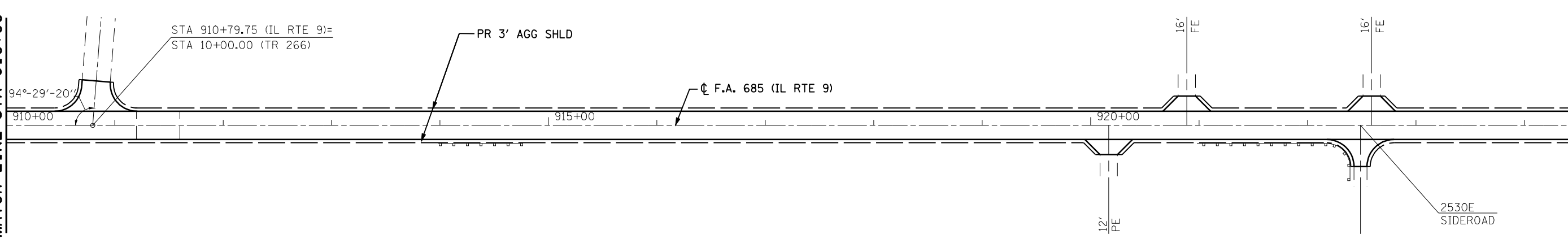
MATCH LINE STA 910+00

MATCH LINE STA 925+00

STA 910+79.75 (IL RTE 9) =
STA 10+00.00 (TR 266)

PR 3' AGG SHLD

☐ F.A. 685 (IL RTE 9)



FILE NAME =
FILEABBREV
THE UPCHURCH GROUP, INC.

USER NAME = laughlinr1
PLOT SCALE = 100.000' / IN.
PLOT DATE = Feb-06-2009 08:09:08 AM

DESIGNED - MJS
DRAWN - RMH
CHECKED -
DATE - FEB 2008

REVISED -
REVISED -
REVISED -
REVISED -

**STATE OF ILLINOIS
DEPARTMENT OF TRANSPORTATION**

**ALIGNMENT SCHEMATIC
ILLINOIS ROUTE 9 DALLAS CITY TO LA HARPE**

SCALE: 1"=50' SHEET NO. OF SHEETS STA. 920+00 TO STA. 925+00

F.A.P. RTE.	SECTION	COUNTY	TOTAL SHEETS	SHEET NO.
685	D-6 Resurfacing 2011-1	Hancock	44	36
FED. ROAD DIST. NO. 5 ILLINOIS FED. AID PROJECT			CONTRACT NO. 72983	