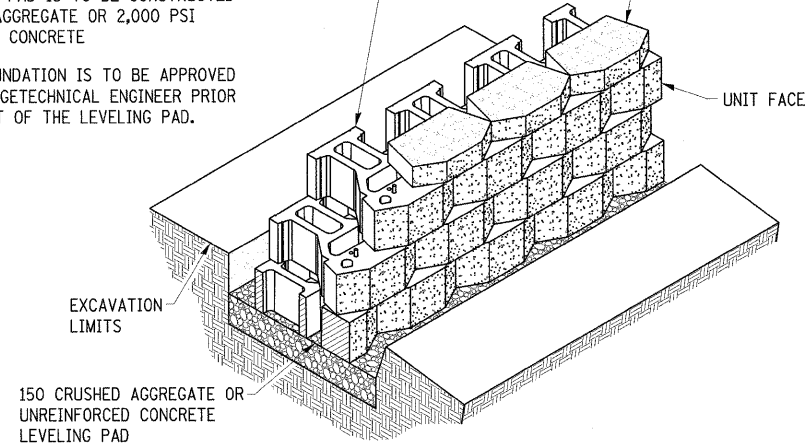


F.A.P. RTE.	SECTION	COUNTY	TOTAL SHEETS	SHEET NO.
781	2ZRS-1	CRAWFORD	191	71
STA.		TO STA.		
FED. ROAD DIST. NO.		ILLINOIS	FED. AID PROJECT	

BASE LEVELING PAD NOTES

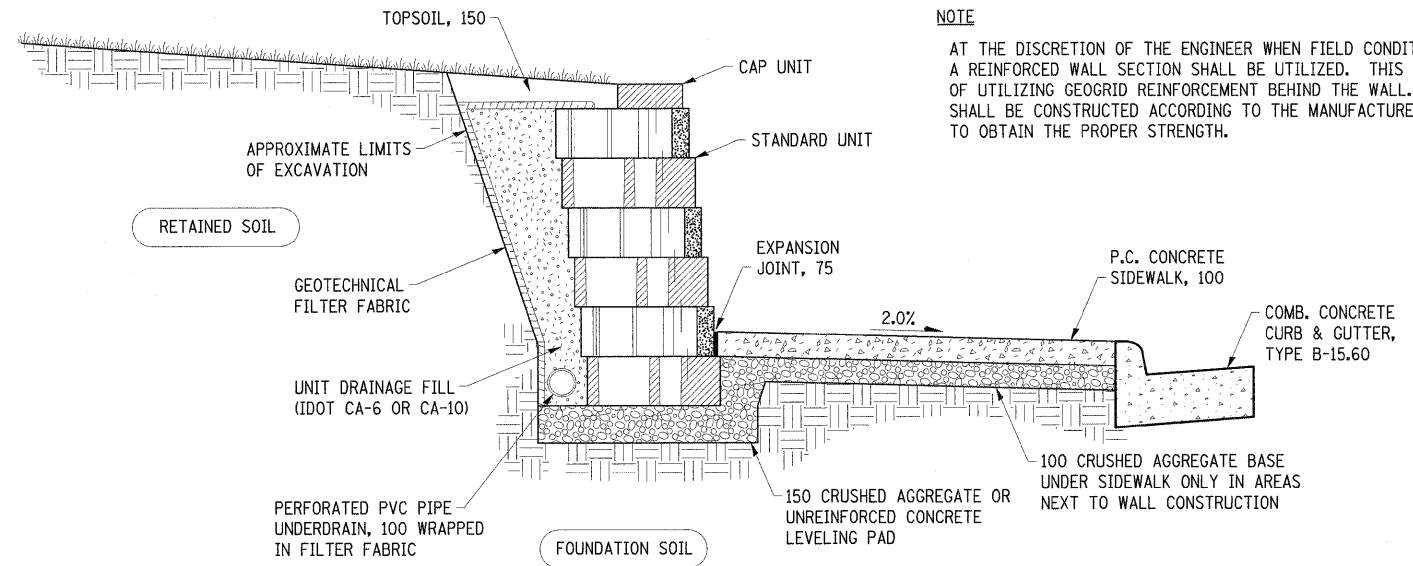
1. THE LEVELING PAD IS TO BE CONSTRUCTED OF CRUSHED AGGREGATE OR 2,000 PSI UNREINFORCED CONCRETE
2. THE BASE FOUNDATION IS TO BE APPROVED BY THE SITE GETECHNICAL ENGINEER PRIOR TO PLACEMENT OF THE LEVELING PAD.

STANDARD UNIT	CAP UNIT
WIDTH: 457mm (18")	WIDTH: 457mm (18")
DEPTH: 546mm (21.5")	DEPTH: 267mm (10.5")
HEIGHT: 204mm (8")	HEIGHT: 102mm (4")
WEIGHT: 52.3kg (115lbs)	WEIGHT: 20.5kg (45lbs)



STANDARD UNIT/BASE PAD ISOMETRIC SECTION VIEW

Unit Dimensions & Weight May Vary by Region

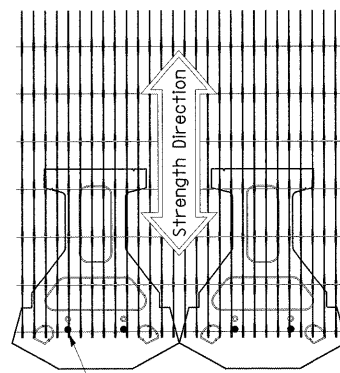


NOTE

AT THE DISCRETION OF THE ENGINEER WHEN FIELD CONDITIONS WARRANT, A REINFORCED WALL SECTION SHALL BE UTILIZED. THIS SHALL CONSIST OF UTILIZING GEOGRID REINFORCEMENT BEHIND THE WALL. THE GEOGRID SHALL BE CONSTRUCTED ACCORDING TO THE MANUFACTURERS SPECIFICATIONS TO OBTAIN THE PROPER STRENGTH.

TYPICAL GRAVITY WALL SECTION

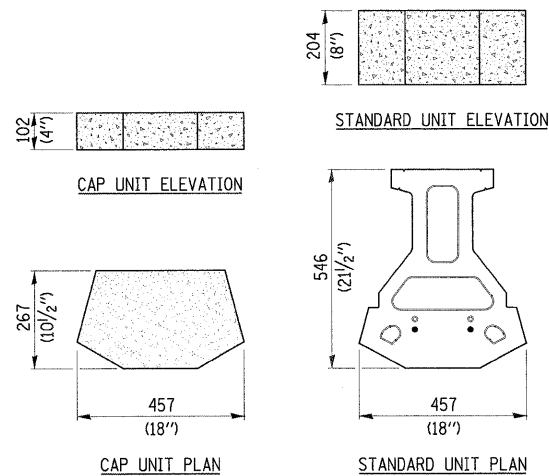
Standard Unit - 25mm (1") Setback



GEOGRID IS TO BE PLACED ON LEVEL BACKFILL AND EXTENDED OVER THE FIBERGLASS PINS. PLACE NEXT UNIT. PULL GRID TAUGHT AND BACKFILL. STAKE AS REQUIRED

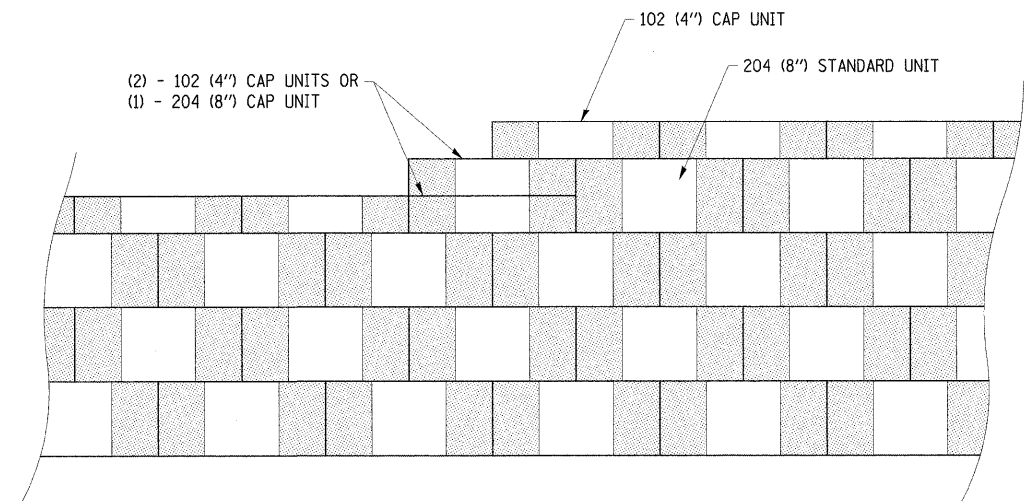
GRID & PIN CONNECTION

If Required Due to Soil Conditions



STANDARD TRI-PLANE UNIT/CAP DETAILS

Unit Dimensions & Weight May Vary by Region



TOP OF WALL STEP DETAIL

Unit Dimensions & Weight May Vary by Region

ALL DIMENSIONS ARE IN MILLIMETERS UNLESS OTHERWISE SHOWN.

REVISIONS		ILLINOIS DEPARTMENT OF TRANSPORTATION
NAME	DATE	
		MODULAR RETAINING WALL DETAILS SCALE NO SCALE DRAWN BY EDW DATE FEBRUARY 6, 2009 CHECKED BY LWJ

PLOT DATE = 2/5/2009 FILE NAME = H:\4420\Contract 74349\SHI_071_model\detail.dgn

H. M. & G. NO. 4420