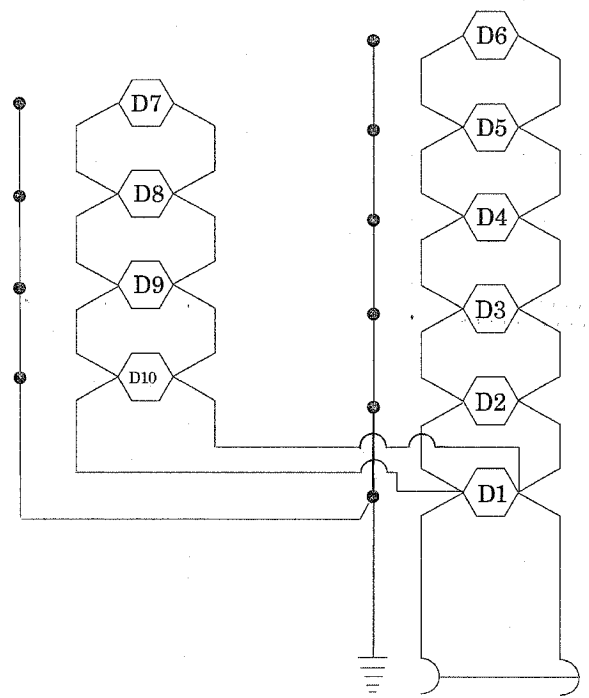
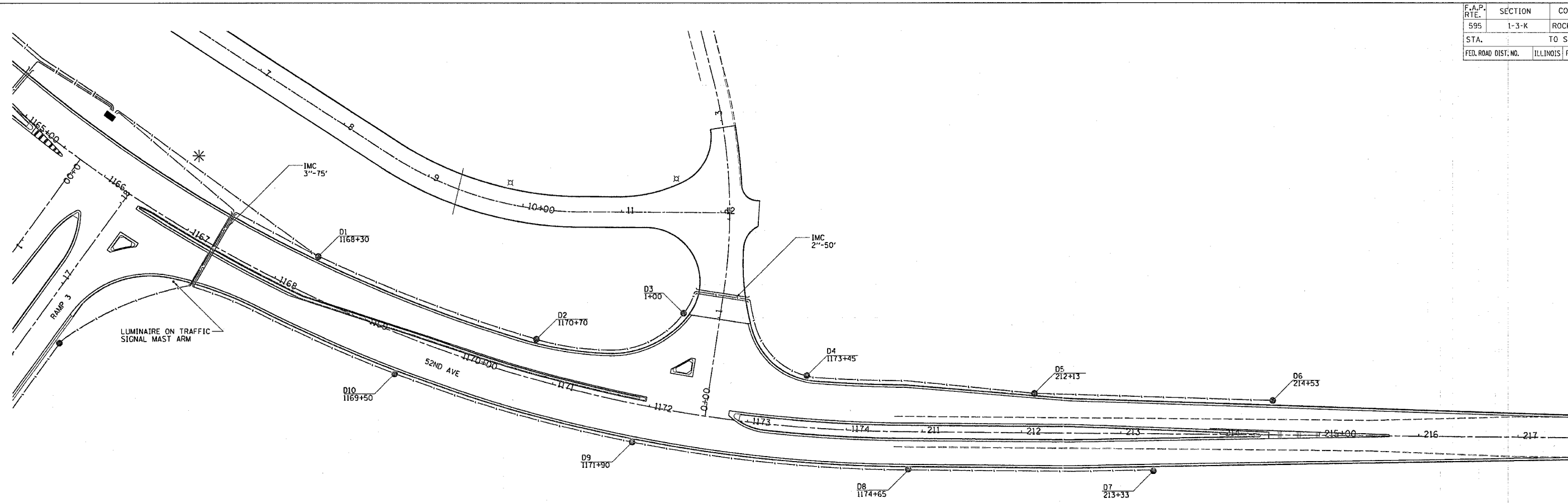


F.A.P. RTE.	SECTION	COUNTY	TOTAL SHEETS	SHEET NO.
595	1-3-K	ROCK ISLAND	476	226
STA.		TO STA.		
FED. ROAD DIST. NO.		ILLINOIS FED. AID PROJECT		



CIRCUIT D

- LEGEND**
- LIGHT POLE ALUMINUM, 40' M.H., 15' DAVIT ARM WITH 250 WATT HPS HORIZONTAL MOUNT LUMINAIRE
 - ⊗ LIGHT POLE ALUMINUM, 35' M.H., 12' DAVIT ARM- TWIN WITH 250 WATT HPS HORIZONTAL MOUNT LUMINAIRE (CIRCUIT C ONLY) MEDIAN MOUNTED
 - || CONDUIT PUSHED, INTERMEDIATE METAL (SIZE AND LENGTH AS SHOWN)
 - UNIT DUCT, 2 *8XLP & 1 *8XLP IN 3/4" POLYETHYLENE (UNLESS OTHERWISE SHOWN)
 - ⊞ LIGHTING CONTROLLER CB-RCS-100-480 & ELECTRIC SERVICE INSTALLATION
 - * ALL PARALLEL RUNS OF UNIT DUCT ARE IN THE SAME TRENCH



NOTE:
 OFFSET PLACEMENT OF LIGHT POLES SHALL BE AS A RESULT OF THE LUMINAIRE BEING IN LINE WITH THE EDGE OF PAVEMENT OR AS DIRECTED BY THE ENGINEER.
 QUANTITY OF THE "BREAKAWAY DEVICE, COUPLING, SS SCREEN" MAY BE REDUCED WHERE LIGHT POLES ARE PLACED BEHIND GUARDRAIL OR AS DIRECTED BY THE ENGINEER.

PLOT DATE = Wed Dec 22 12:58:39 2004
 FILE NAME = C:\Documents and Settings\Nouhouk\My Documents\10175804\10175804.dgn
 PLOT SCALE = 50:1
 REFERENCE = SHEET

50 SCALE