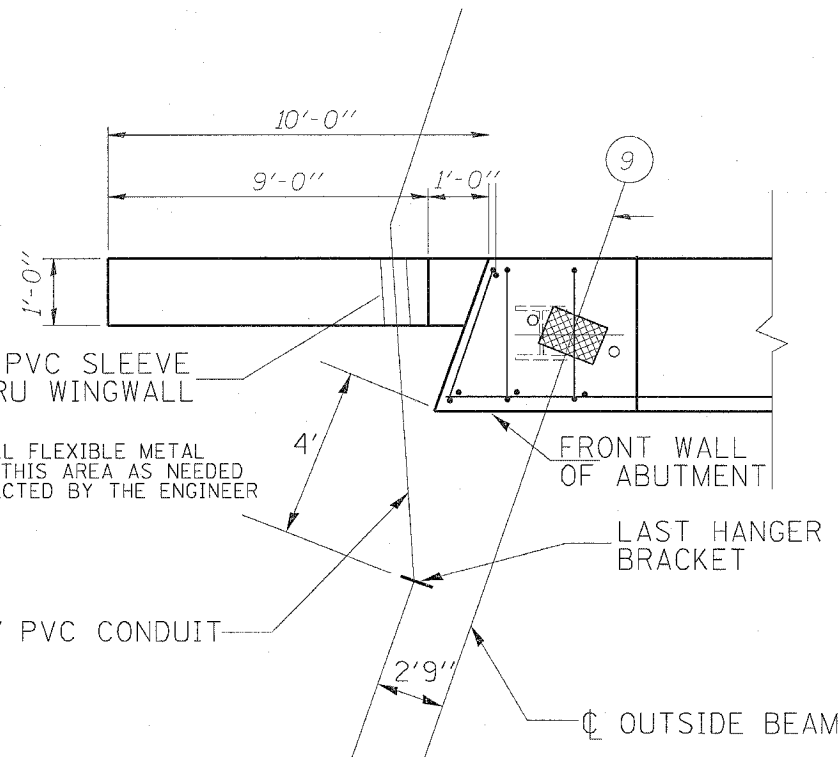


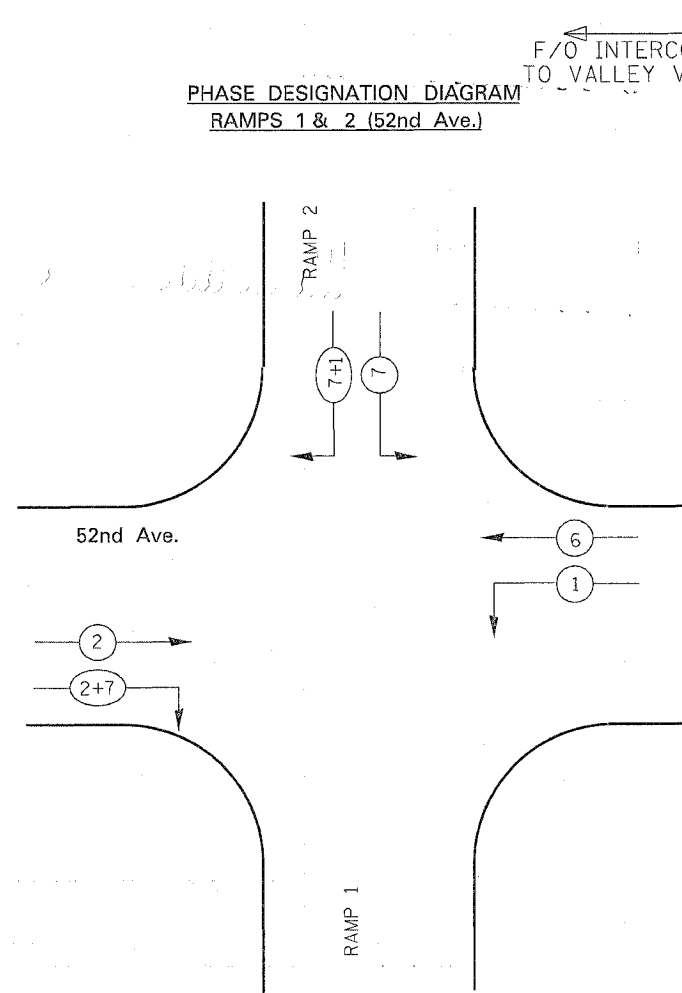
2" CONDUIT HANGER ATTACHED BY EXPANSION ANCHOR TO BOTTOM OF PARAPET



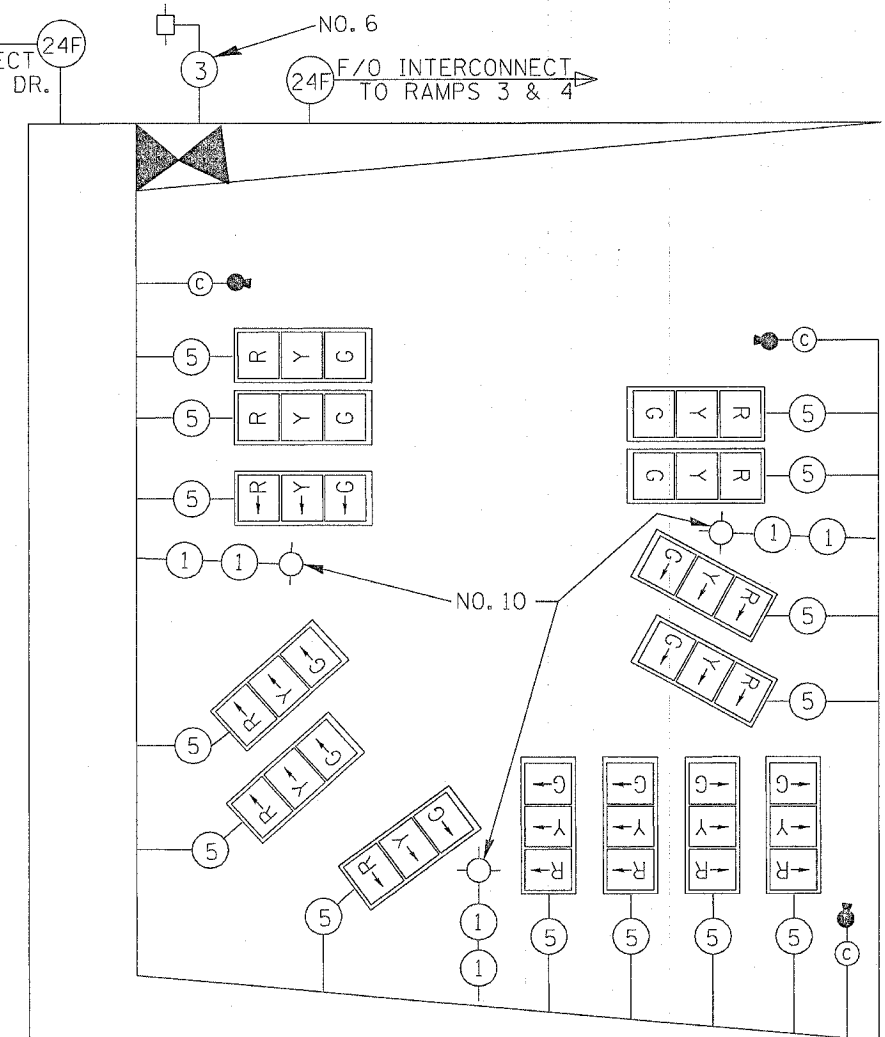
DETAILS GALVANIZED STEEL CONDUIT ATTACHED TO STRUCTURE

NOTE: INSTALL FLEXIBLE METAL CONDUIT IN THIS AREA AS NEEDED AND AS DIRECTED BY THE ENGINEER

PHASE DESIGNATION DIAGRAM  
RAMPS 1 & 2 (52nd Ave.)



WIRING DIAGRAM RAMPS 1 & 2



"C" DENOTES COAXIAL AND OTHER NECESSARY CABLES FOR VIDEO DETECTION  
"G" DENOTES 1C NO. 6 GROUNDING CABLE TO CONNECT ALL MAST ARMS AND THE CONTROLLER TO THE GROUNDING ROD IN THE DOUBLE HANDHOLE

NOTE: ONLY ONE(1) METER MAY BE MOUNTED ON A POWER POLE UNLESS OTHERWISE ALLOWED BY MID AMERICAN ENERGY. THE CONTRACTOR SHALL ARRANGE FOR OTHER MOUNTING OPTIONS AS DIRECTED AND APPROVED BY THE ENGINEER. COST INCLUDED IN SERVICE INSTALLATION, TYPE A, (MODIFIED)