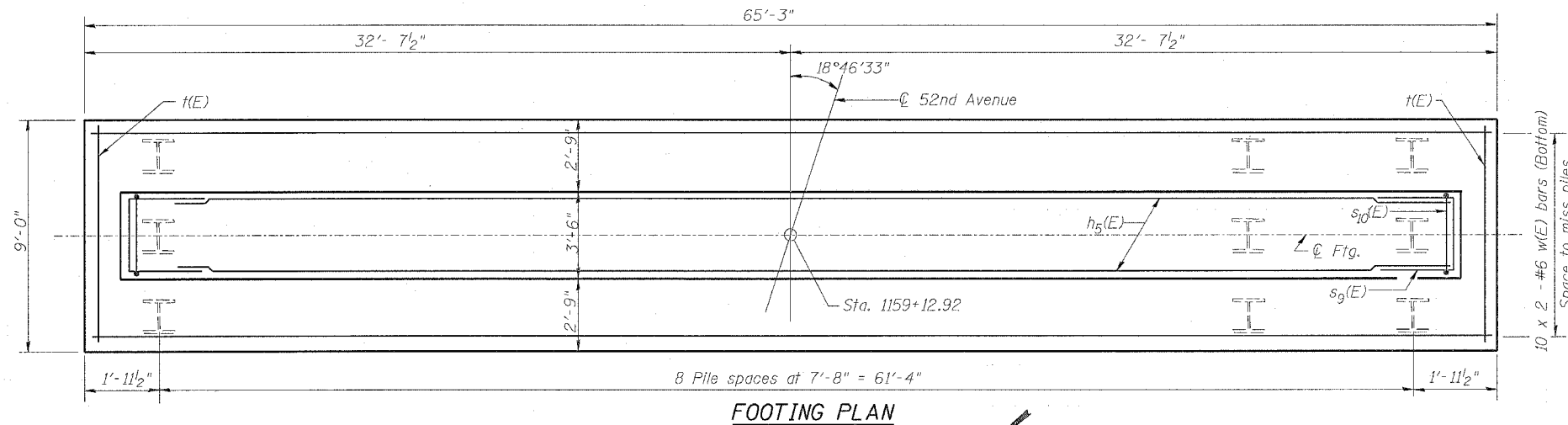
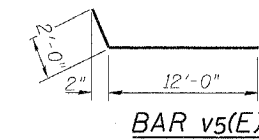


STATE OF ILLINOIS
DEPARTMENT OF TRANSPORTATION

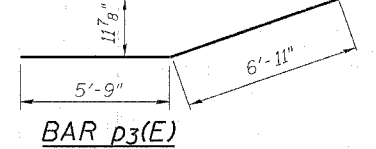
| | | | | |
|-----------------------|----------|-------------------|-------|-----------|
| ROUTE NO. | SECTION | COUNTY | SHEET | SHEET NO. |
| F.A.P. 595 | 1-3-K | Rock Island | 476 | 270 |
| FED. ROAD DIST. NO. 7 | ILLINOIS | FED. AID PROJECT- | | 22 SHEETS |



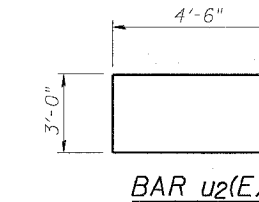
FOOTING PLAN



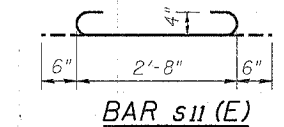
BAR v5(E)



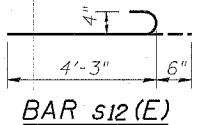
BAR p3(E)



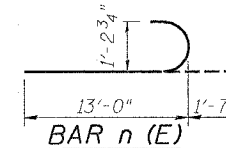
BAR u2(E)



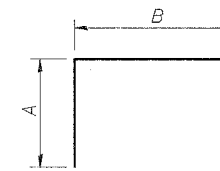
BAR s11(E)



BAR s12(E)



BAR n(E)



BARS

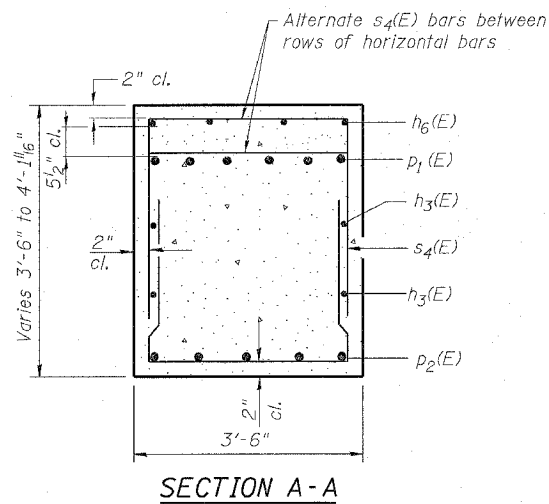
s4(E) thru s10(E)

A & B DIMENSIONS

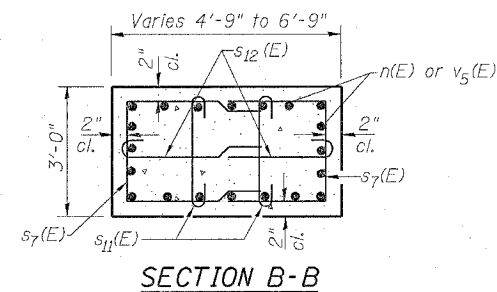
| Bar | A | B |
|--------|--------|-------|
| s4(E) | 3'-0" | 3'-2" |
| s5(E) | 2'-2" | 3'-2" |
| s6(E) | 2'-8" | 3'-2" |
| s7(E) | 4'-5" | 2'-8" |
| s8(E) | 4'-0" | 3'-2" |
| s9(E) | 4'-6" | 3'-2" |
| s10(E) | 4'-10" | 3'-2" |

BILL OF MATERIAL

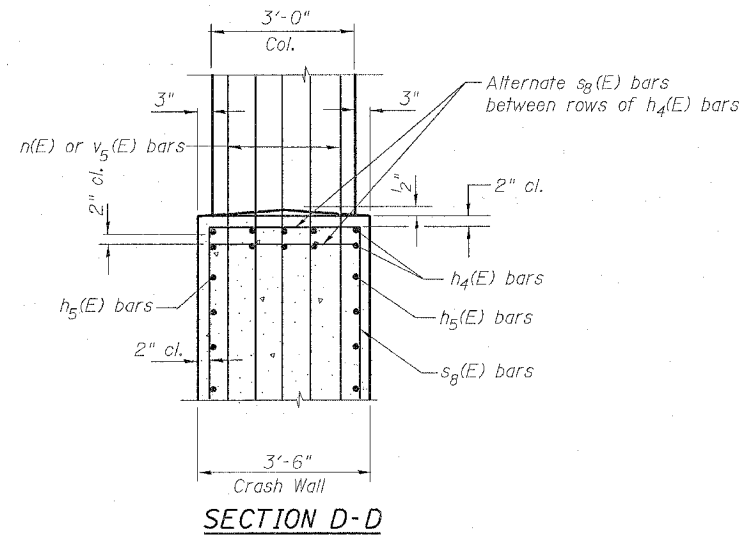
| Bar | No. | Size | Length | Shape |
|----------------------------------|-----|---------|---------|-------|
| h3(E) | 8 | #5 | 39'-7" | — |
| h4(E) | 20 | #9 | 34'-4" | — |
| h5(E) | 20 | #6 | 32'-9" | — |
| h6(E) | 4 | #5 | 26'-1" | — |
| n(E) | 100 | #11 | 14'-7" | C |
| p1(E) | 12 | #11 | 42'-11" | — |
| p2(E) | 10 | #9 | 34'-4" | — |
| p3(E) | 10 | #9 | 12'-8" | — |
| p4(E) | 12 | #11 | 19'-10" | — |
| s4(E) | 218 | #6 | 9'-2" | □ |
| s5(E) | 28 | #6 | 7'-6" | □ |
| s6(E) | 28 | #6 | 8'-6" | □ |
| s7(E) | 130 | #5 | 11'-6" | □ |
| s8(E) | 64 | #6 | 11'-2" | □ |
| s9(E) | 12 | #5 | 12'-2" | □ |
| s10(E) | 64 | #6 | 12'-10" | □ |
| s11(E) | 130 | #4 | 3'-8" | C |
| s12(E) | 130 | #4 | 4'-9" | C |
| t(E) | 100 | #7 | 8'-8" | — |
| u2(E) | 6 | #6 | 12'-0" | — |
| v5(E) | 100 | #11 | 14'-0" | — |
| w(E) | 20 | #6 | 33'-9" | — |
| Structure Excavation | | Cu. Yd. | 100 | |
| Concrete Structures | | Cu. Yd. | 161.5 | |
| Reinforcement Bars, Epoxy Coated | | Pound | 35,860 | |
| Furnishing Steel Piles HP 10x57 | | Foot | 806 | |
| Driving Steel Piles | | Foot | 806 | |
| Metal Shoes | | Each | 26 | |
| Test Pile Steel HP 10x57 | | Each | 1 | |



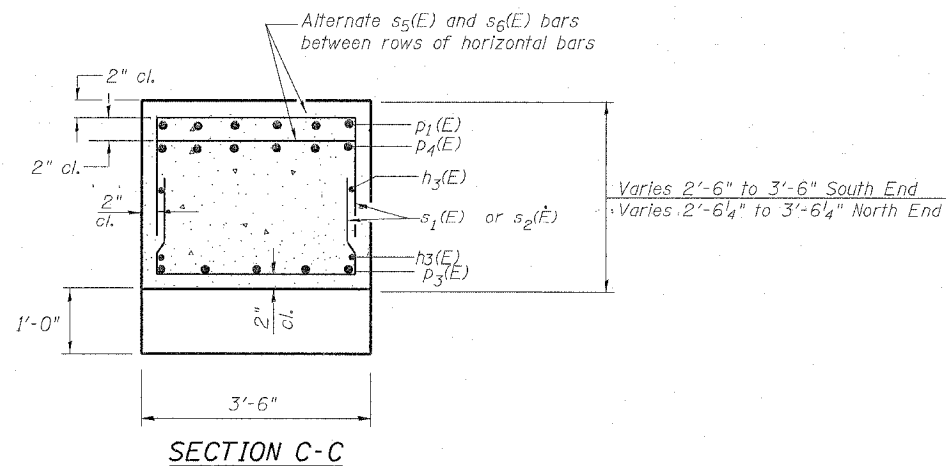
SECTION A-A



SECTION B-B



SECTION D-D



SECTION C-C

| | |
|----------|-----|
| DESIGNED | JDC |
| CHECKED | JBF |
| DRAWN | RAP |
| CHECKED | JBF |

Reinforcement Bars designated (E) shall be epoxy coated.

PIER DETAILS

52nd AVE. OVER MILAN BELTWAY
FAU ROUTE 5822 SECTION 1-3
ROCK ISLAND COUNTY
STATION 1159+12.92
STRUCTURE NO. 081-0156