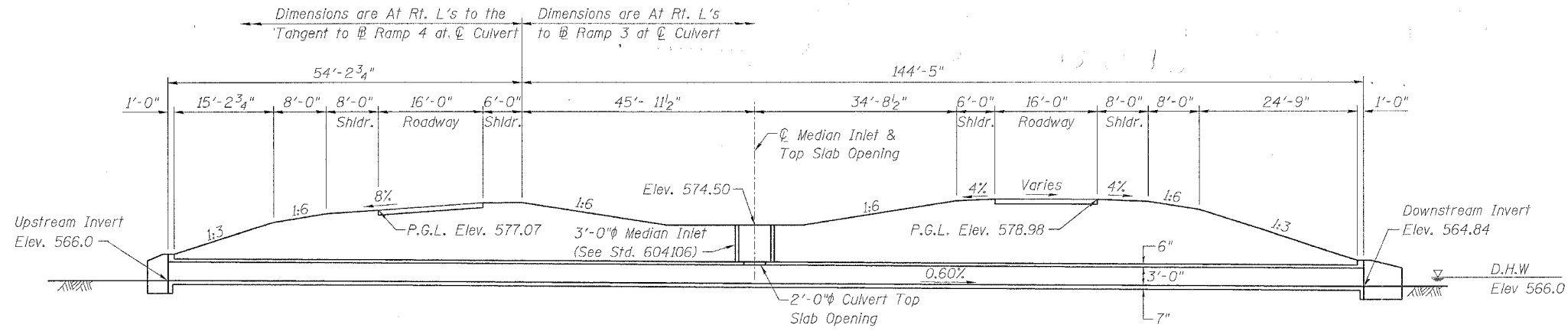
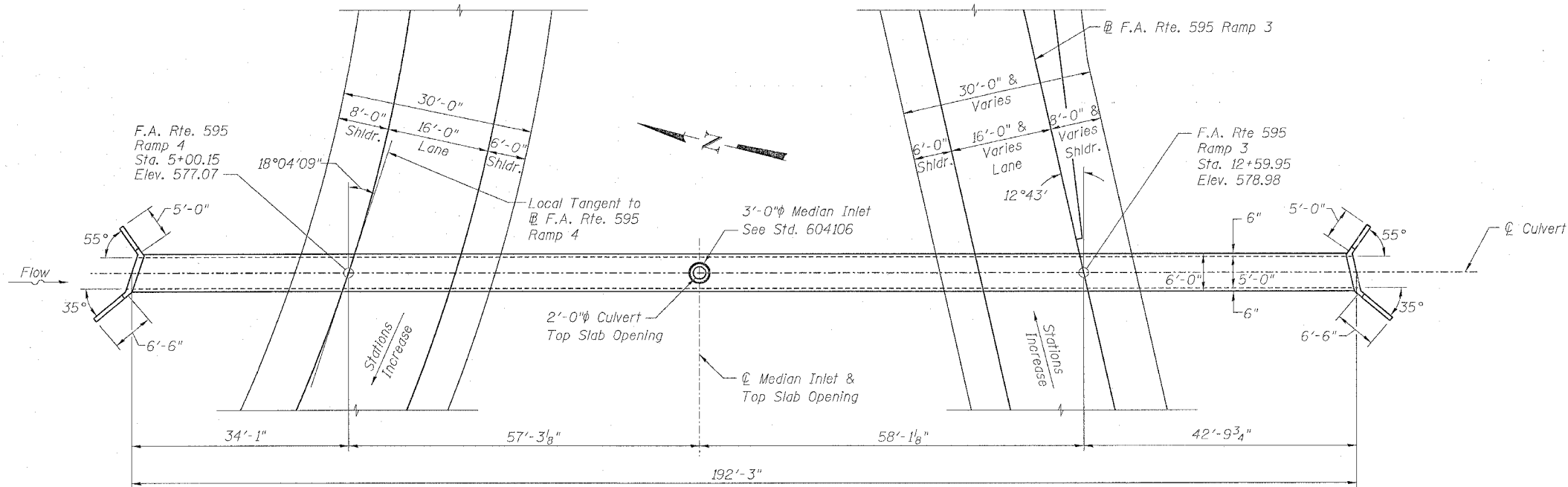


STATE OF ILLINOIS  
DEPARTMENT OF TRANSPORTATION

ROUTE NO.	SECTION	COUNTY	TOTAL SHEETS	SHEET NO.
F.A.P. 595	1-3-K	Rock Island	476	288
FED. ROAD DIST. NO. 7	ILLINOIS	FED. AID PROJECT		2 SHEETS



**LONGITUDINAL SECTION**



**PLAN**

**WATERWAY INFORMATION**

Drainage Area = 7.3 Acres Low Grade Elev. 571, 573.4 @ Sta. 8+25.5, 9+56.55 (Ramp 4&3)

Flood	Freq. Yr.	Q C.F.S.	Opening Sq. Ft.		Nat. H.W.E.	Head - Ft.		Headwater El.	
			Exist.	Prop.		Exist.	Prop.	Exist.	Prop.
Design	50	27.3	-	10.0	566.0	-	2.0	-	568.0
Base	100	31.3	-	11.5	566.0	-	2.3	-	568.3
Overtopping	-	-	-	-	-	-	-	-	-
Max. Calc.	500	N/A	-	-	-	-	-	-	-

**DESIGN STRESSES**

$t_y = 60,000$  psi (Reinforcement)  
 $f'_c = 3,500$  psi

**LOADING HS 20-44 & ALT.**

DESIGNED	JDC
CHECKED	BDF
DRAWN	RAP
CHECKED	BDF

**5'-0" x 3'-0" R.C. BOX CULVERT**  
**52nd AVENUE RAMP 3**  
**FA ROUTE 595 SECTION 1-3-K**  
**ROCK ISLAND COUNTY**  
**STATION 12+59.95**