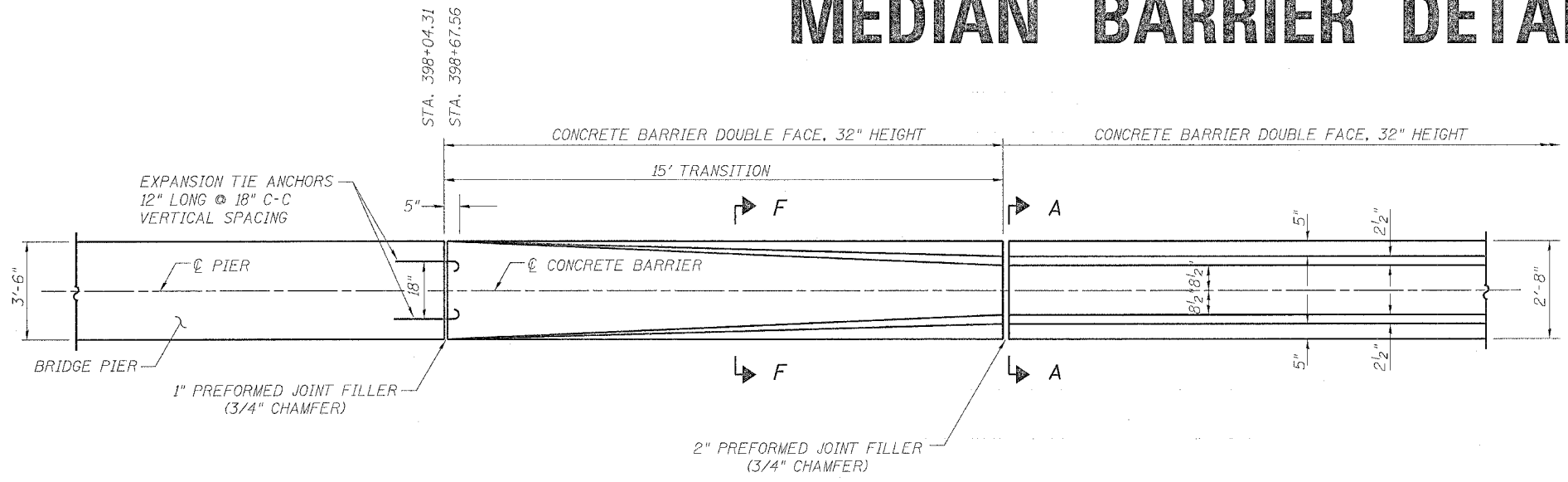
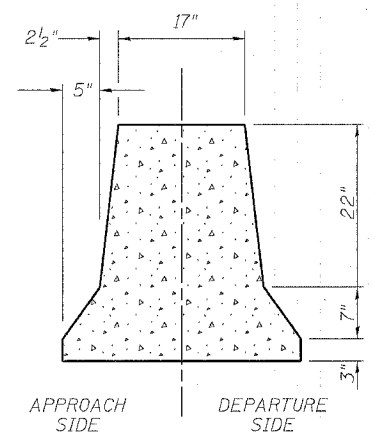


F.A.P. RTE.	SECTION	COUNTY	TOTAL SHEETS	SHEET NO.
595	1-3-K	ROCK ISLAND	476	314
STA.		TO STA.		
FED. ROAD DIST. NO.		ILLINOIS FED. AID PROJECT		

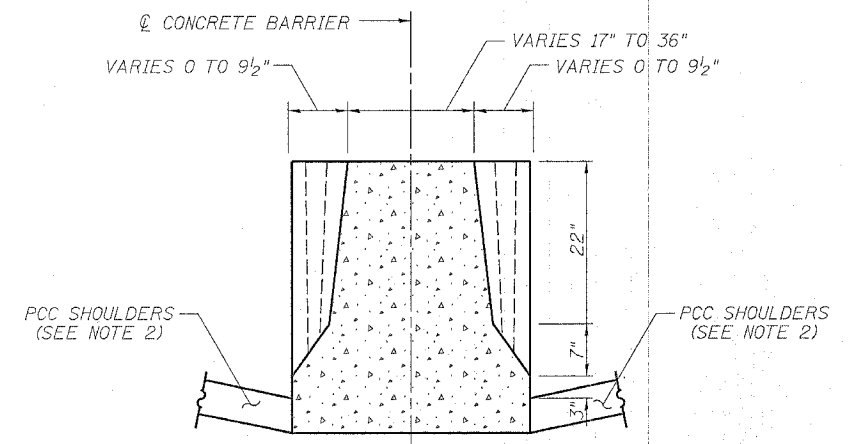
# MEDIAN BARRIER DETAILS



PLAN



SECTION A-A



SECTION F-F

**NOTES:**

- 1) FOR ADDITIONAL CONCRETE BARRIER DETAILS SEE CONCRETE BARRIER TYPICAL SECTIONS SHEET AND STANDARD 637001
- 2) FOR ADDITIONAL SHOULDER DETAILS SEE SHOULDER DETAILS SHEET AND STANDARD.
- 3) FURNISHING AND INSTALLING THE PREFORMED JOINT FILLER OF THE SIZE SPECIFIED SHALL BE INCLUDED IN THE COST OF THE CONCRETE BARRIER OF THE TYPE INVOLVED
- 4) FURNISHING AND INSTALLING THE 12 EXPANSION TIE ANCHORS SHALL BE INCLUDED IN THE COST OF THE CONCRETE BARRIER OF THE TYPE INVOLVED
- 5) THE BARRIER TRANSITION SHALL BE PAID FOR AT THE CONTRACT UNIT PRICE BID PER FOOT FOR CONCRETE BARRIER DOUBLE FACE, 32" HEIGHT

MEDIAN BARRIER TRANSITION  
 FAU ROUTE 5822 SECTION 1-3-K  
 ROCK ISLAND COUNTY