

F.A.P. RTE.	SECTION	COUNTY	TOTAL SHEETS	SHEET NO.
B40	(139Z-1)I	KANKAKEE	24	15
STA.	TO STA.			
FED. ROAD DIST. NO.	ILLINOIS	FED. AID PROJECT		

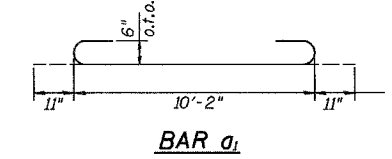
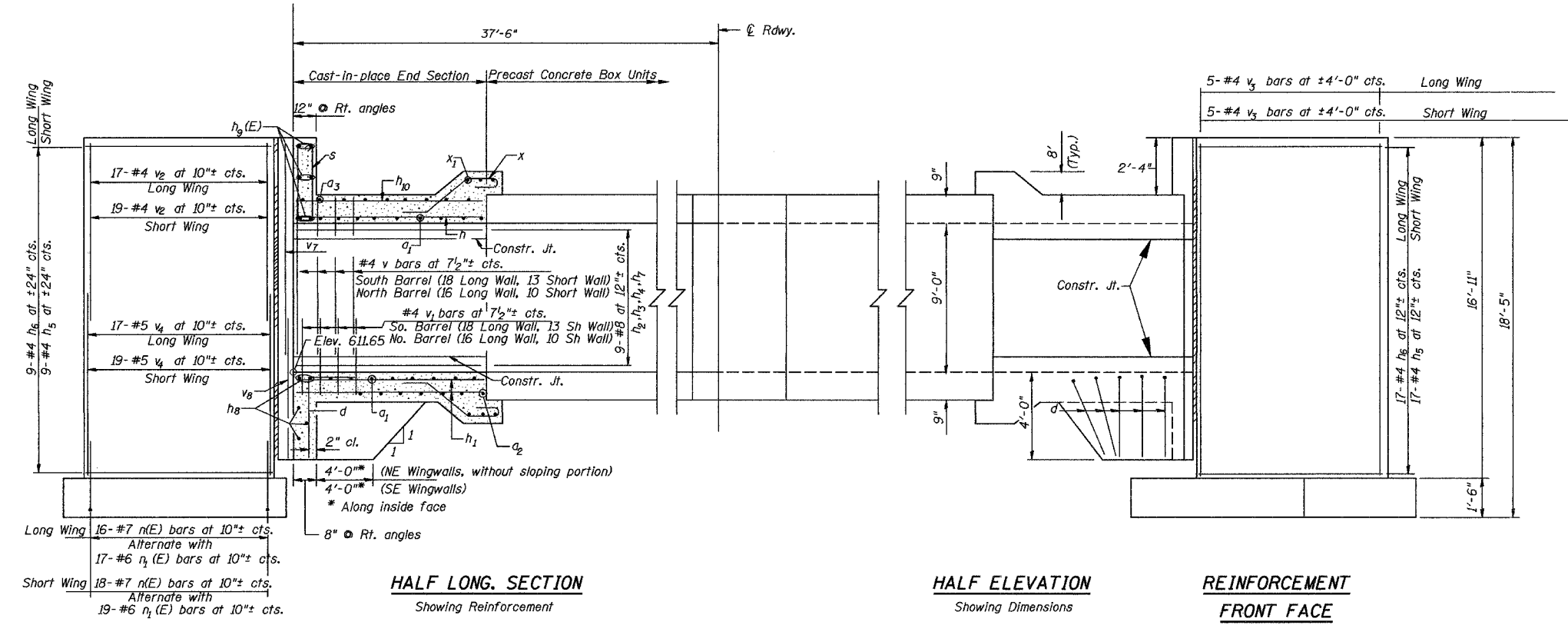
CONTRACT# 66131

BILL OF MATERIALS*

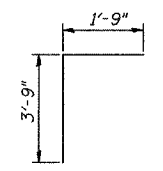
Bar	No.	Size	Length	Shape
a ₁	54	#8	12'-0"	U
a ₂	9	#4	9'-3"	U
a ₃	11	#5	9'-3"	U
d	27	#4	5'-6"	U
n(E)	34	#7	7'-6"	U
n ₁ (E)	36	#6	3'-10"	U
h	20	#7	10'-3"	U
h ₁	36	#5	10'-3"	U
h ₂	9	#6	9'-4"	U
h ₃	9	#6	7'-4"	U
h ₄	9	#6	10'-3"	U
h ₅	26	#4	13'-5"	U
h ₆	26	#4	13'-8"	U
h ₇	9	#6	6'-6"	U
h ₈	5	#6	20'-2"	U
h ₉ (E)	6	#8	22'-2"	U
h ₁₀	22	#4	10'-3"	U
i	71	#6	9'-7"	U
v	57	#4	9'-1"	U
v ₁	57	#4	2'-4"	U
v ₂	36	#4	10'-0"	U
v ₃	10	#4	16'-7"	U
v ₄	36	#5	8'-3"	U
v ₇	4	#5	11'-3"	U
v ₈	4	#5	6'-3"	U
w	18	#5	13'-8"	U
w ₁	18	#5	13'-5"	U
x	64	#4	5'-6"	U
x ₁	12	#4	16'-1"	U
s	23	#4	7'-9"	U
ESTIMATED CONCRETE			48.1 CY	

*INFORMATION GIVEN IN TABLE IS FOR INFORMATION ONLY

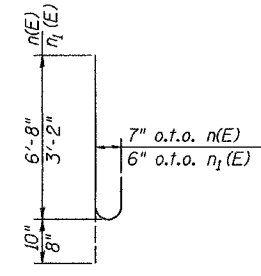
Reinforcement bars designated (E) shall be epoxy coated.



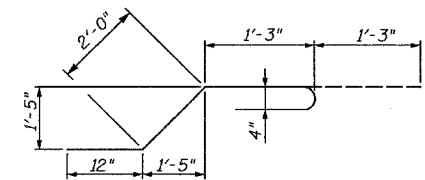
BAR a₁



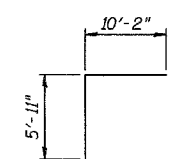
BAR d



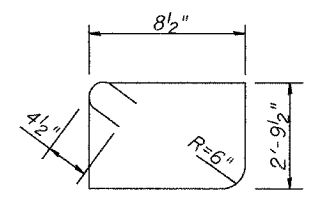
BARS n(E) AND n₁(E)



BAR x



BAR x₁



HALF LONG. SECTION
Showing Reinforcement

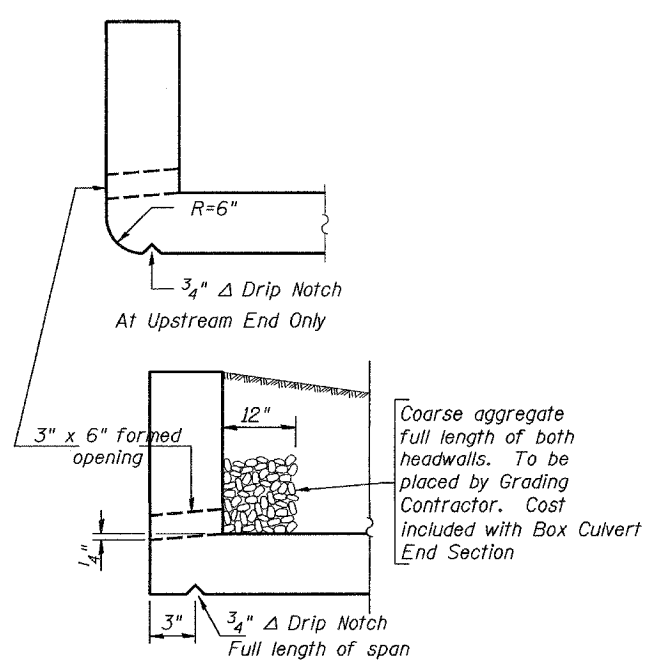
HALF ELEVATION
Showing Dimensions

REINFORCEMENT FRONT FACE

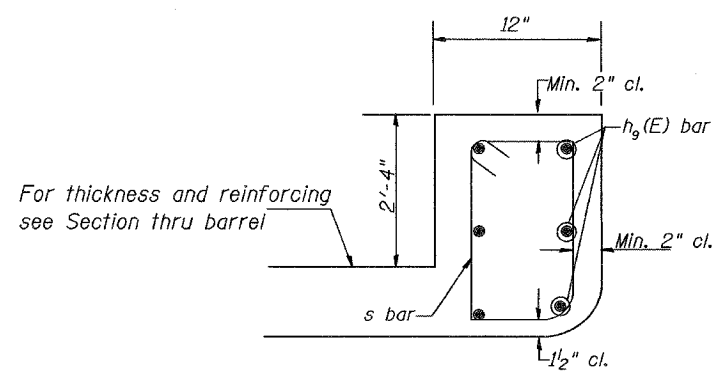
Note: Dimensions shown are along \hat{C} Culvert, U.N.O.

REINFORCEMENT BACK FACE

Long Wing 16-#7 n(E) bars at 10"± cts.
Alternate with 17-#6 n₁(E) bars at 10"± cts.
Short Wing 18-#7 n(E) bars at 10"± cts.
Alternate with 19-#6 n₁(E) bars at 10"± cts.



DRAIN DETAIL



SECTION D-D

For thickness and reinforcing see Section thru barrel

January 31, 2005
ep05899/sheets.dgn

REVISIONS	
NAME	DATE
BDD	9/20/04
BDD	1/31/05

ILLINOIS DEPARTMENT OF TRANSPORTATION
BOX CULVERT END SECTION, SPECIAL, CULVERT NO. 1

SCALE: VERT. HORIZ.
DATE: DRAWN BY: CHECKED BY: